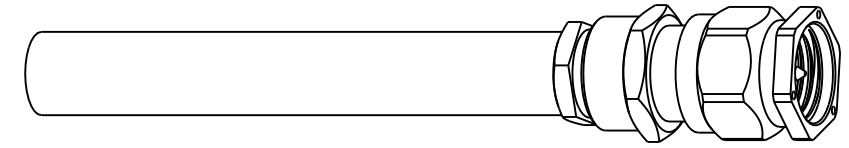


NOTES:

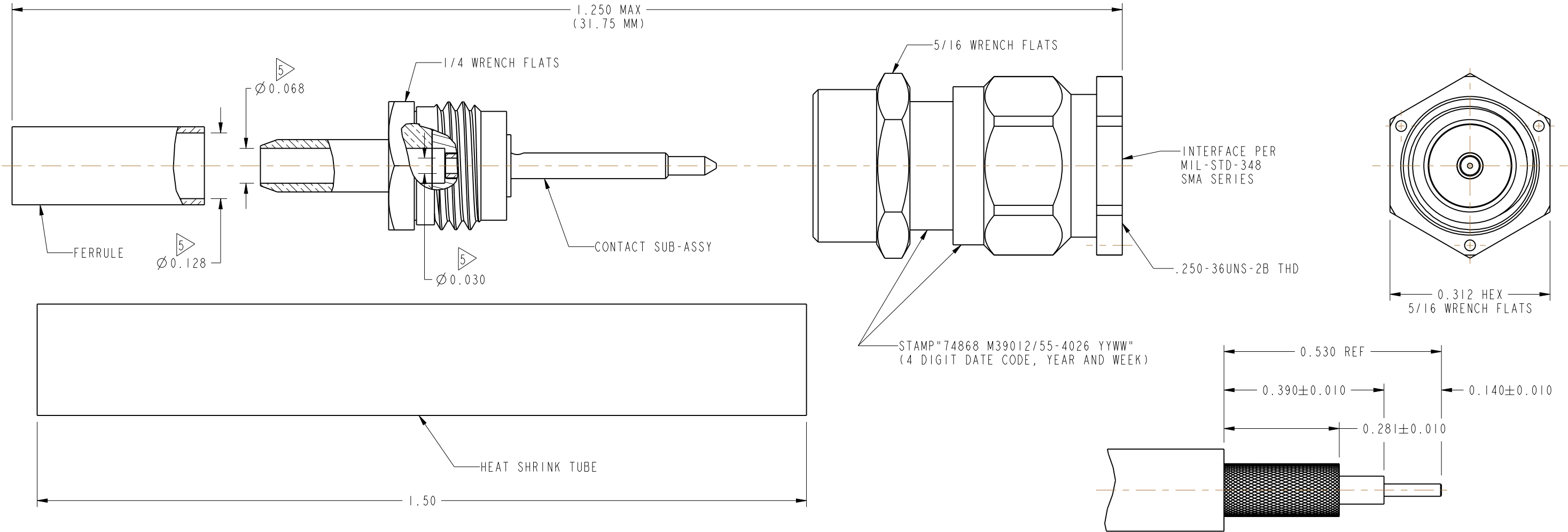
1. MATERIALS AND FINISHES:
 BODY - BRASS, GOLD PLATING
 CONTACT - BRASS, GOLD PLATING
 INSULATOR - PTFE
2. ELECTRICAL:
 A. IMPEDANCE: 50 OHM
 B. DIELECTRIC WITHSTANDING VOLTAGE: 1000 VRMS, MIN.
3. MECHANICAL:
 A. DURABILITY: 500 CYCLES MIN.
 B. TEMPERATURE RANGE: -65° C TO +165° C
4. PACKAGING:
 A. QUANTITY: SINGLE PACK
 B. MARKING: BAG TO BE MARKED
 "AMPHENOL RF, 901-155-16, AND DATE CODE"
5. SHOWS CABLE ENTRY DIMENSIONS.
6. FOR CABLE ASSEMBLY INSTRUCTIONS, SEE SHEET 17 OF AMPHENOL SPEC 349-50114.

| | | | | | |
|-------------------|-----|---------------------------|----------|-------|------|
| 901-155-16 | | REVISIONS | | | |
| DRAWING NO. | REV | DESCRIPTION | DATE | ECO | APPR |
| THIRD ANGLE PROJ. | -- | RELEASE TO MFG. | -- | -- | |
| | J | REDRAWN IN PRO-E, ADD COD | 7/14/11 | 48601 | BM |
| | K | ADD STAMPING TO COD | 11/15/11 | 48803 | CPM |

MIL-C-39012 INSPECTION



SCALE 2.000



RECOMMENDED CABLE STRIPPING DIMENSIONS

CUSTOMER OUTLINE DRAWING

ALL OTHER SHEETS ARE FOR INTERNAL USE ONLY

| | | | | | | |
|---|---|-------------------|-------------------|---|--|--------------|
| UNLESS OTHERWISE SPECIFIED, DIMENSIONS ARE IN INCHES AND TOLERANCES ARE: 2 PLACE DECIMAL ±.015 (0,381 mm) 3 PLACE DECIMAL ±.005 (0,127 mm) ANGLES ± 1° | MATERIAL SEE NOTES | DRAWN BALAJI M | DATE 22-Jun-09 | TITLE SMA STR PLUG CRIMP TYPE FOR RG-174/U & RG-316/U CABLES | Amphenol RF Danbury, CT, USA Tainan, Taiwan Shenzhen, China www.amphenolrf.com | |
| | REFERENCE DOR 313050-51 MIL-C-39012/55-4026 | ENGINEER | DATE | | | |
| NOTICE - These drawings, specifications, or other data (1) are, and remain the property of Amphenol Corp. (2) must be returned upon request; and (3) are confidential and not to be disclosed to any person other than those to whom they are given by Amphenol Corp. The furnishing of these drawings, specifications, or other data by Amphenol Corp., or to any other person to anyone for any purpose is not to be regarded by implication or otherwise in any manner licensing, granting rights or permitting such holder or any other person to manufacture, use or sell any product, process or design, patented or otherwise, that may in any way be related to or disclosed by said drawings, specifications, or other data. | APPROVED K. CAPOZZI | DATE 6/30/11 | | | | |
| | CAD FILE Root Folder/SMA/901-155-16 | CODE ID 74868 | DWG SIZE B | DRAWING NO. 901-155-16 | SCALE: 5.0:1 | SHEET 2 OF 2 |
| | | | | | | REV K |