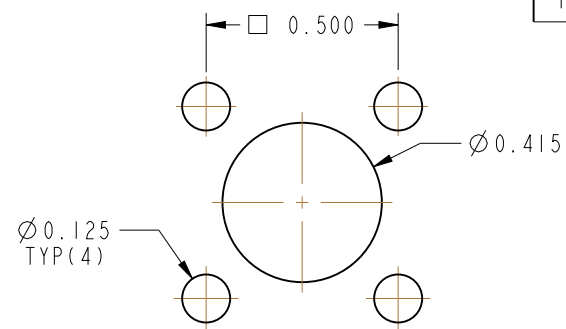


NOTES:

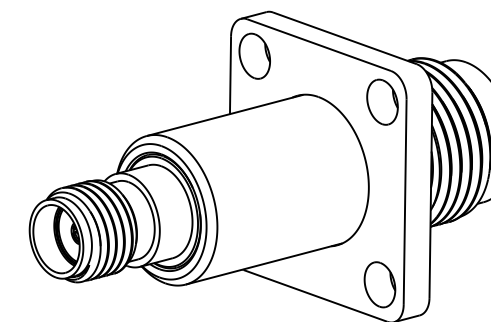
1. MATERIALS AND FINISHES:
 N BODY & FLANGE - BRASS, NICKEL PLATING
 SMA BODY, CONTACTS - BeCu, GOLD PLATING
 INSULATORS - PTFE, NATURAL
2. ELECTRICAL:
 A. IMPEDANCE: 50 OHM
3. MECHANICAL:
 A. DURABILITY: 500 CYCLES MIN.
 B. TEMPERATURE RANGE: -65° C TO +165° C
4. PACKAGING:
 A. QUANTITY: SINGLE PACK
 B. MARKING: BAG TO BE MARKED
 "AMPHENOL RF, 901-280, AND DATE CODE"

THIRD ANGLE PROJ.

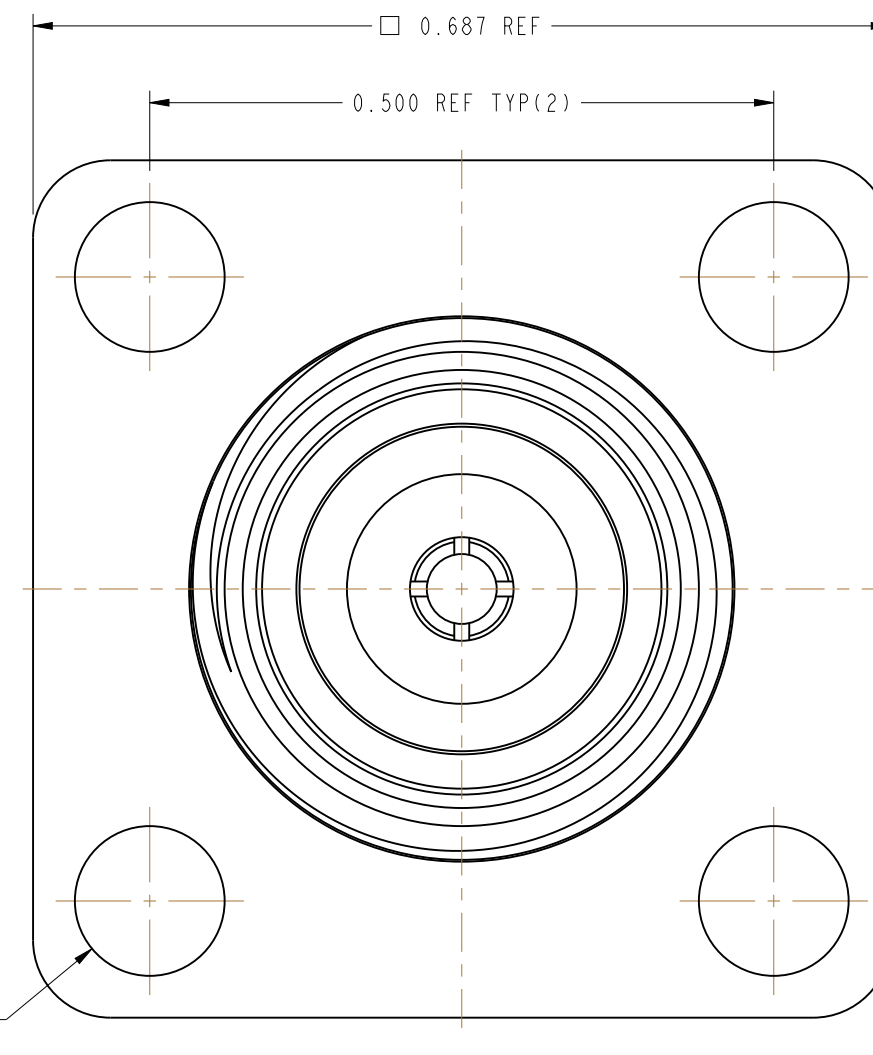
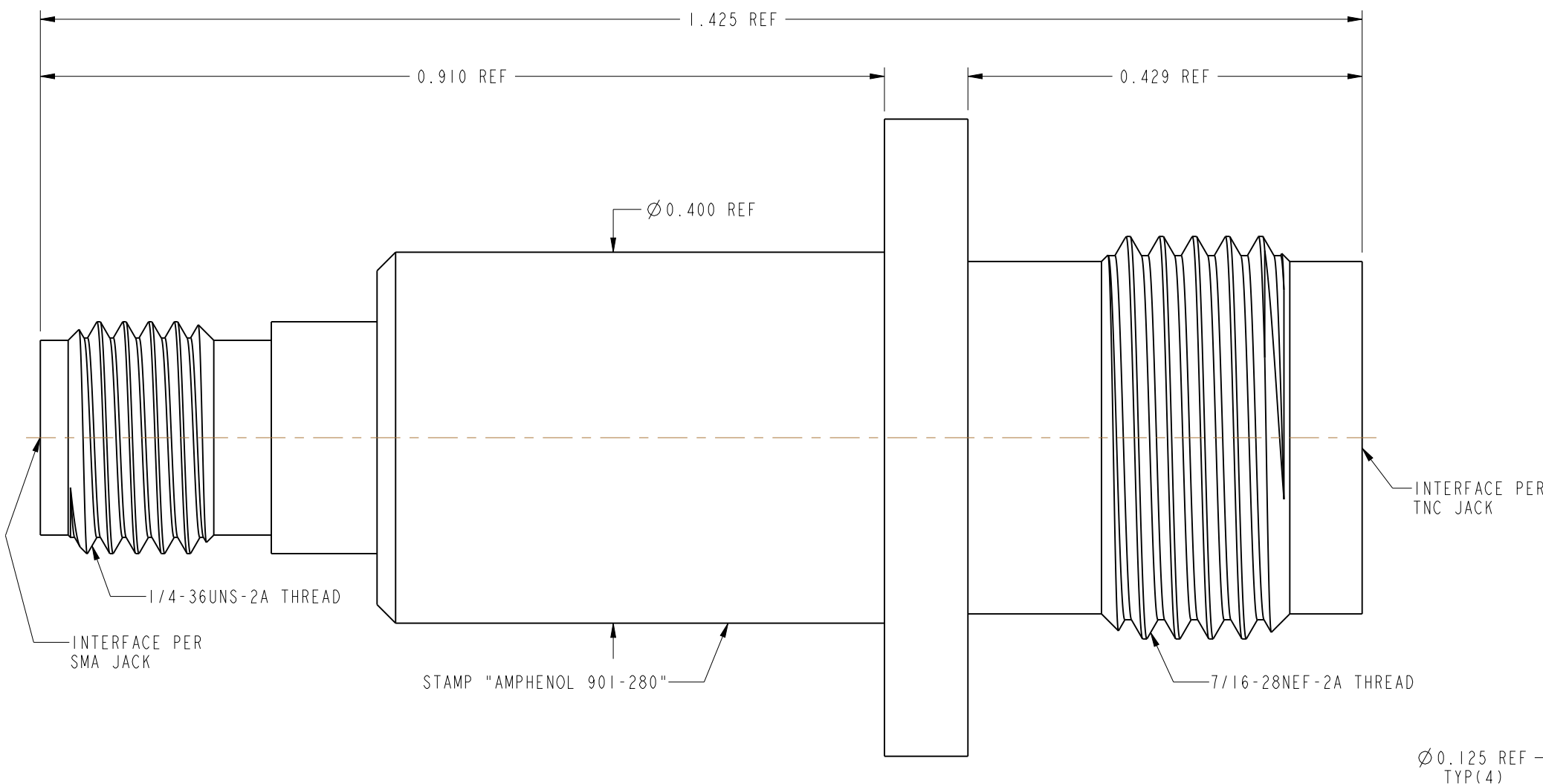
REVISIONS				
REV	DESCRIPTION	DATE	ECO	APPR
--	RELEASE TO MFG.	--	--	
K	REDRAWN IN PRO-E & COD ADDED	7/1/15	49810	AAP



RECOMMENDED PANEL MOUNTING DIMENSIONS



SCALE 2.000



CUSTOMER OUTLINE DRAWING

ALL OTHER SHEETS ARE FOR INTERNAL USE ONLY

UNLESS OTHERWISE SPECIFIED, DIMENSIONS ARE IN INCHES AND TOLERANCES ARE: 2 PLACE DECIMAL 3 PLACE DECIMAL ANGLES ± 0.015 (0,381 mm) ± 0.005 (0,127 mm) $\pm 1^\circ$	MATERIAL	DRAWN	DATE	TITLE SMA STR JACK TO TNC JACK ADAPTER		Amphenol RF www.amphenolrf.com	
	SEE NOTES	A ARUN PRABU	25-Nov-13				
NOTICE - These drawings, specifications, or other data (1) are, and remain the property of Amphenol corp. (2) must be returned upon request; and (3) are confidential and not to be disclosed to any person other than those to whom they are given by Amphenol Corp. the furnishing of these drawings, specifications, or other data by Amphenol Corp., or to any other person to anyone for any purpose is not to be regarded by implication or otherwise in any manner licensing, granting rights to permitting such holder or any other person to manufacture, use or sell any product, process or design, patented or otherwise, that may in any way be related to or disclosed by said drawings, specifications, or other data.	REFERENCE	ENGINEER	DATE	SCALE: 6.5:1.0 SHEET 2 OF 2		DRAWING NO.901-280 ITEM NO.901-280	
	RCA 2901128-20 REV AF DOR 309189-51	HH	03-Aug-71				
	CONFIGURATION LEVEL: In Work	APPROVED	DATE		DWG SIZE B REV K		PART NO.901-280
FINISH	K. CAPOZZI	6/30/15					