

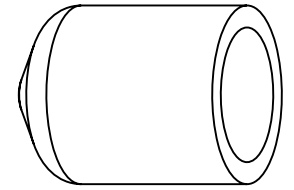
NOTE:

1. MATERIAL AND FINISH:
CAP - VINYL RED

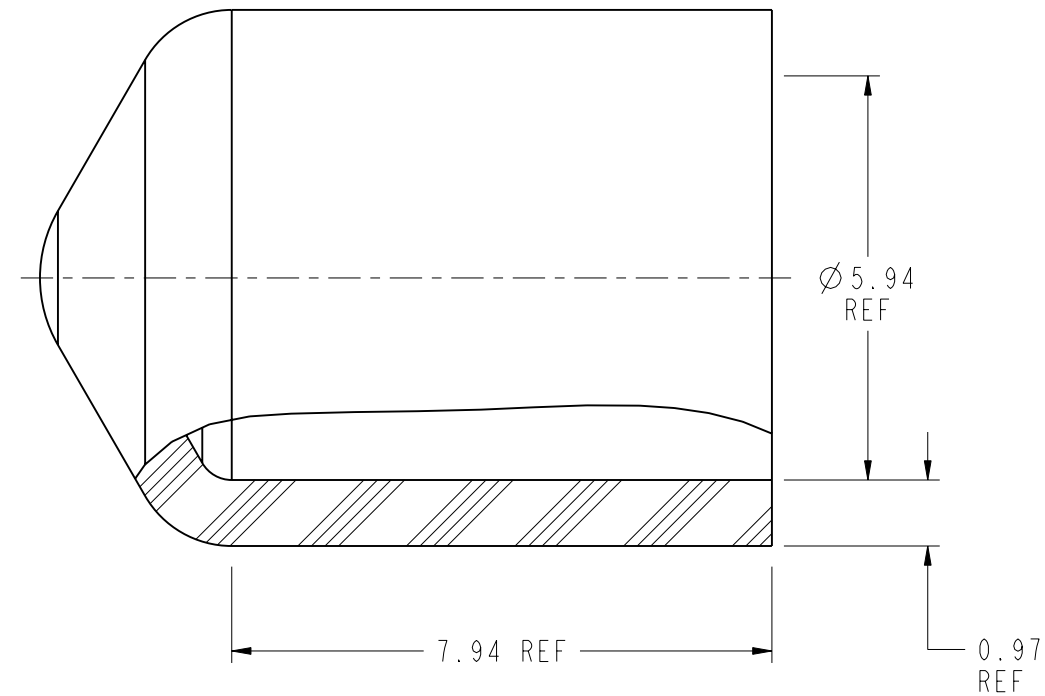
THIRD ANGLE PROJ.

REVISIONS

REV	DESCRIPTION	DATE	ECO	APPR
--	--	--	--	--
D	ADDED SHEET 2	16-Aug-19	12607	SS



SCALE 3.000



CUSTOMER OUTLINE DRAWING

ALL OTHER SHEETS ARE FOR INTERNAL USE ONLY

UNLESS OTHERWISE SPECIFIED, DIMENSIONS ARE IN METRIC AND TOLERANCES ARE:
 <0.5mm ±0.05mm 0.5 - 6mm ±0.1mm 6 - 30mm ±0.2mm 30 - 120mm ±0.3mm ANGLES ±1°

NOTICE - These drawings, specifications, or other data (1) are, and remain the property of Amphenol corp. (2) must be returned upon request; and (3) are confidential and not to be disclosed to any person other than those to whom they are given by Amphenol Corp. the furnishing of these drawings, specifications, or other data by Amphenol Corp., or to any other person to anyone for any purpose is not to be regarded by implication or otherwise in any manner licensing, granting rights to permitting such holder or any other person to manufacture, use or sell any product, process or design, patented or otherwise, that may in any way be related to or disclosed by said drawings, specifications, or other data.

MATERIAL	DRAWN W.ZENG	DATE 26-Aug-19	TITLE PROTECTIVE CAP		Amphenol RF www.amphenolrf.com	
REFERENCE AND CONFIGURATION LEVEL: In Work	ENGINEER H.HUTTER	DATE 11-Jul-74				
FINISH	APPROVED S.HSIEH	DATE 27-Aug-19	SCALE: 6.0:1.0	SHEET 2 OF 2	DRAWING NO. 901-5558	ITEM NO. 901-5558
	CAD FILE		DWG SIZE B	REV D	PART NO. 901-5558	