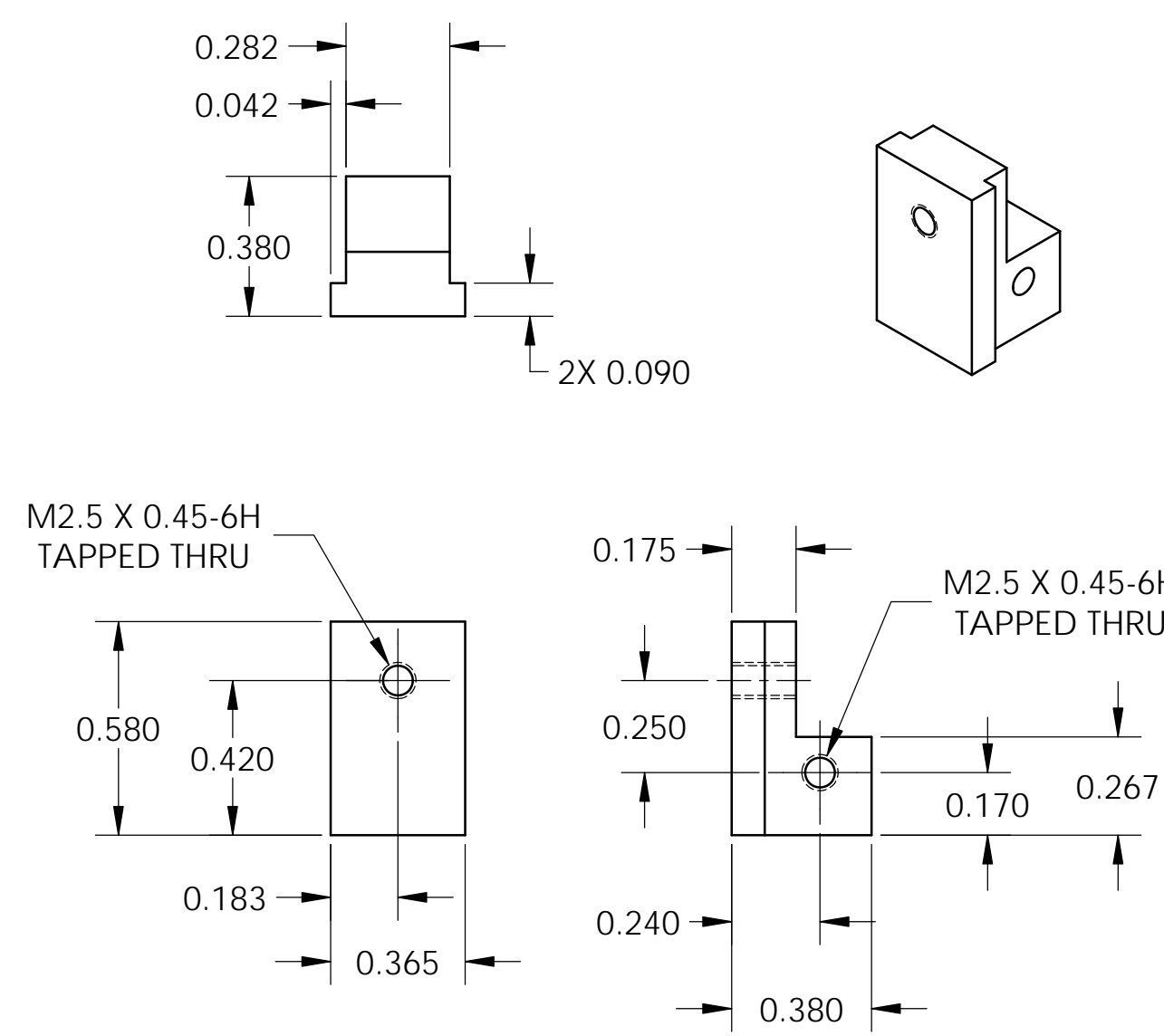
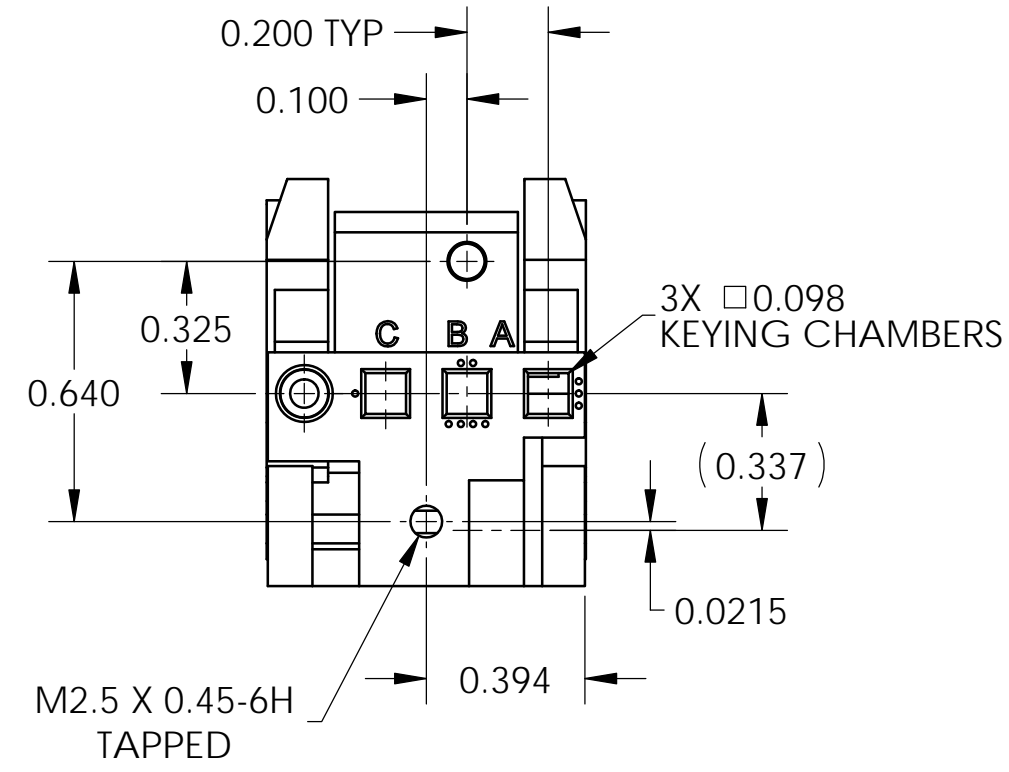
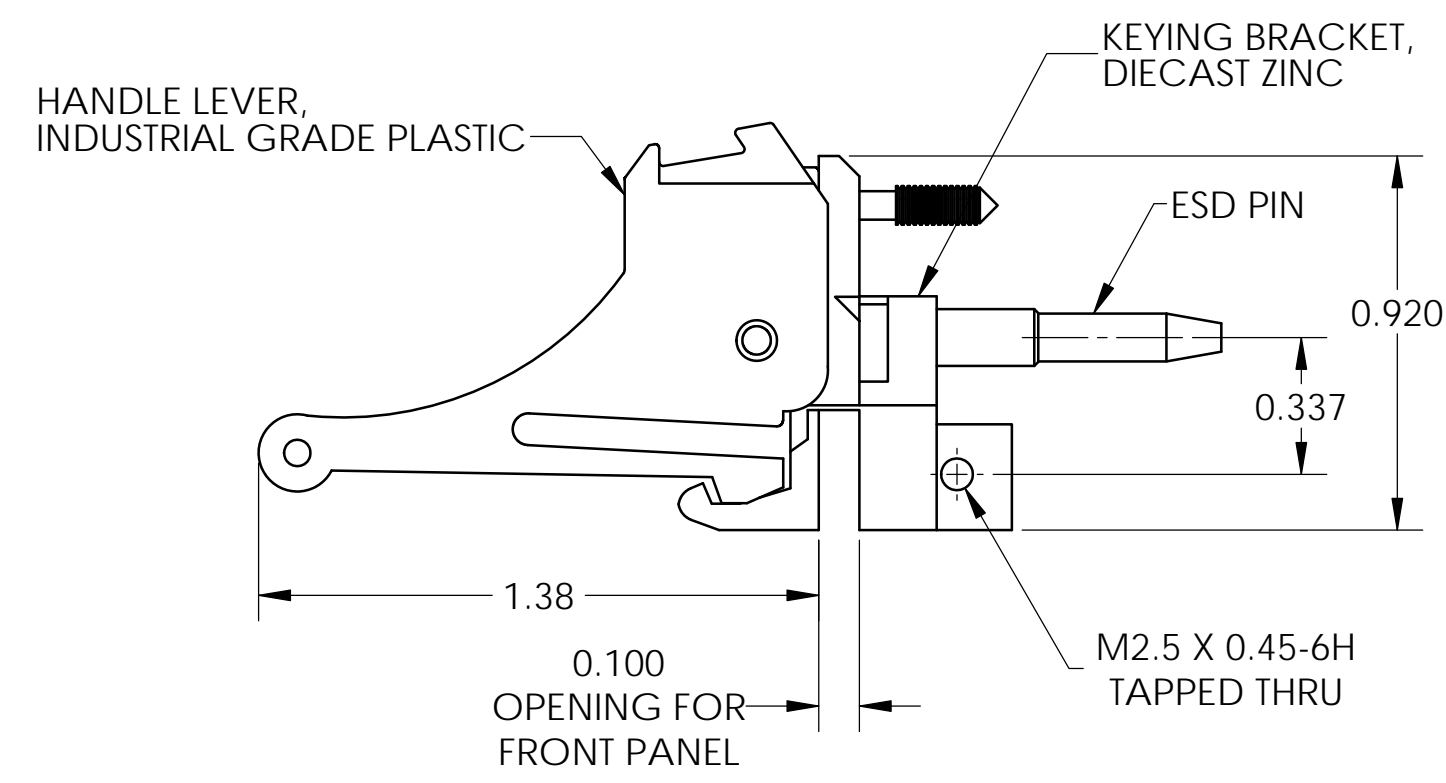
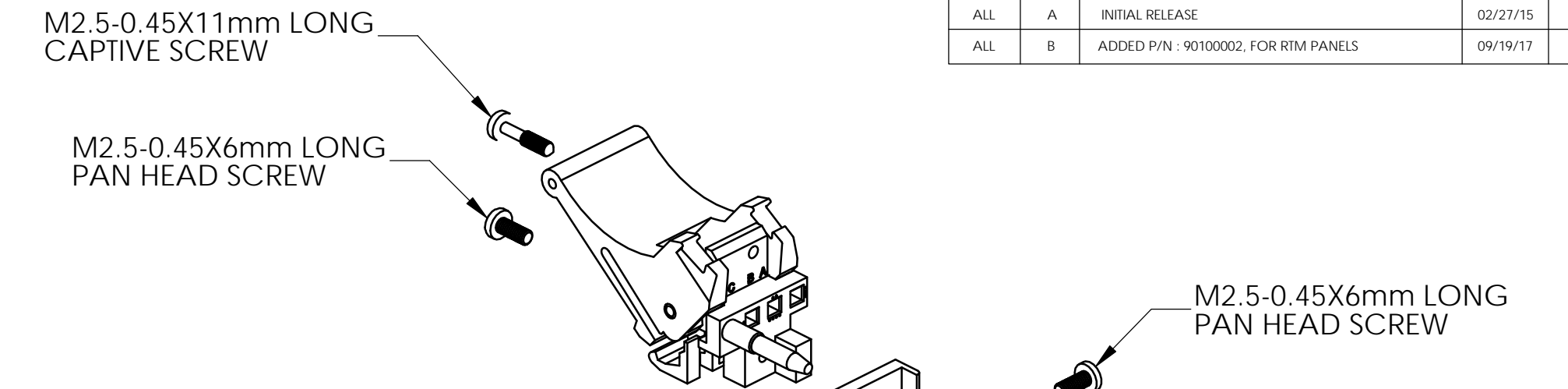


PROPRIETARY AND CONFIDENTIAL
 THE INFORMATION CONTAINED IN THIS DRAWING IS THE SOLE PROPERTY OF
 VECTOR ELECTRONICS & TECHNOLOGY, INC. ANY REPRODUCTION IN PART
 OR AS A WHOLE WITHOUT THE WRITTEN PERMISSION OF VECTOR ELECTRONICS
 & TECHNOLOGY, INC IS PROHIBITED.

REVISIONS				
ZONE	REV	DESCRIPTION	DATE	APPROVED
ALL	A	INITIAL RELEASE	02/27/15	
ALL	B	ADDED P/N: 9010002, FOR RTM PANELS	09/19/17	



**L-BRACKET DETAIL
 (PART OF 90100016)**



**EXPLODED VIEW
 6U OR 9U PLUG-IN CARD ASSEMBLY**

**90100016 PARTS LIST
 (FOR 6U OR 9U FRONT PANEL ASSEMBLY)**

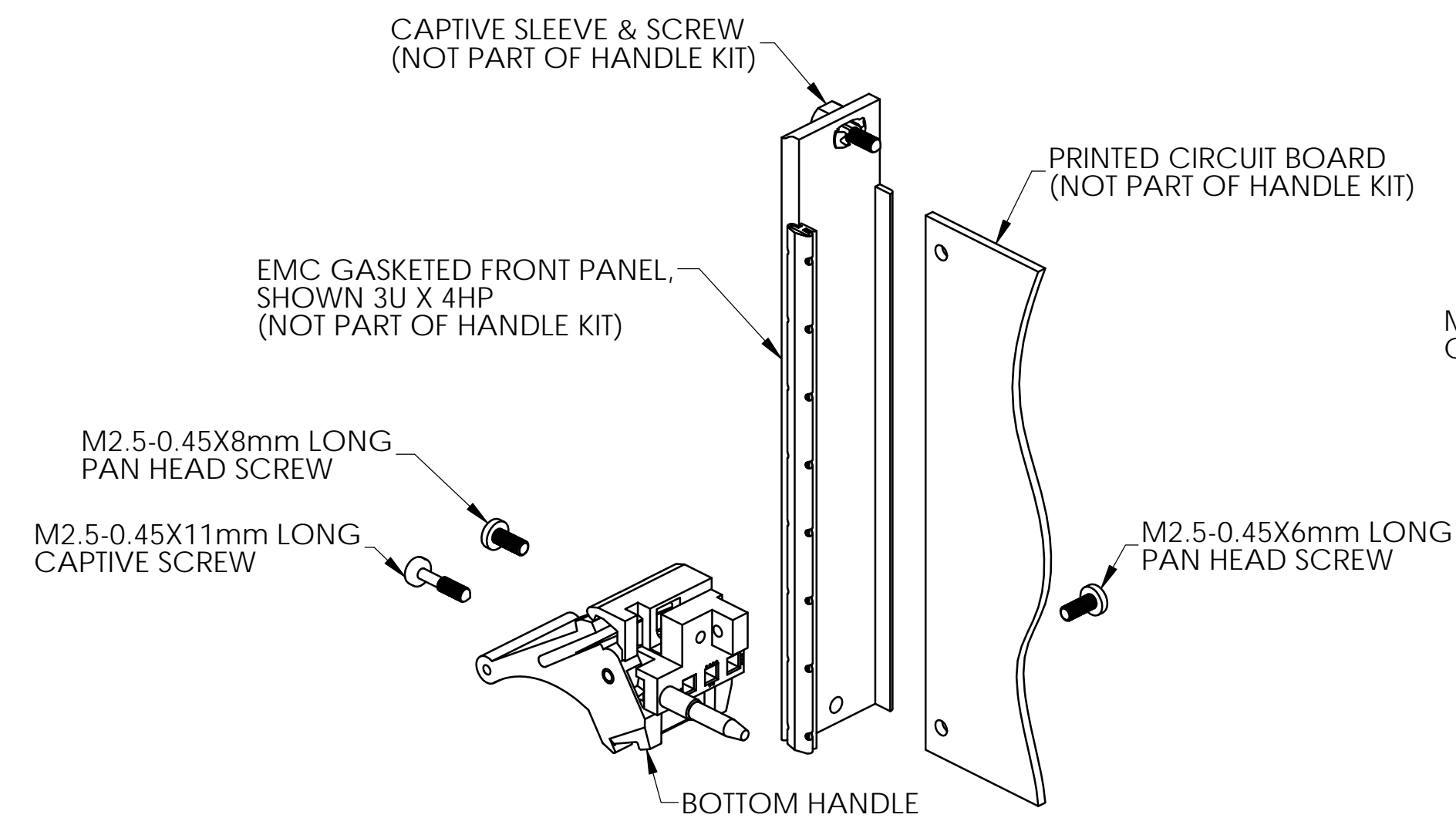
ITEM NO	DESCRIPTION	QTY	U/M
1	HANDLE, BOTTOM, TYPE IV	1	EACH
2	HANDLE, TOP, TYPE IV	1	EACH
3	L-BRACKET, METAL	1	EACH
4	SCREW, PAN HEAD, M2.5-0.45X6mm	5	EACH
5	SCREW, PAN HEAD, M2.5-0.45X8mm	1	EACH
6	SCREW, FLAT HEAD, M2.5-0.45X8mm	1	EACH

**90100002-1 PARTS LIST
 (FOR 3U FRONT PANEL ASSEMBLY)**

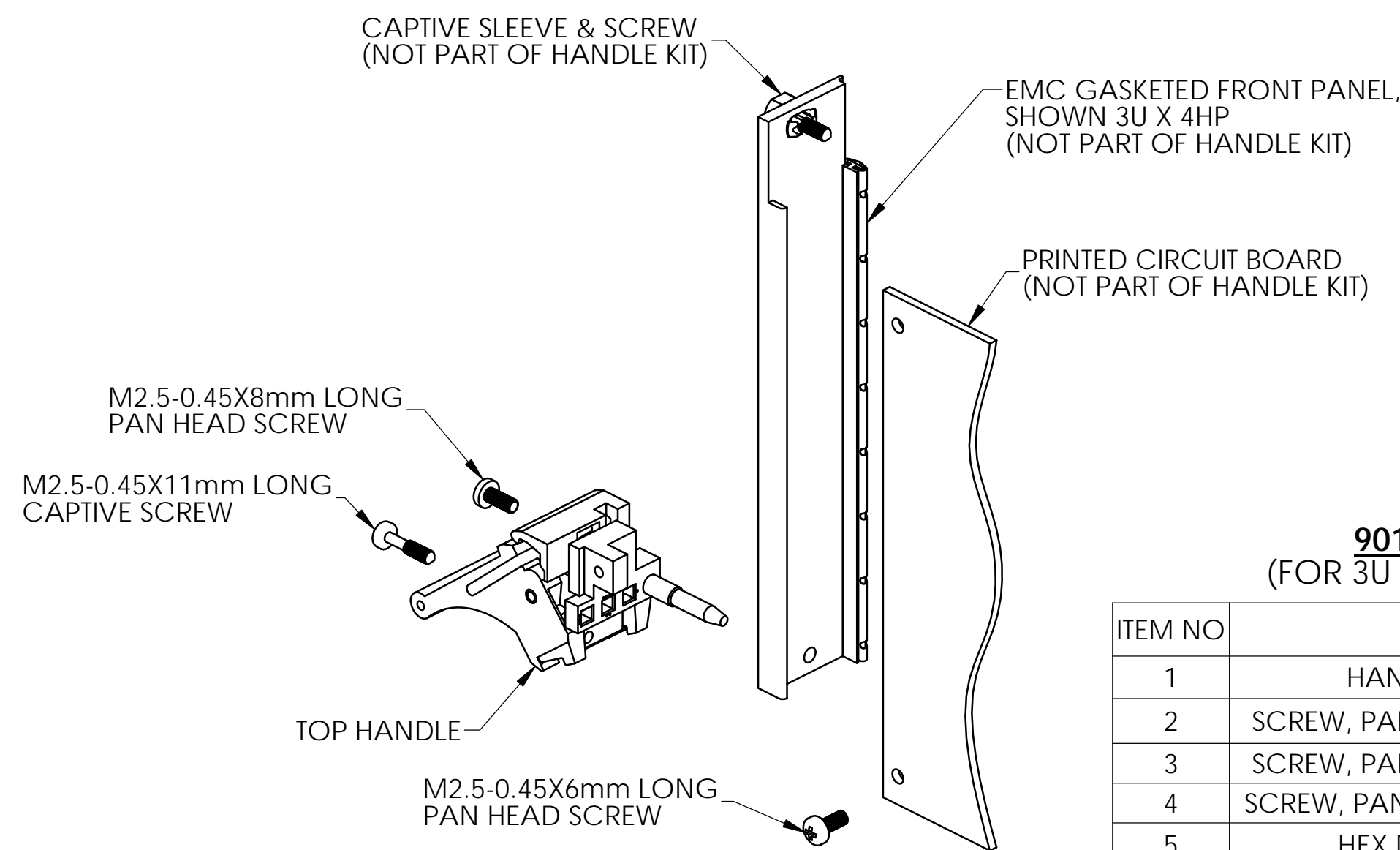
ITEM NO	DESCRIPTION	QTY	U/M
1	HANDLE, BOTTOM, TYPE IV	1	EACH
2	SCREW, PAN HEAD, M2.5-0.45X6mm	1	EACH
3	SCREW, PAN HEAD, M2.5-0.45X8mm	1	EACH
4	SCREW, PAN HEAD, M2.5-0.45X10mm	2	EACH
5	HEX NUT, M2.5X0.45-6H	2	EACH
6	SCREW, CAPTIVE, M2.5-0.45X11mm	2	EACH
7	WASHER, SPLIT LOCK, #3	2	EACH

**90100002 PARTS LIST
 (FOR 3U RTM PANEL ASSEMBLY)**

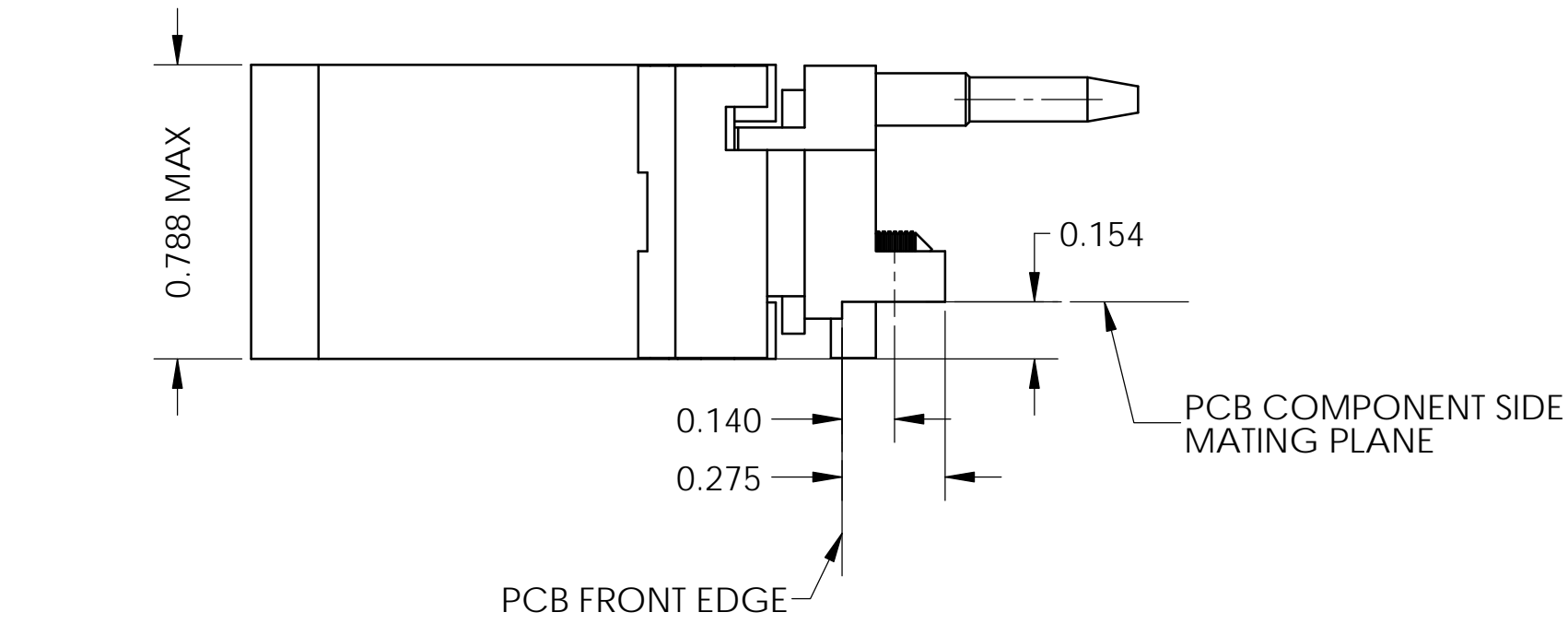
ITEM NO	DESCRIPTION	QTY	U/M
1	HANDLE, TOP, TYPE IV	1	EACH
2	SCREW, PAN HEAD, M2.5-0.45X6mm	1	EACH
3	SCREW, PAN HEAD, M2.5-0.45X8mm	1	EACH
4	SCREW, PAN HEAD, M2.5-0.45X10mm	2	EACH
5	HEX NUT, M2.5X0.45-6H	2	EACH
6	SCREW, CAPTIVE, M2.5-0.45X11mm	2	EACH
7	WASHER, SPLIT LOCK, #3	2	EACH



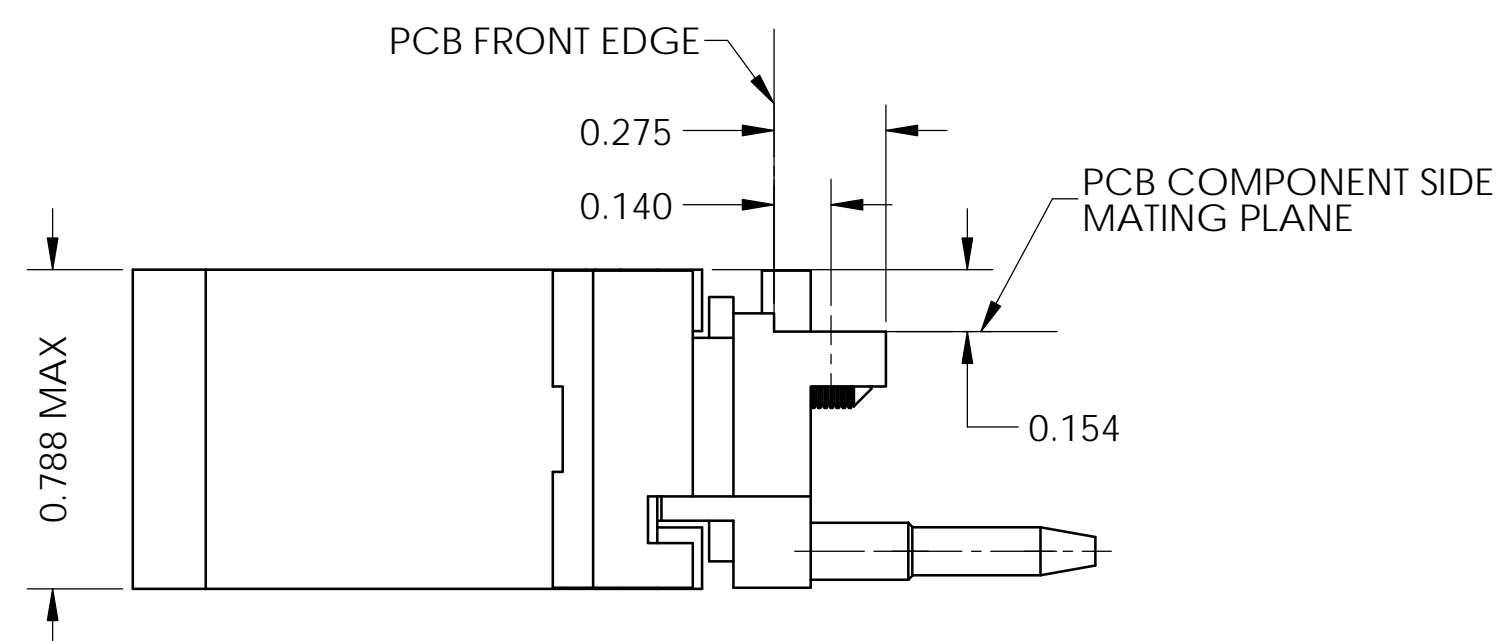
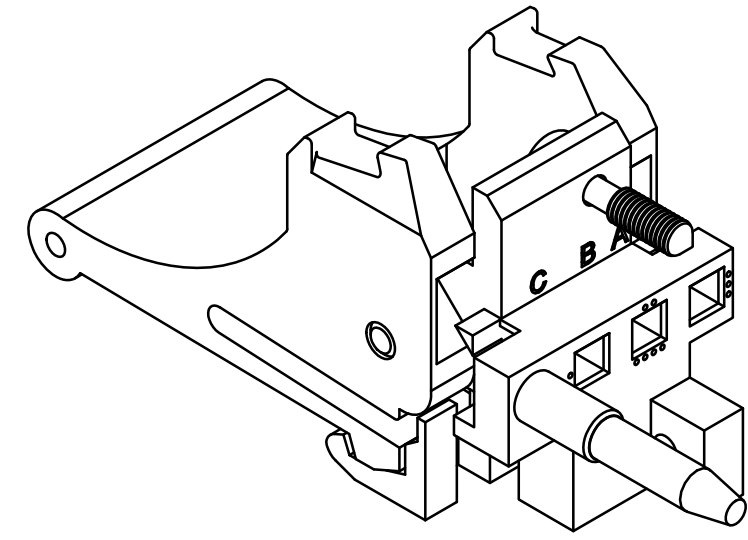
**EXPLODED VIEW
 3U FRONT PLUG-IN CARD ASSEMBLY**



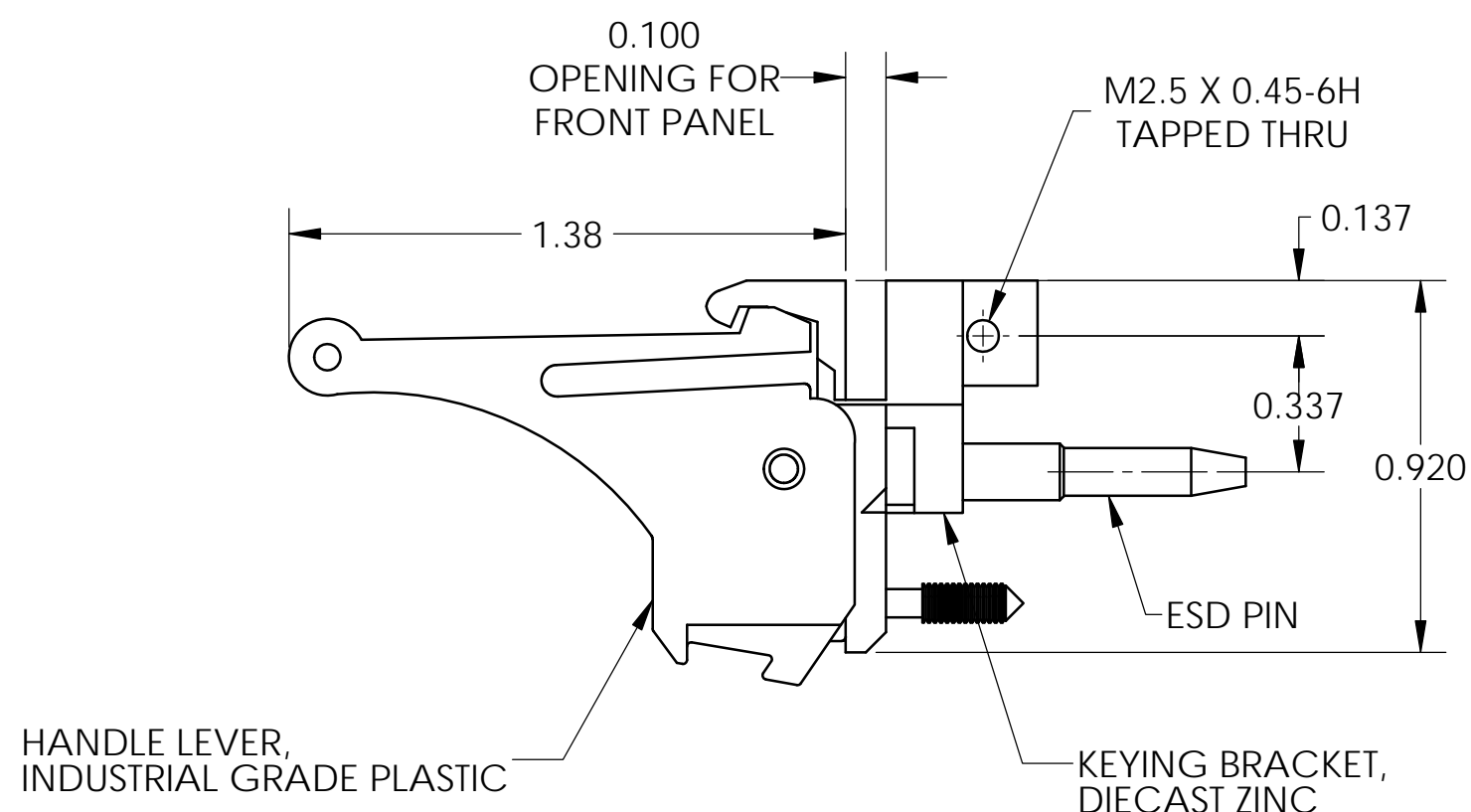
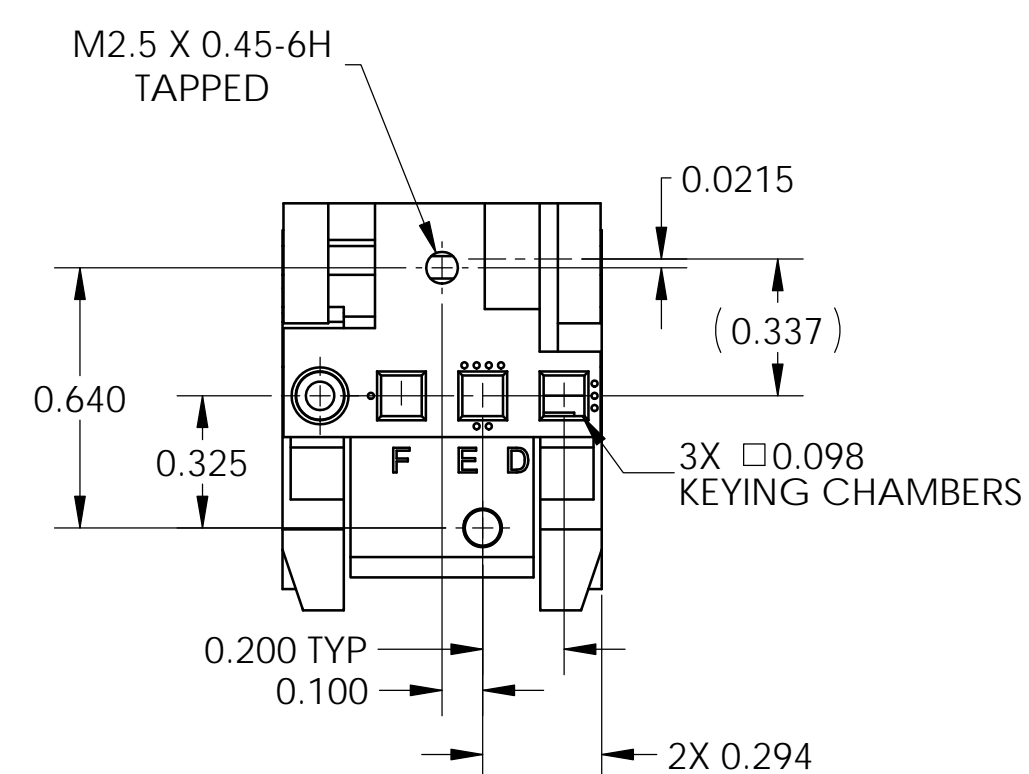
**EXPLODED VIEW
 3U RTM PLUG-IN CARD ASSEMBLY**



TOP HANDLE DETAIL



BOTTOM HANDLE DETAIL



UNLESS OTHERWISE SPECIFIED
 DIMENSIONS ARE IN INCHES
 TOLERANCES:

DEC .XX	±0.1
DEC .XXX	±0.03
DEC .XXXX	±0.010
FRACTIONS	±0.050
ANGLES	±1°

THIRD ANGLE PROJECTION

MATERIAL

FINISH

NAME DATE
 TRISHAR 08/31/12

CHECKED
 ENG APPR
 MFG APPR

Q.A.

COMMENTS

VECTOR ELECTRONICS & TECHNOLOGY, INC. 11115 VANDERBILT
 NORTH HOLLYWOOD, CA 91355 www.vectorselect.com

**INJECTOR/EJECTOR
 HANDLE, TYPE IV
 1101.10**

SIZE DWG. NO. REV
D IEL-TYPE-IV B

SCALE: 1:1 CAGE CODE: 82893 SHEET 1 OF 1