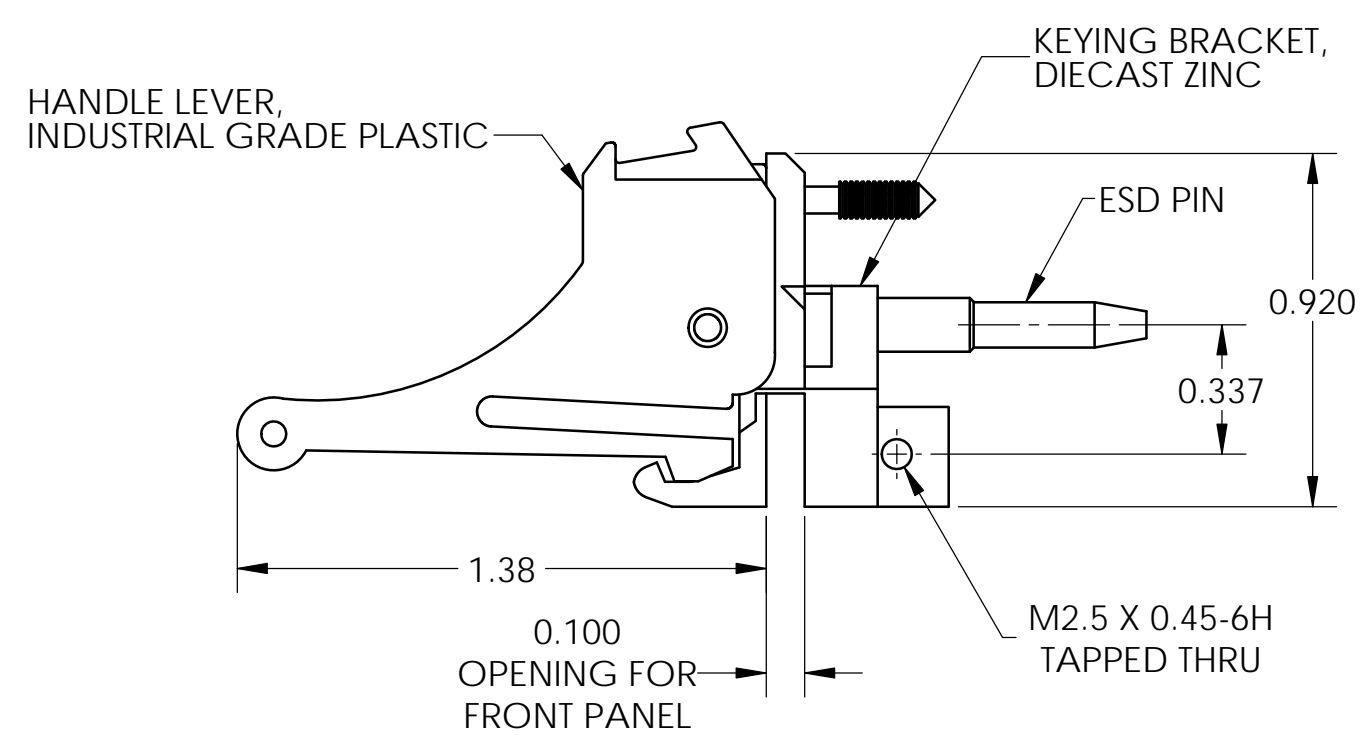
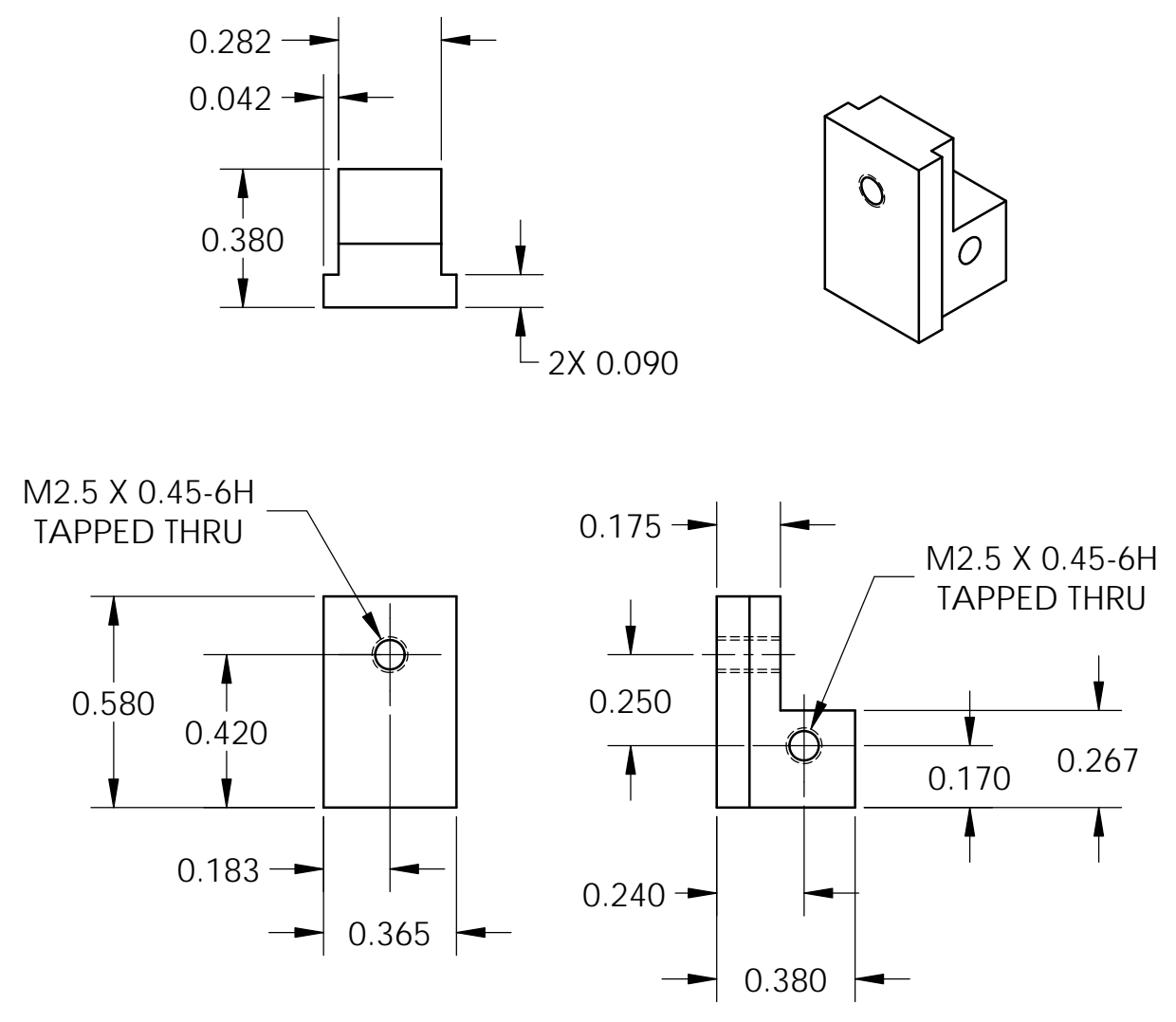
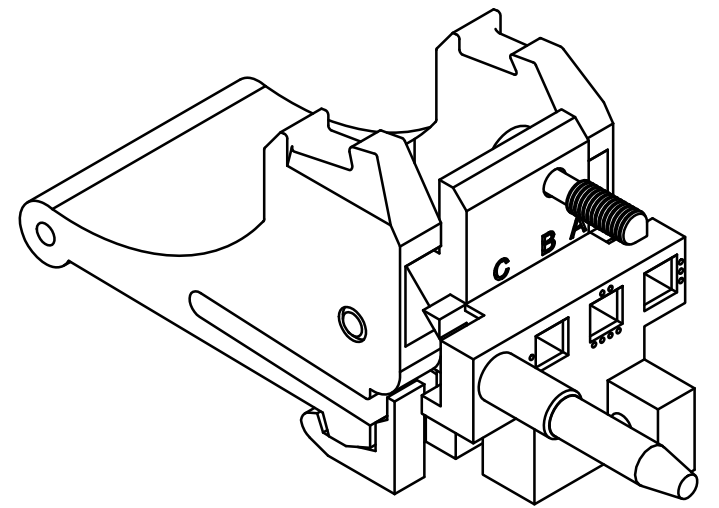
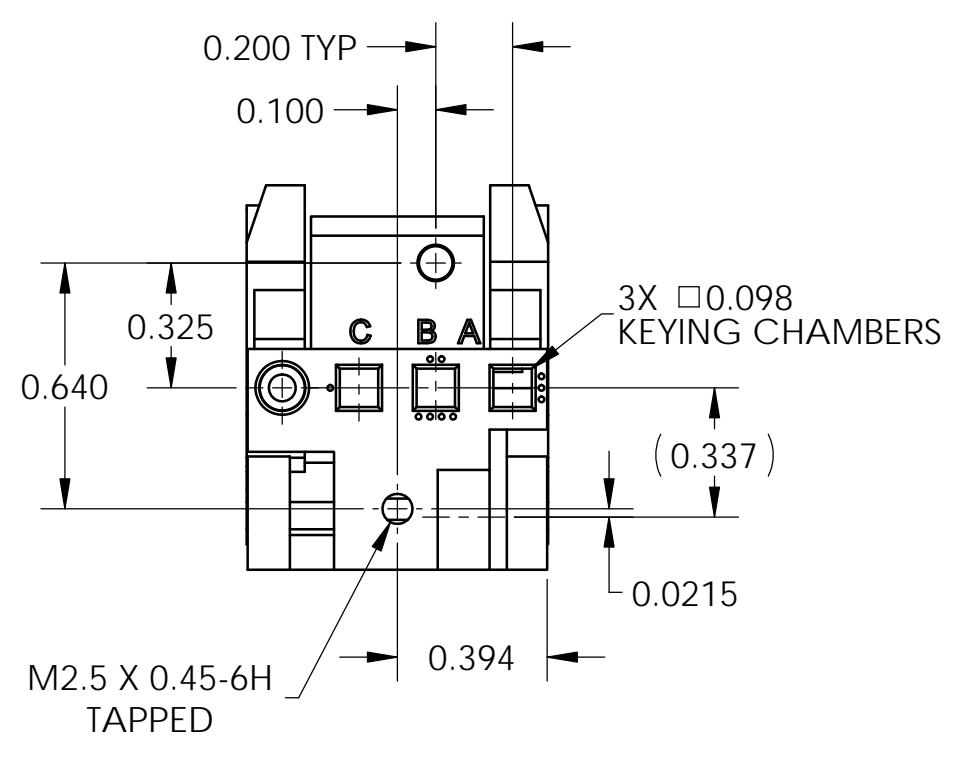


PROPRIETARY AND CONFIDENTIAL
 THE INFORMATION CONTAINED IN THIS DRAWING IS THE SOLE PROPERTY OF
 VECTOR ELECTRONICS & TECHNOLOGY, INC. ANY REPRODUCTION IN PART
 OR AS A WHOLE WITHOUT THE WRITTEN PERMISSION OF VECTOR ELECTRONICS
 & TECHNOLOGY, INC IS PROHIBITED.

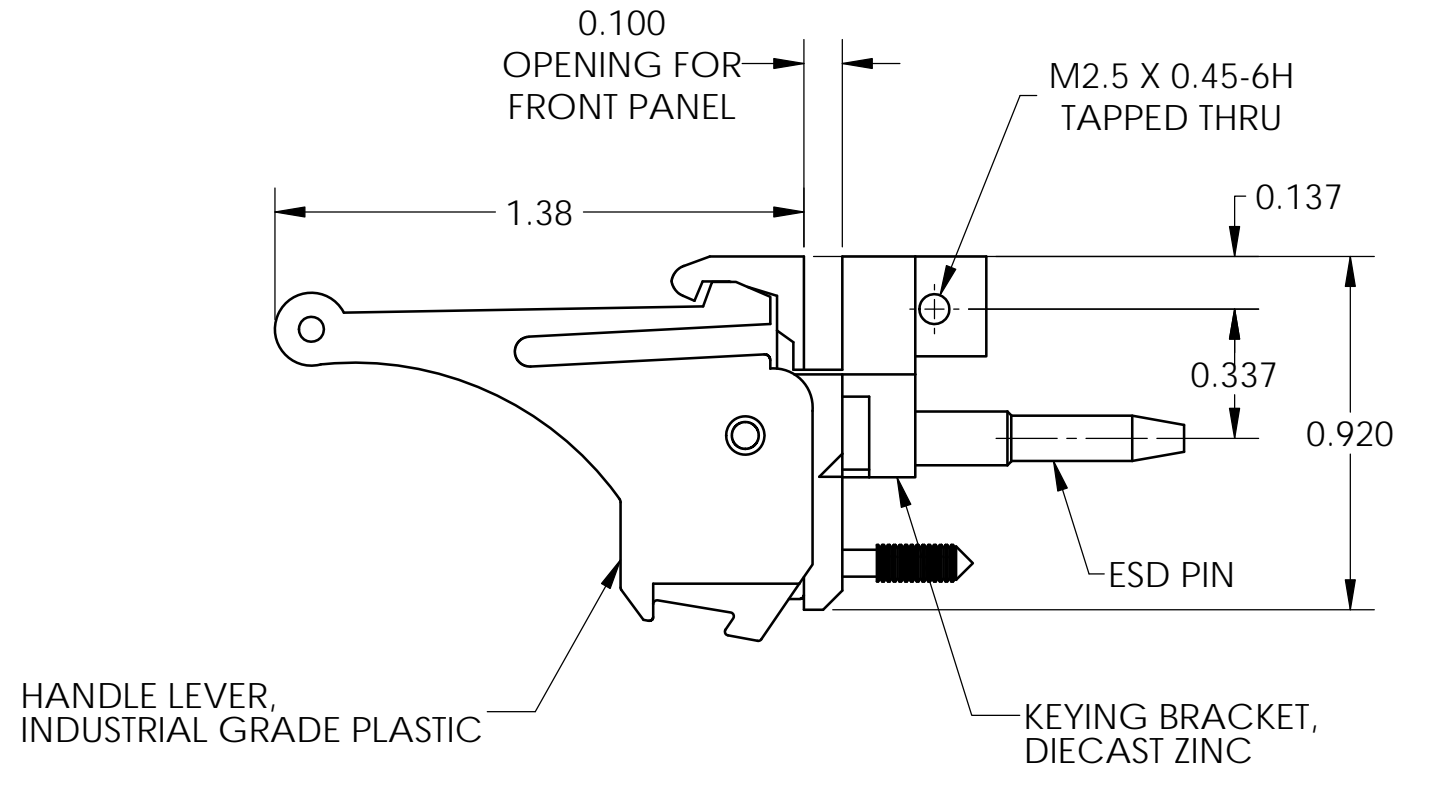
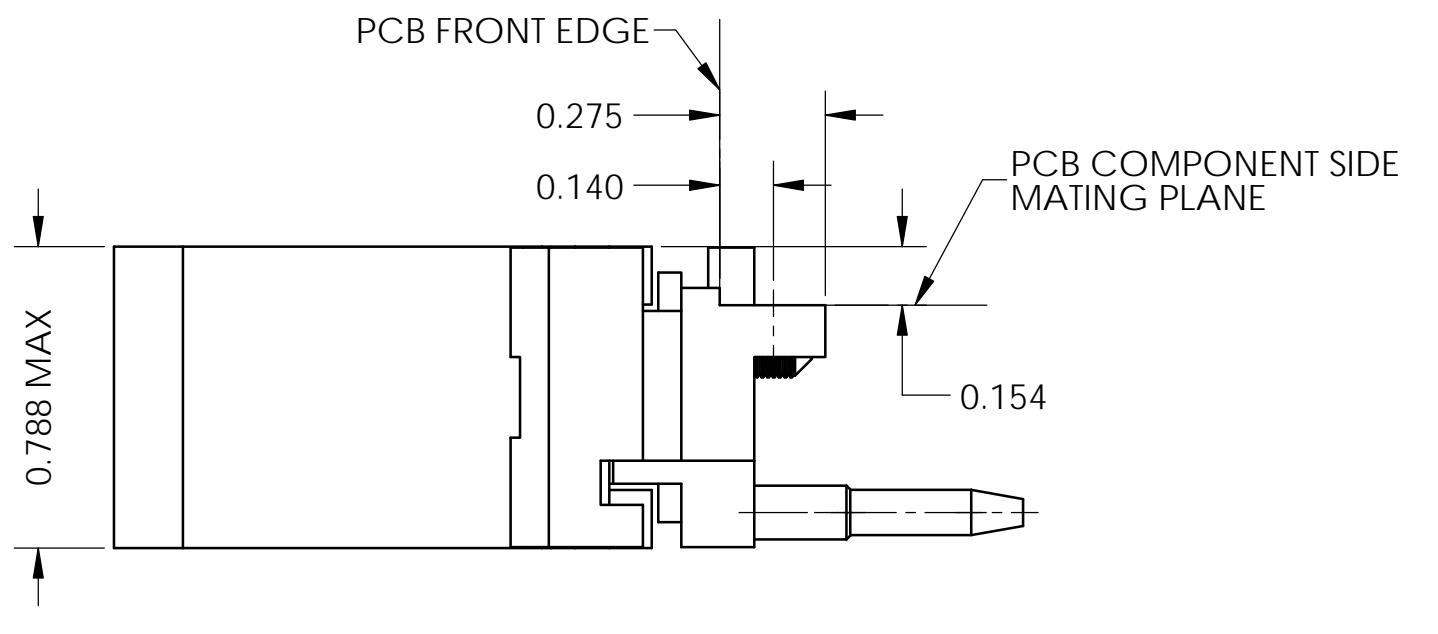
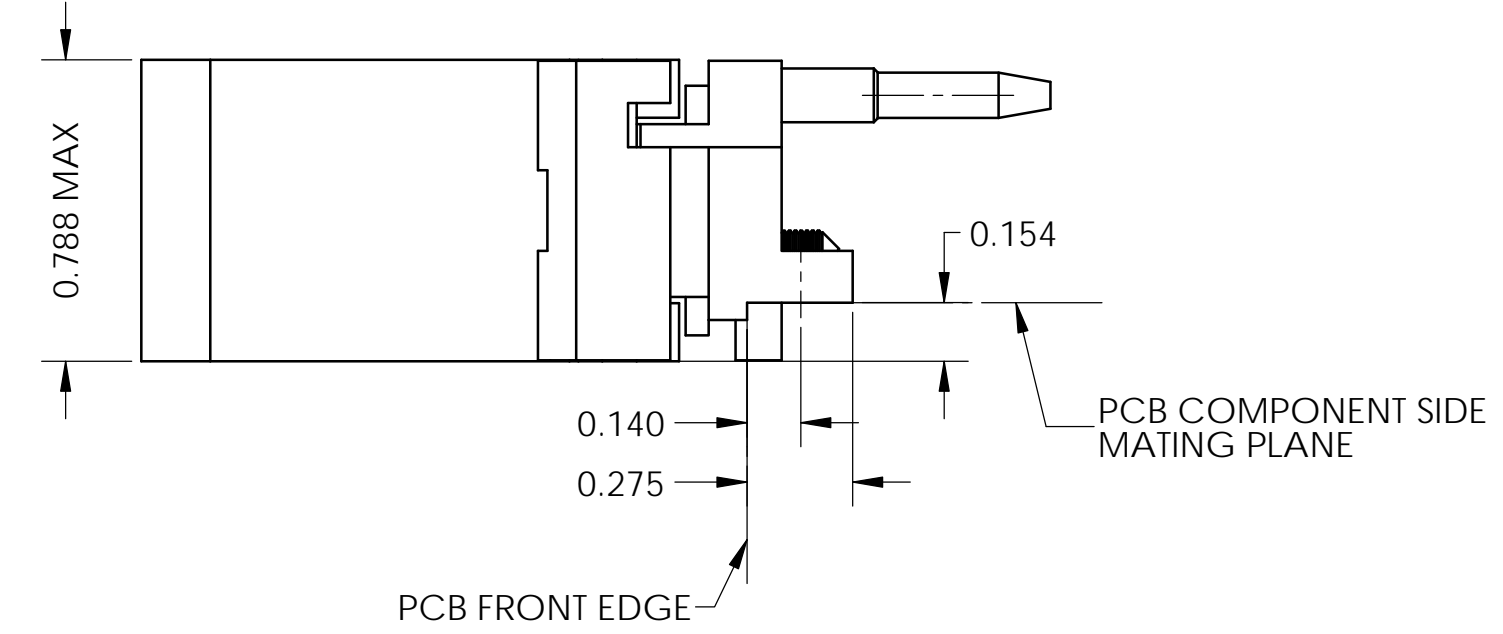
REVISIONS				
ZONE	REV	DESCRIPTION	DATE	APPROVED
ALL	A	INITIAL RELEASE	02/27/15	
ALL	B	ADDED PIN - 9010002 FOR RTM PANELS	09/19/17	
ALL	C	ADDED NOTE FOR OPTIONAL CENTER L-BRACKET	05/23/19	



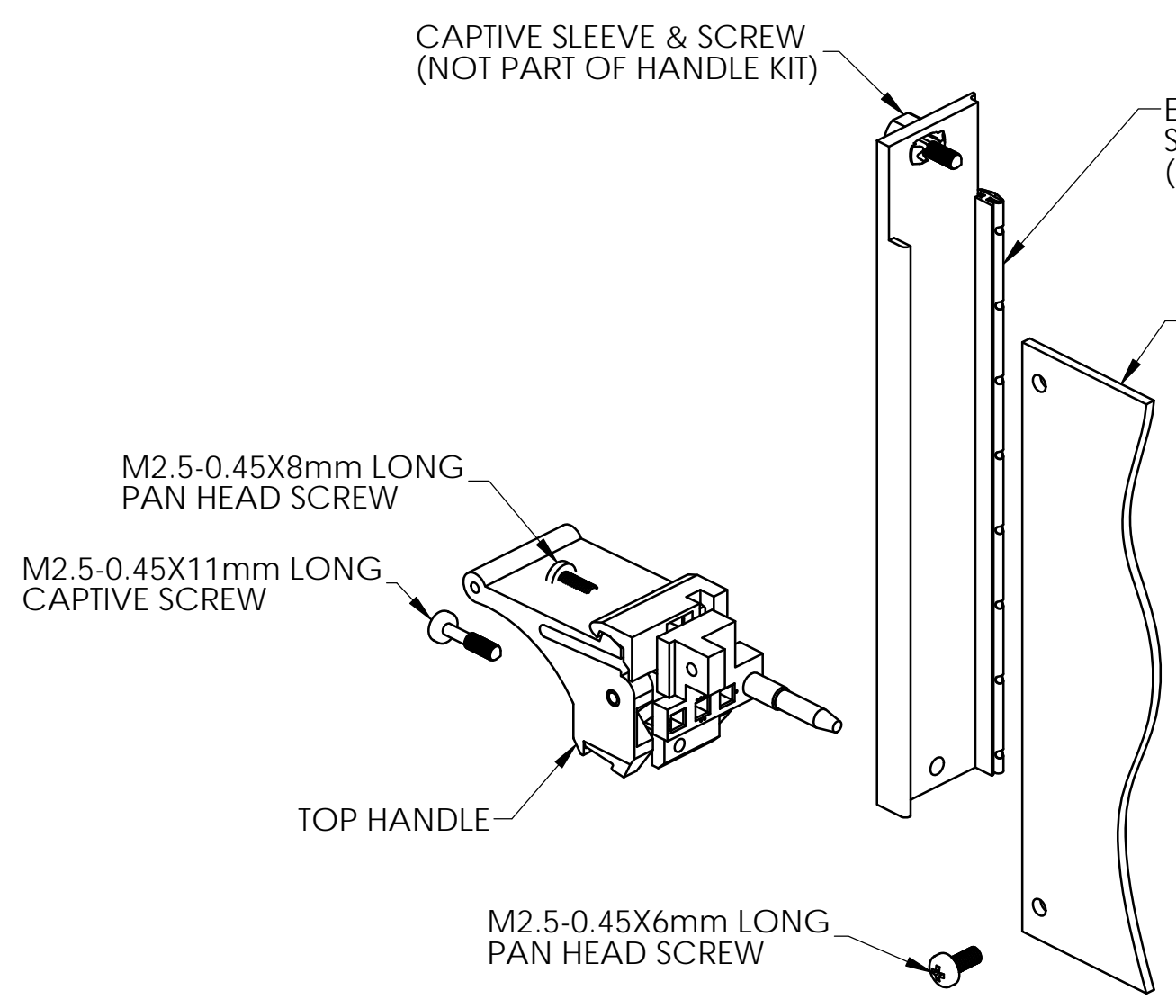
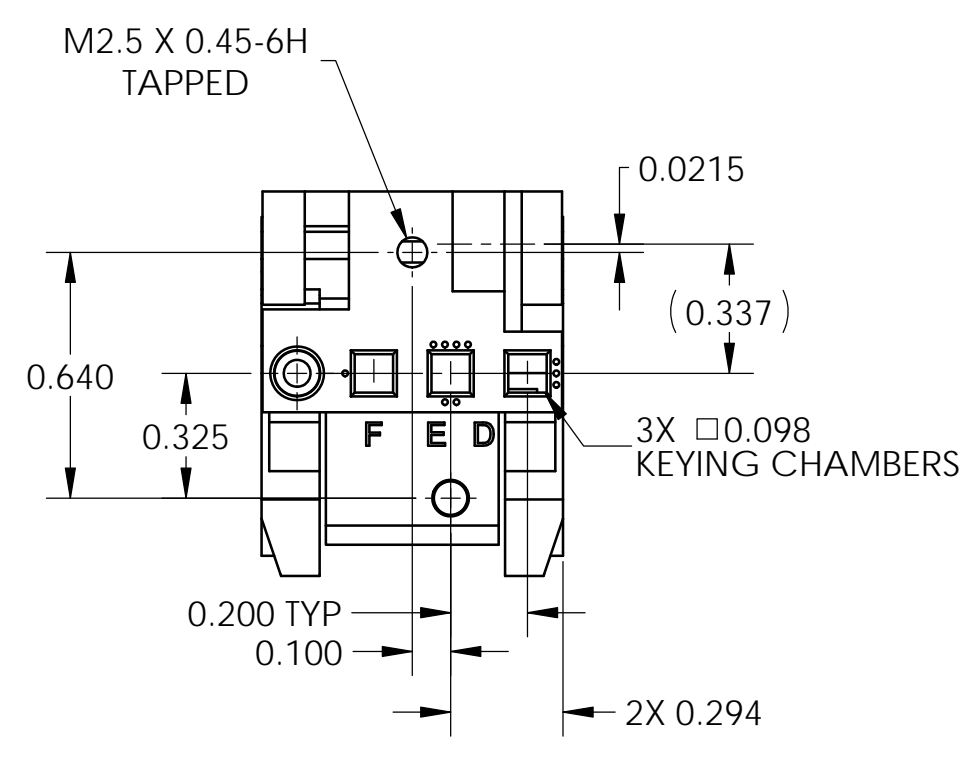
TOP HANDLE DETAIL



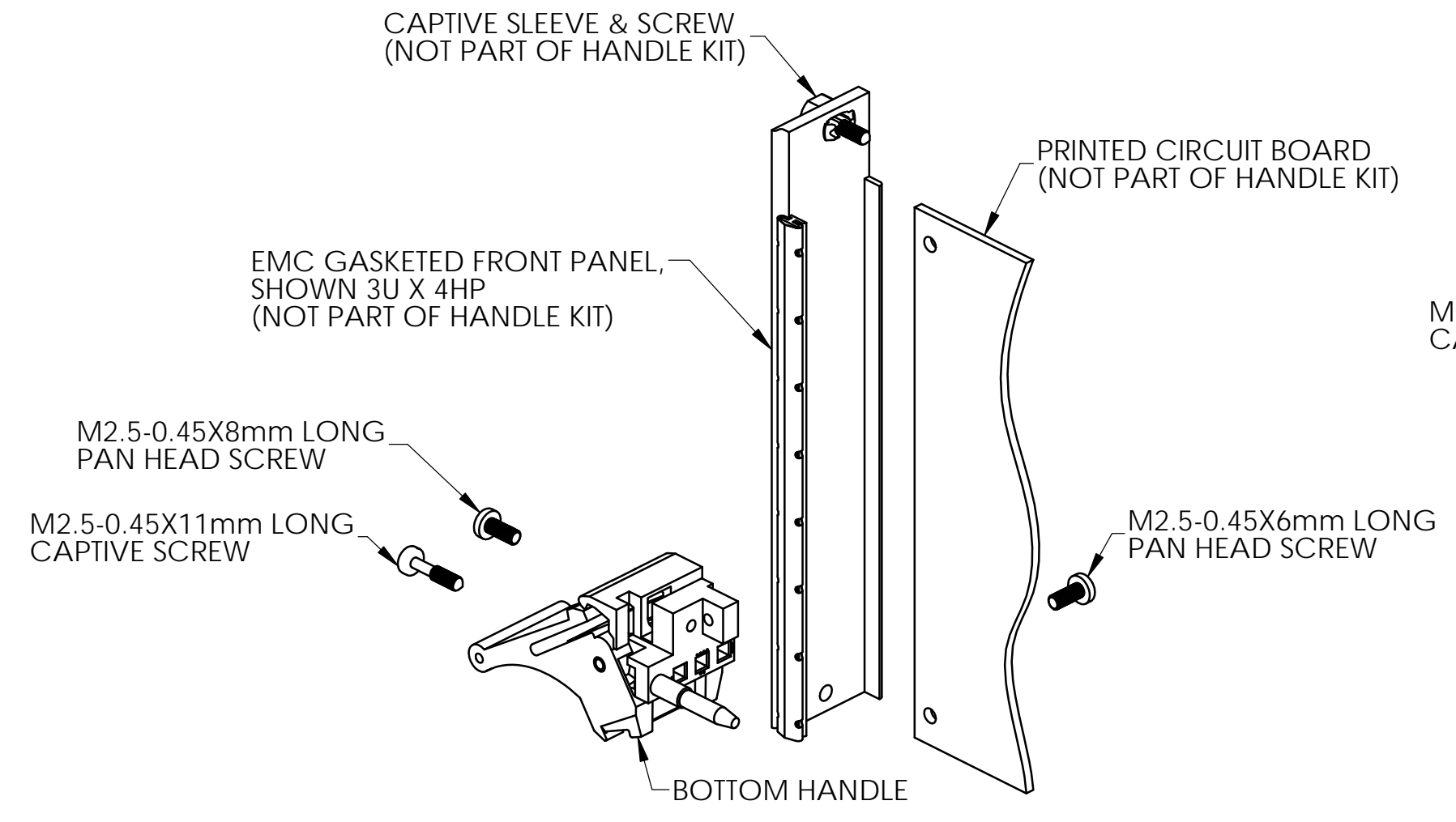
L-BRACKET DETAIL (PART OF 90100016)
 CENTER L-BRACKET MOUNTING IS OPTIONAL AND THAT IT CAN BE ORIENTED UP OR DOWN, USER MUST FIND THE FRONT PANEL LOCATION DEPENDING ON THE POSITION OF L-BRACKET AND WHICH HOLE WILL BE USED.



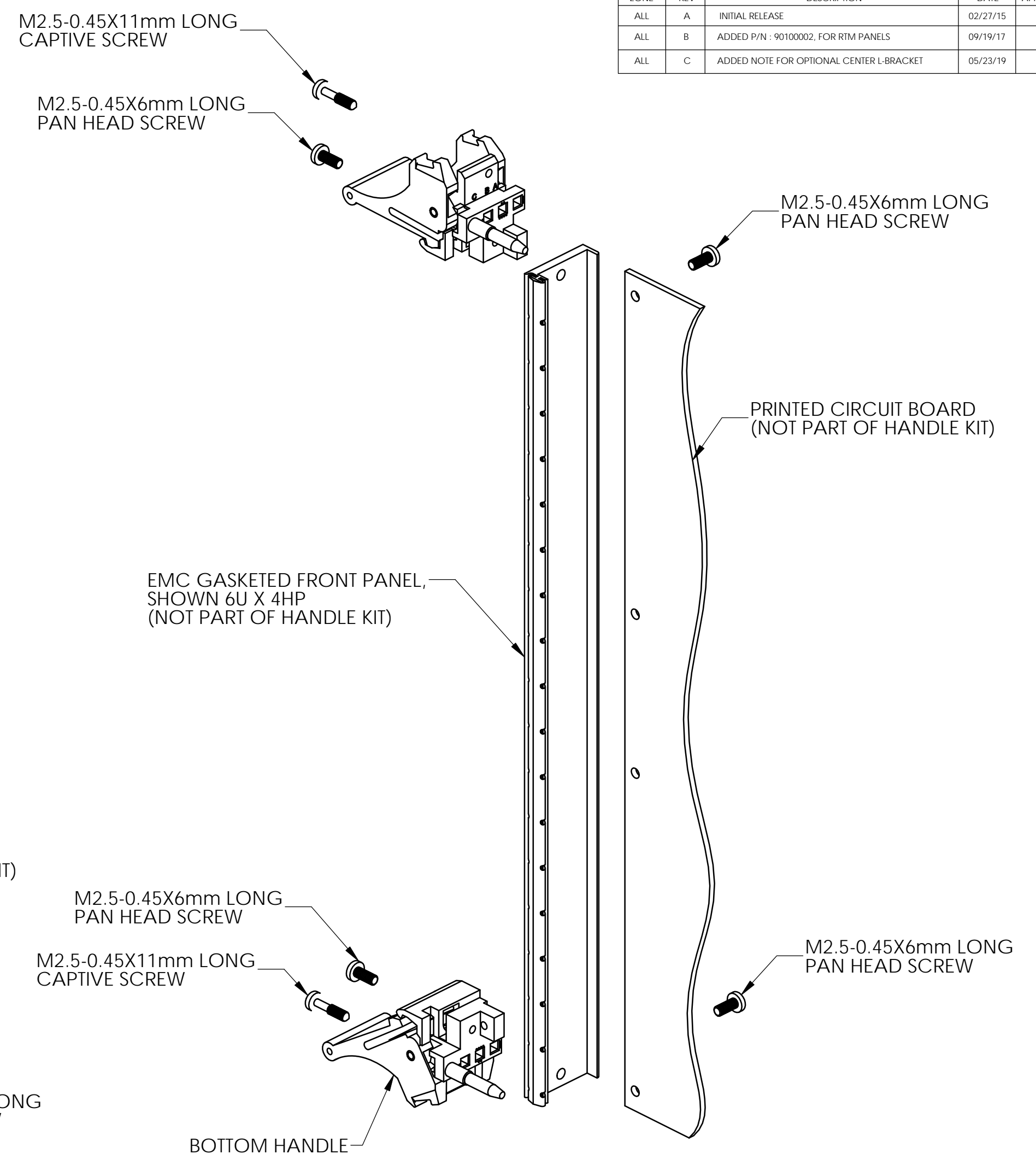
BOTTOM HANDLE DETAIL



EXPLODED VIEW 3U RTM PLUG-IN CARD ASSEMBLY



EXPLODED VIEW 3U FRONT PLUG-IN CARD ASSEMBLY



EXPLODED VIEW 6U OR 9U PLUG-IN CARD ASSEMBLY

90100016 PARTS LIST (FOR 6U OR 9U FRONT PANEL ASSEMBLY)

ITEM NO	DESCRIPTION	QTY	U/M
1	HANDLE, BOTTOM, TYPE IV	1	EACH
2	HANDLE, TOP, TYPE IV	1	EACH
3	L-BRACKET, METAL (OPTIONAL)	1	EACH
4	SCREW, PAN HEAD, M2.5-0.45X6mm	5	EACH
5	SCREW, CAPTIVE, M2.5-0.45X11mm	2	EACH
6	SCREW, FLAT HEAD, M2.5-0.45X8mm	1	EACH

90100002-1 PARTS LIST (FOR 3U FRONT PANEL ASSEMBLY)

ITEM NO	DESCRIPTION	QTY	U/M
1	HANDLE, BOTTOM, TYPE IV	1	EACH
2	SCREW, PAN HEAD, M2.5-0.45X6mm	1	EACH
3	SCREW, PAN HEAD, M2.5-0.45X8mm	1	EACH
4	SCREW, PAN HEAD, M2.5-0.45X10mm	2	EACH
5	HEX NUT, M2.5X0.45-6H	2	EACH
6	SCREW, CAPTIVE, M2.5-0.45X11mm	2	EACH
7	WASHER, SPLIT LOCK, #3	2	EACH

90100002 PARTS LIST (FOR 3U RTM PANEL ASSEMBLY)

ITEM NO	DESCRIPTION	QTY	U/M
1	HANDLE, TOP, TYPE IV	1	EACH
2	SCREW, PAN HEAD, M2.5-0.45X6mm	1	EACH
3	SCREW, PAN HEAD, M2.5-0.45X8mm	1	EACH
4	SCREW, PAN HEAD, M2.5-0.45X10mm	2	EACH
5	HEX NUT, M2.5X0.45-6H	2	EACH
6	SCREW, CAPTIVE, M2.5-0.45X11mm	2	EACH
7	WASHER, SPLIT LOCK, #3	2	EACH

UNLESS OTHERWISE SPECIFIED:
 DIMENSIONS ARE IN INCHES
 TOLERANCES:
 DEC. X.X ±0.1
 DEC. X.XX ±0.03
 DEC. X.XXX ±0.010
 FRACTIONS ±0.050
 ANGLES ±1°
 THIRD ANGLE PROJECTION

NAME: TRISHAR
 DATE: 08/31/12

VECTOR ELECTRONICS & TECHNOLOGY, INC. 11115 VANOWEN ST., NORTH HOLLYWOOD, CA 91605

INJECTOR/EJECTOR HANDLE, TYPE IV 1101.10

SIZE: **D** DWG. NO.: **IEL-TYPE-IV** REV: **B**

SCALE: 1:1 | CAGE CODE: 82893 | SHEET 1 OF 1