

PROPRIETARY AND CONFIDENTIAL
 THE INFORMATION CONTAINED IN THIS DRAWING IS THE SOLE PROPERTY OF
 VECTOR ELECTRONICS & TECHNOLOGY, INC. ANY REPRODUCTION IN PART
 OR AS A WHOLE WITHOUT THE WRITTEN PERMISSION OF VECTOR ELECTRONICS
 & TECHNOLOGY, INC IS PROHIBITED.

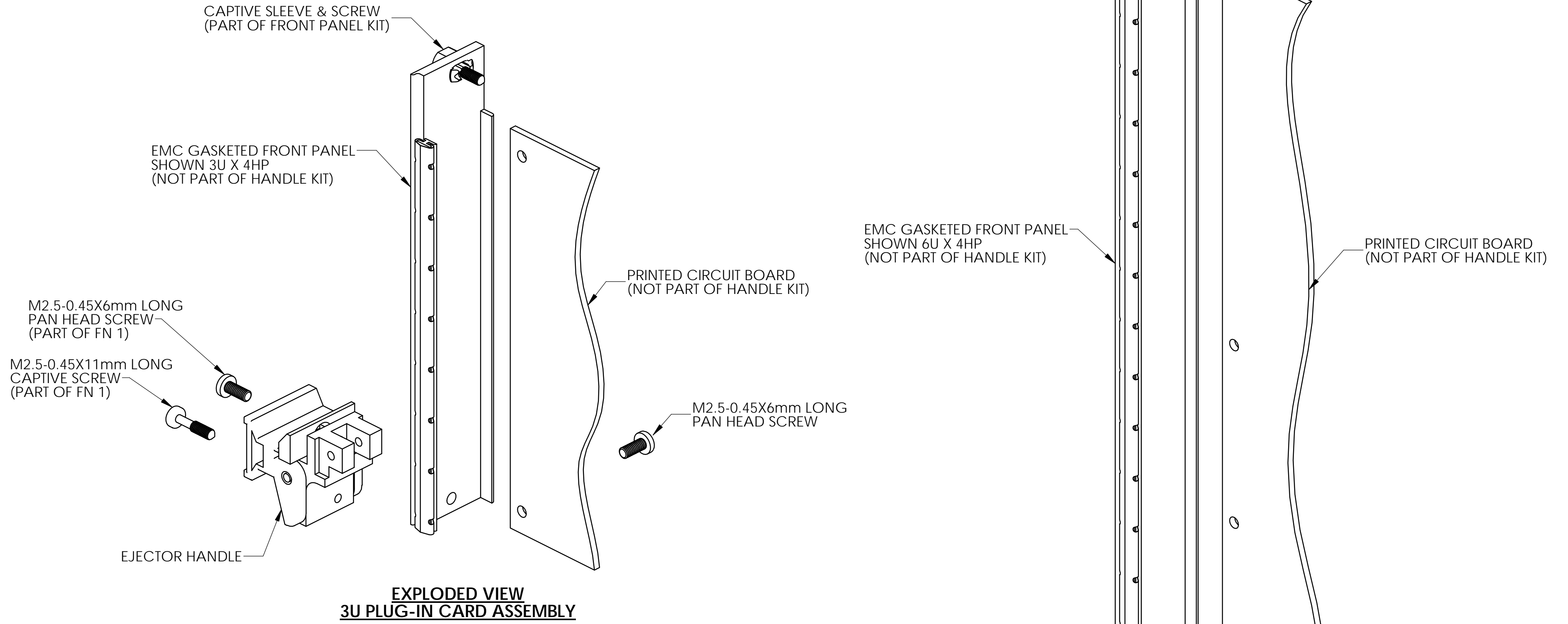
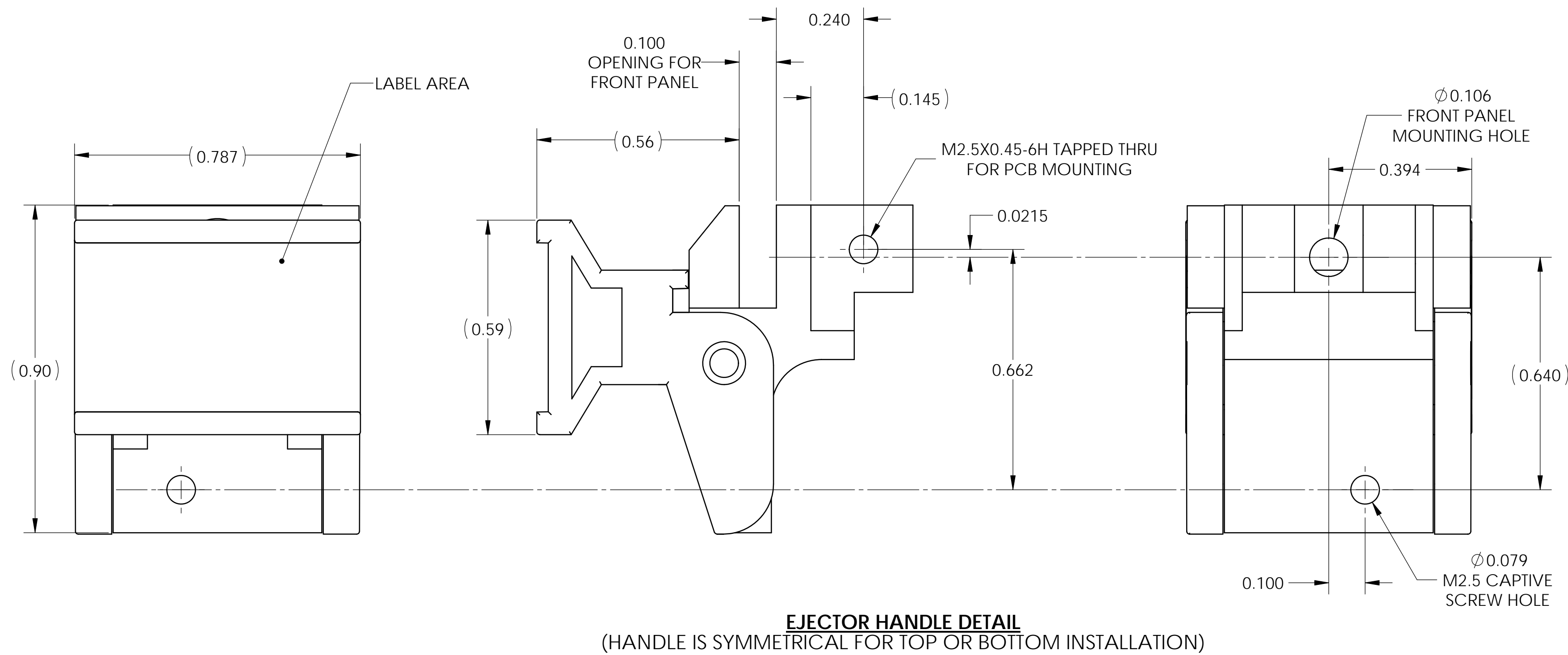
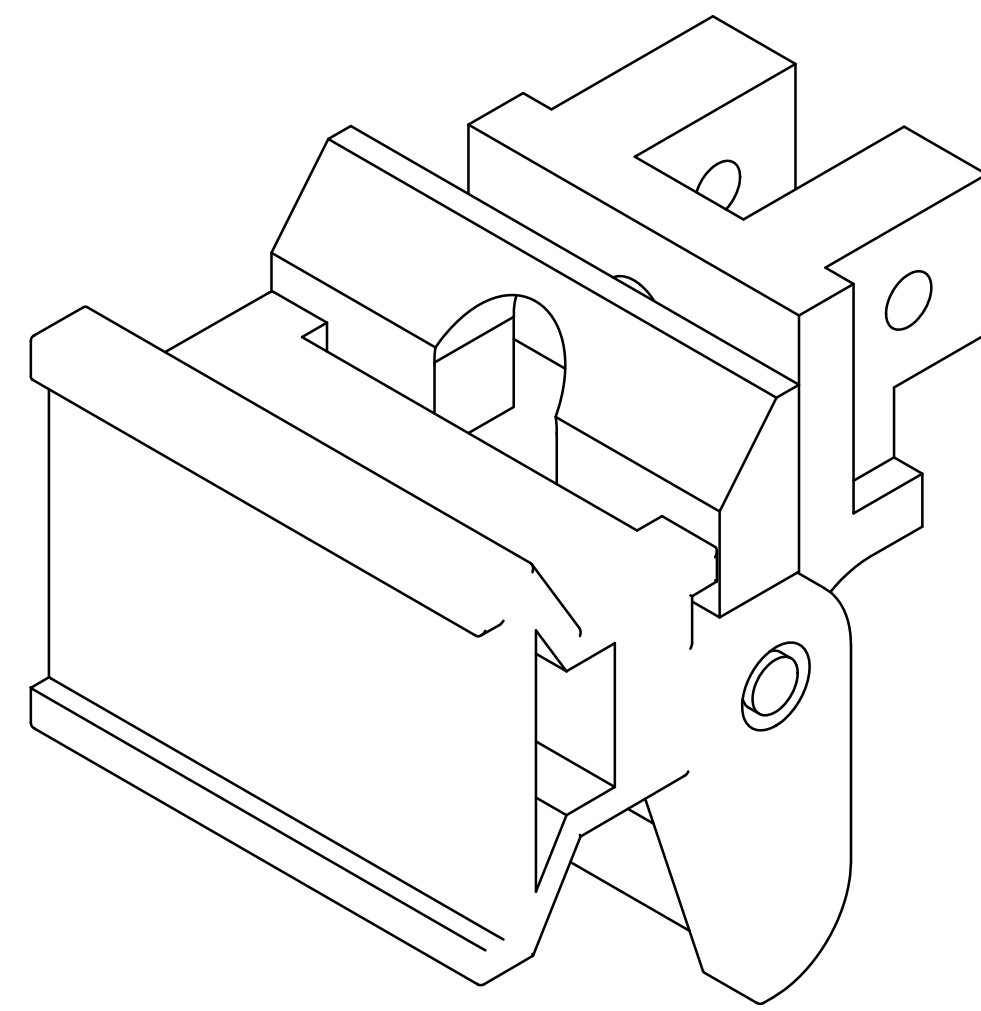
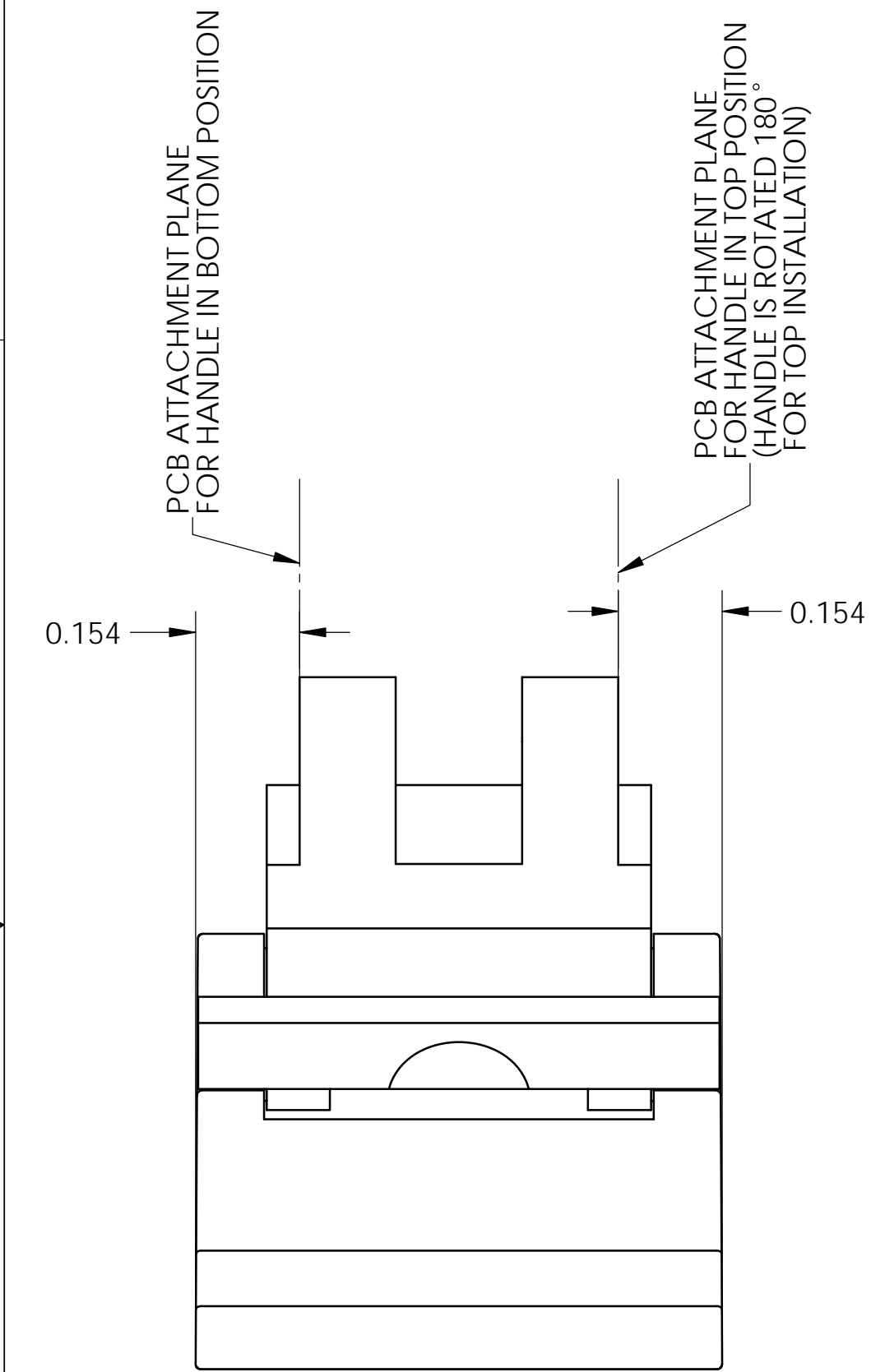
REVISIONS				
ZONE	REV	DESCRIPTION	DATE	APPROVED
ALL	A	INITIAL RELEASE	07/22/15	

90100043 PARTS LIST
 (FOR 3U FRONT PANEL ASSEMBLY)

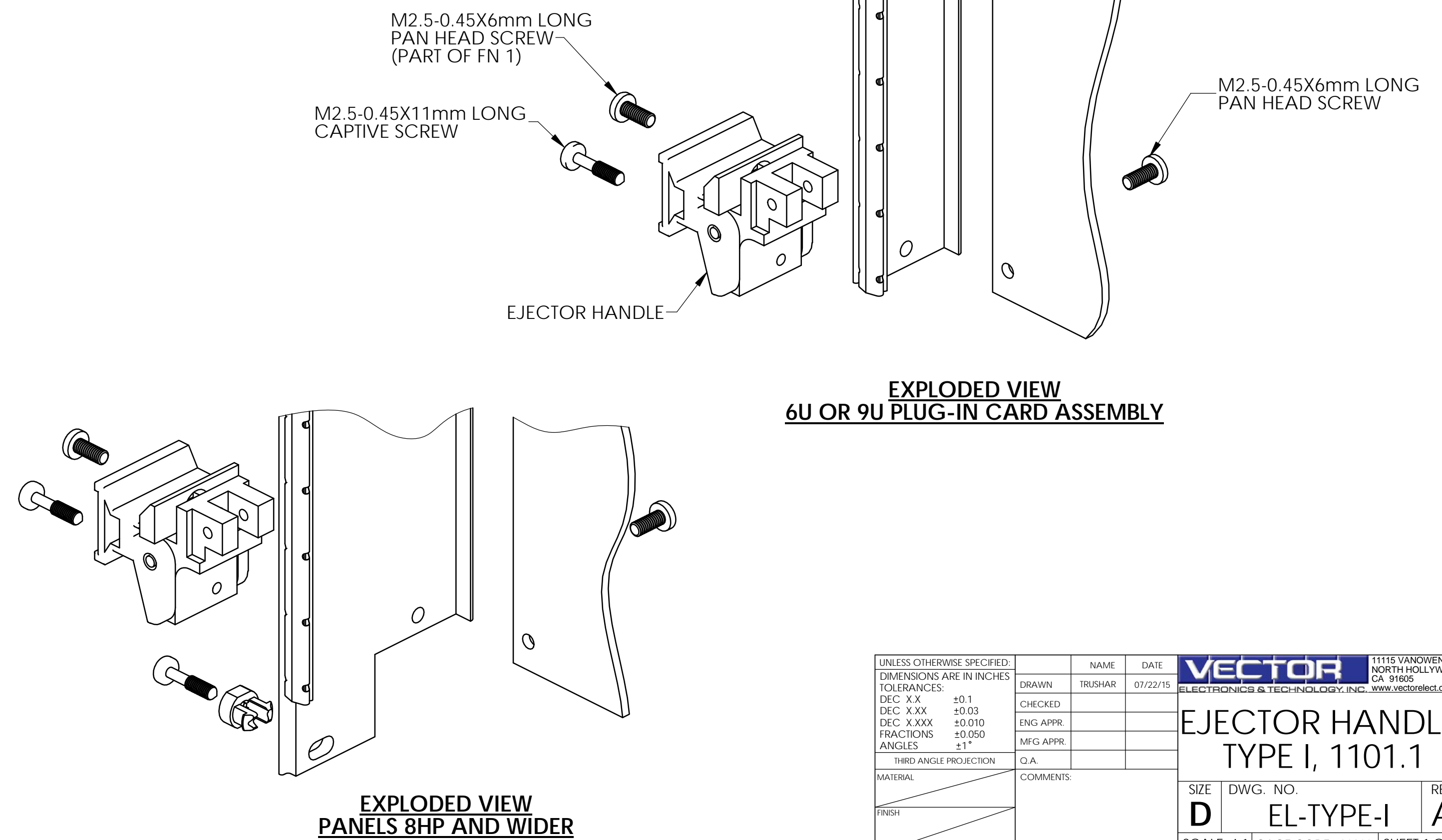
FIND NO	DESCRIPTION	PART NO	QTY	U/M
1	EJECTOR HANDLE, TYPE I	90100043#	1	EACH
2	SCREW, PAN HEAD, M2.5-0.45X6mm	88000066	1	EACH
3	ASSEMBLY INSTRUCTION SHEET	IN406	1	EACH

90100044 PARTS LIST
 (FOR 6U OR 9U FRONT PANEL ASSEMBLY)

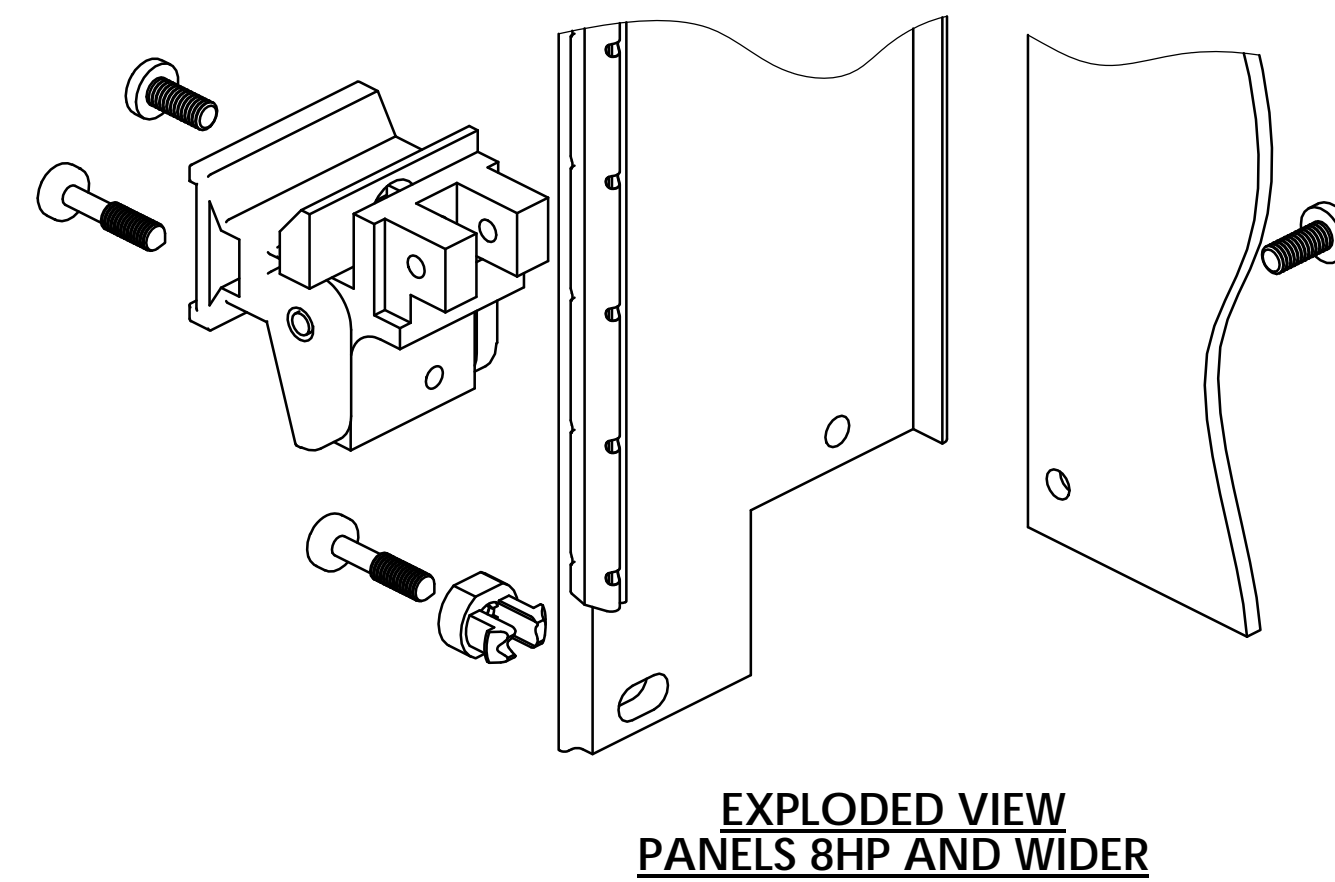
FIND NO	DESCRIPTION	PART NO	QTY	U/M
1	EJECTOR HANDLE, TYPE I	90100043#	2	EACH
2	SCREW, PAN HEAD, M2.5-0.45X6mm	88000066	2	EACH
3	ASSEMBLY INSTRUCTION SHEET	IN406	1	EACH



EXPLODED VIEW
3U PLUG-IN CARD ASSEMBLY



EXPLODED VIEW
6U OR 9U PLUG-IN CARD ASSEMBLY



EXPLODED VIEW
PANELS 8HP AND WIDER

UNLESS OTHERWISE SPECIFIED: DIMENSIONS ARE IN INCHES TOLERANCES:	DRAWN	TRISHAR	DATE	07/22/15	 TITUS YANOSHEN BY NORTH HOLLYWOOD, CA 91655 www.vectorselect.com
DEC .X.X ±0.1	CHECKED				
DEC .X.XXX ±0.03	ENG APPR				
DEC .X.XXXX ±0.010	MFG APPR				
FRACTIONS ±0.050	Q.A.				
ANGLES ±1°	THIRD ANGLE PROJECTION				
MATERIAL	COMMENTS:				
FINISH					

EJECTOR HANDLE,
TYPE I, 1101.1

SIZE	DWG. NO.	REV
D	EL-TYPE-I	A
SCALE: 4:1 CAGE CODE: 82893 SHEET 1 OF 1		