

PROPRIETARY AND CONFIDENTIAL
 THE INFORMATION CONTAINED IN THIS DRAWING IS THE SOLE PROPERTY OF VECTOR ELECTRONICS & TECHNOLOGY, INC. ANY REPRODUCTION IN PART OR AS A WHOLE WITHOUT THE WRITTEN PERMISSION OF VECTOR ELECTRONICS & TECHNOLOGY, INC. IS PROHIBITED.

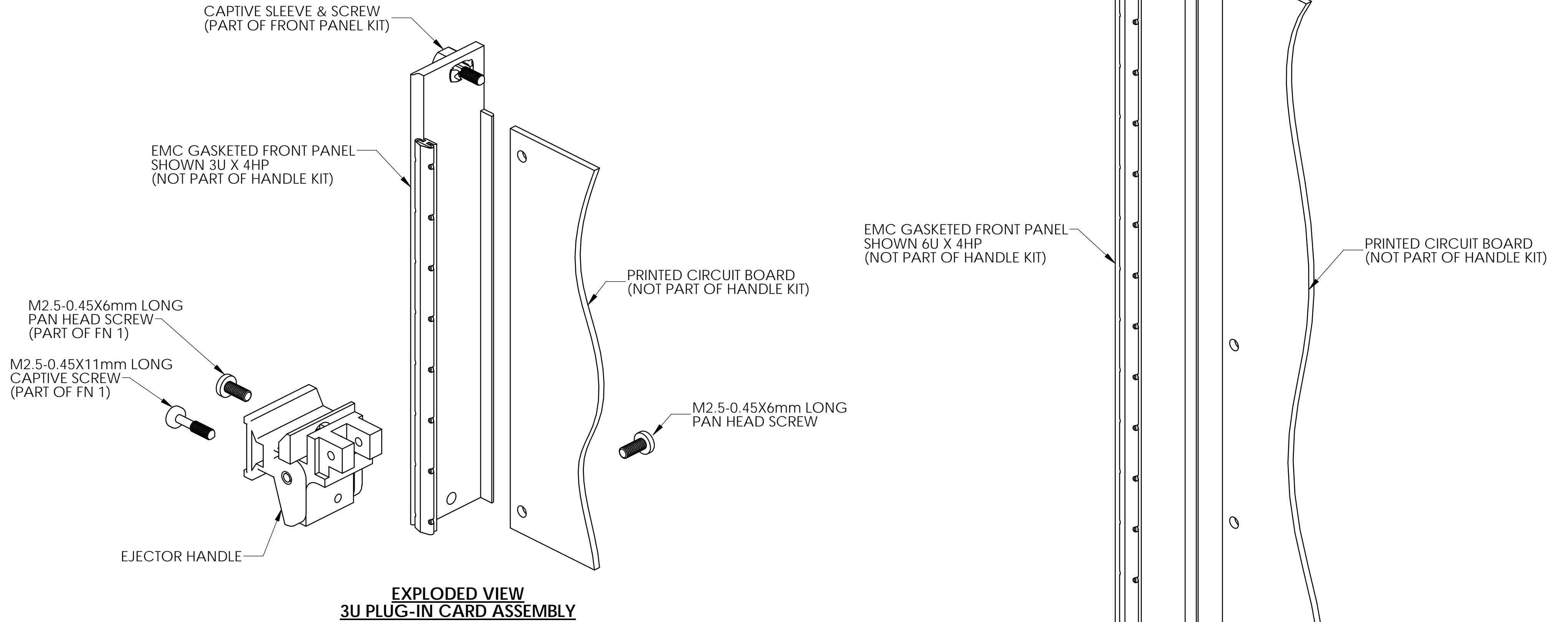
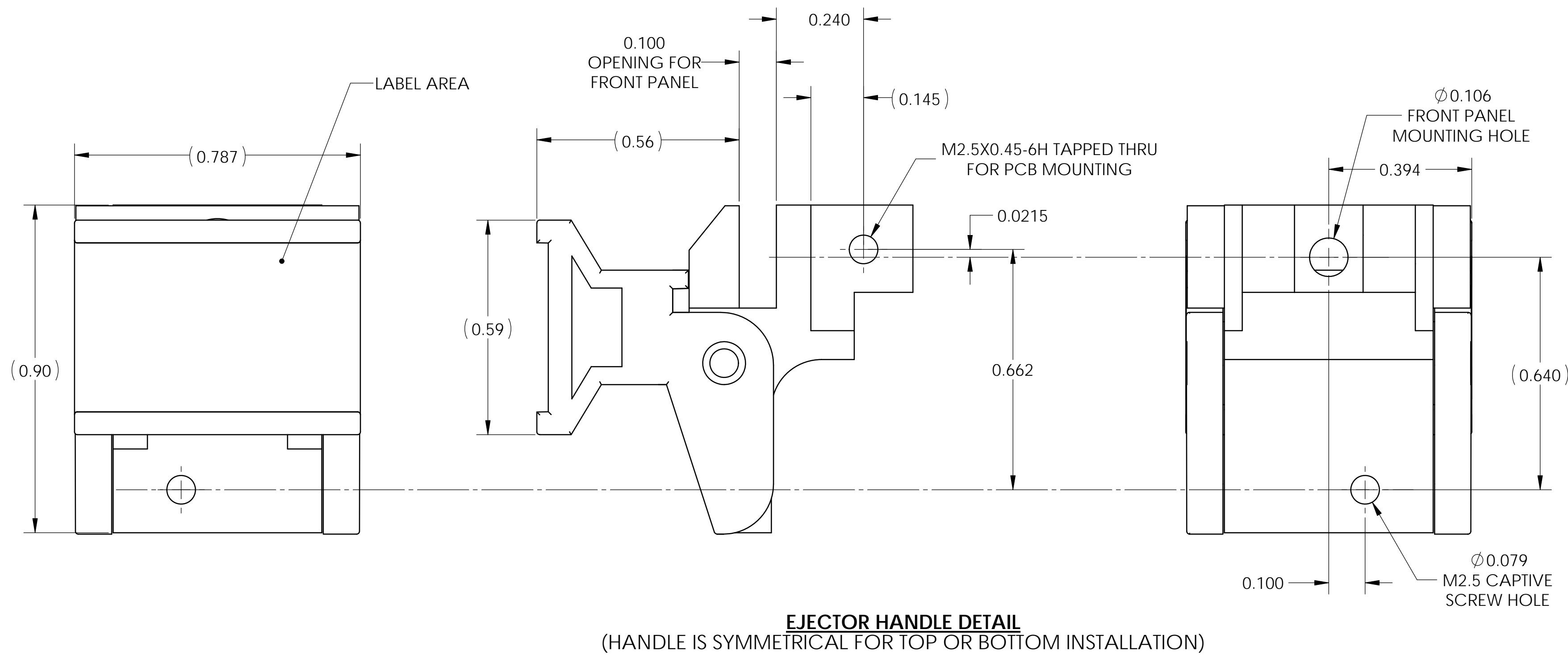
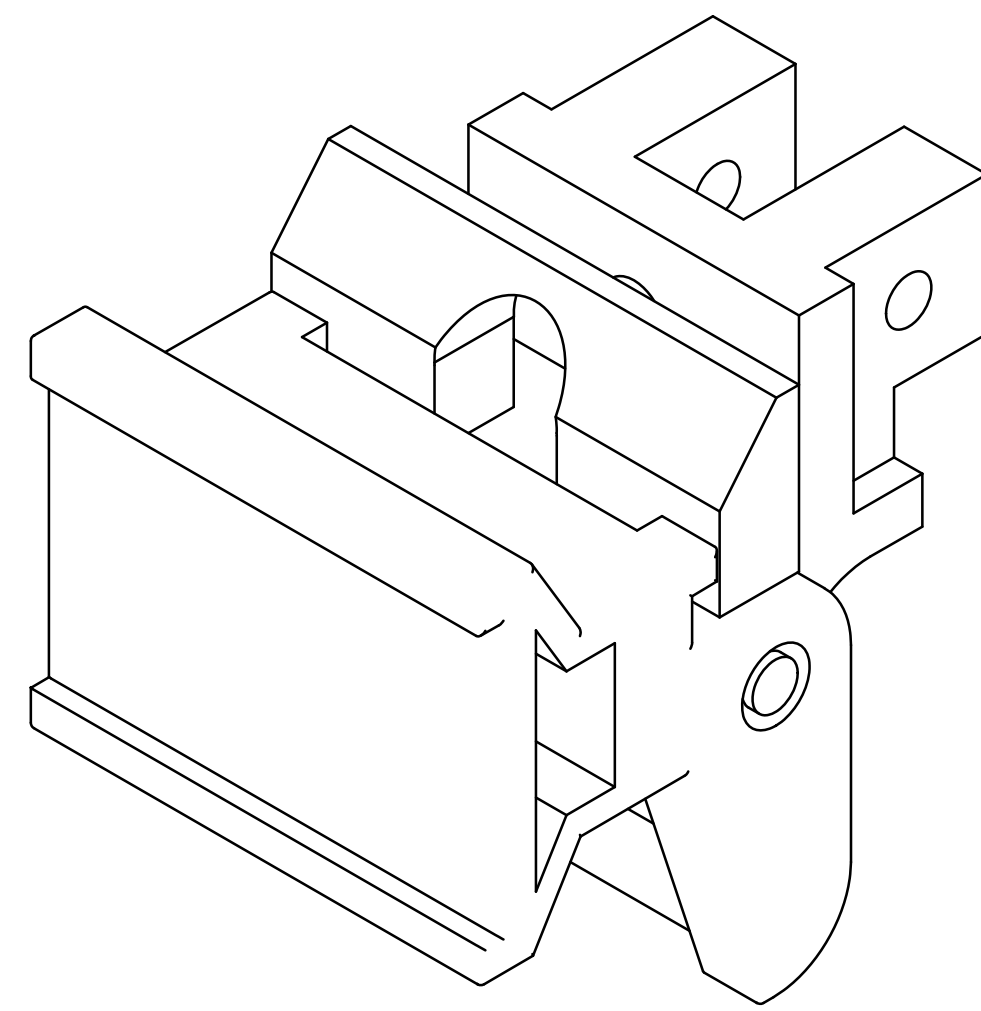
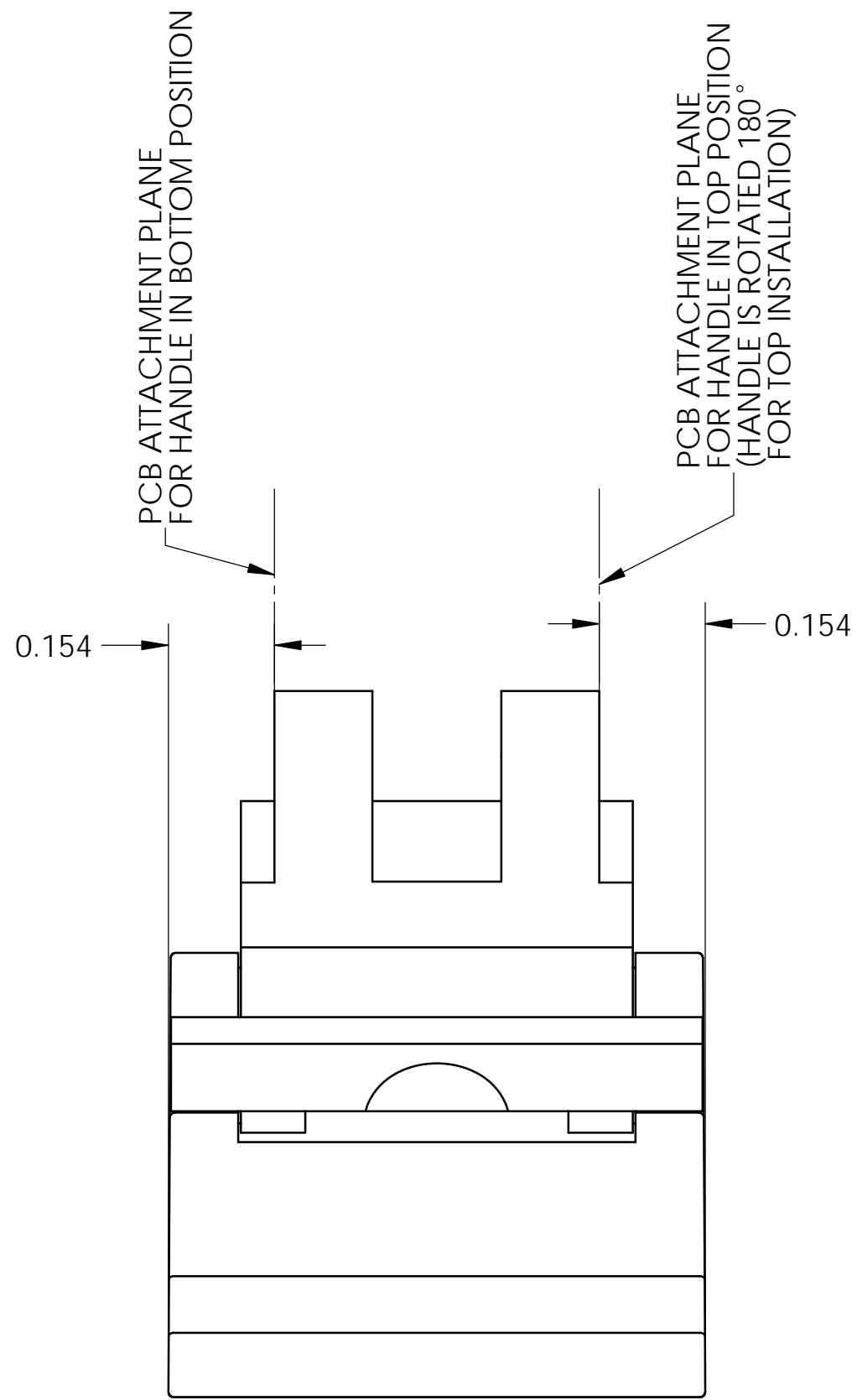
| REVISIONS | | | | |
|-----------|-----|-----------------|----------|----------|
| ZONE | REV | DESCRIPTION | DATE | APPROVED |
| ALL | A | INITIAL RELEASE | 07/22/15 | |

90100043 PARTS LIST
 (FOR 3U FRONT PANEL ASSEMBLY)

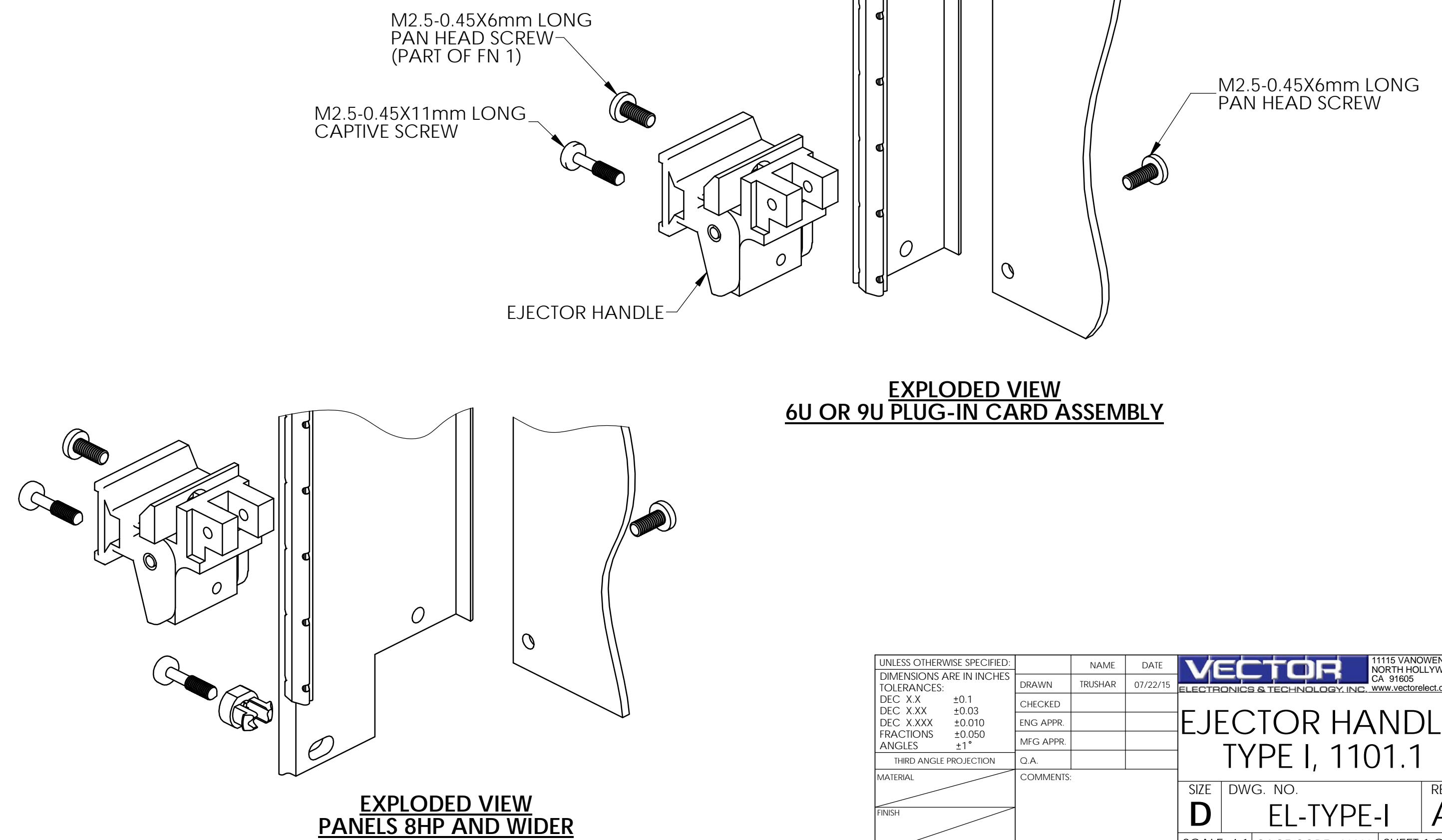
| FIND NO | DESCRIPTION | PART NO | QTY | U/M |
|---------|--------------------------------|-----------|-----|------|
| 1 | EJECTOR HANDLE, TYPE I | 90100043# | 1 | EACH |
| 2 | SCREW, PAN HEAD, M2.5-0.45X6mm | 88000066 | 1 | EACH |
| 3 | ASSEMBLY INSTRUCTION SHEET | IN406 | 1 | EACH |

90100044 PARTS LIST
 (FOR 6U OR 9U FRONT PANEL ASSEMBLY)

| FIND NO | DESCRIPTION | PART NO | QTY | U/M |
|---------|--------------------------------|-----------|-----|------|
| 1 | EJECTOR HANDLE, TYPE I | 90100043# | 2 | EACH |
| 2 | SCREW, PAN HEAD, M2.5-0.45X6mm | 88000066 | 2 | EACH |
| 3 | ASSEMBLY INSTRUCTION SHEET | IN406 | 1 | EACH |



**EXPLODED VIEW
 3U PLUG-IN CARD ASSEMBLY**



**EXPLODED VIEW
 6U OR 9U PLUG-IN CARD ASSEMBLY**

**EXPLODED VIEW
 PANELS 8HP AND WIDER**

| | | | | | |
|---|------------------------|-----------|------|----------|---|
| UNLESS OTHERWISE SPECIFIED, DIMENSIONS ARE IN INCHES. TOLERANCES: | DRAWN | TRISHAR | DATE | 07/22/15 | TITUS YANOSHEN BY NORTH HOLLYWOOD, CA 91655 www.vectorselect.com |
| DEC. X.X ±0.1 | CHECKED | | | | |
| DEC. X.XXX ±0.03 | ENG APPR | | | | |
| DEC. X.XXXX ±0.010 | MFG APPR | | | | |
| FRACTIONS ±0.050 | Q.A. | | | | |
| ANGLES ±1° | THIRD ANGLE PROJECTION | COMMENTS: | | | |
| MATERIAL | | | | | |
| FINISH | | | | | |

EJECTOR HANDLE, TYPE I, 1101.1

| | | |
|--|-----------|-----|
| SIZE | DWG. NO. | REV |
| D | EL-TYPE-I | A |
| SCALE: 4:1 CAGE CODE: 82893 SHEET 1 OF 1 | | |