

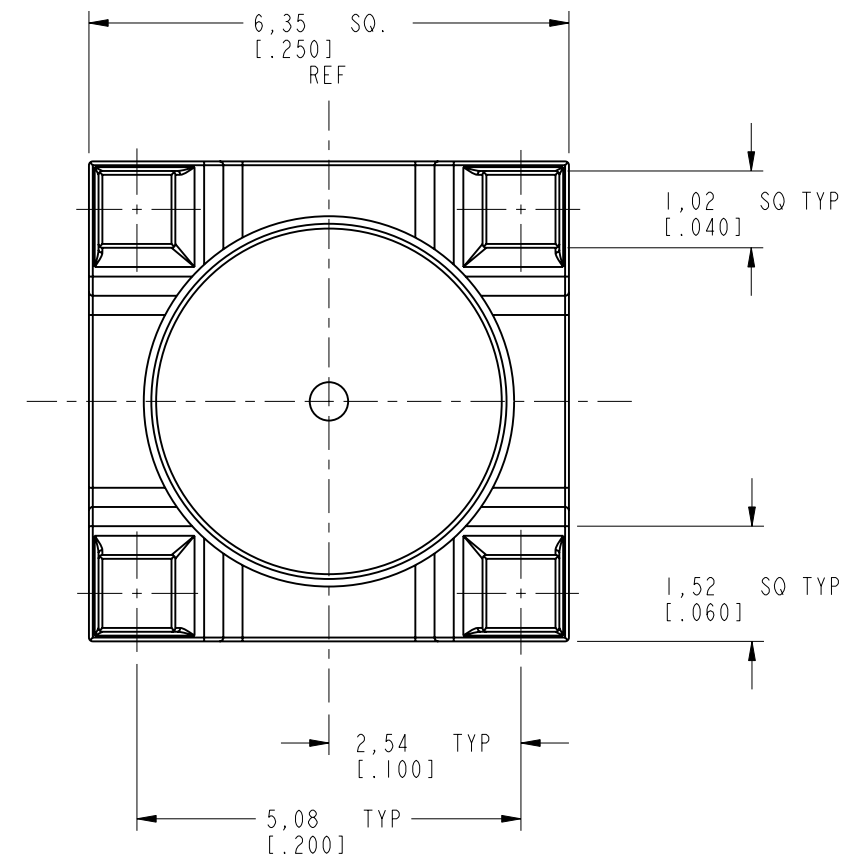
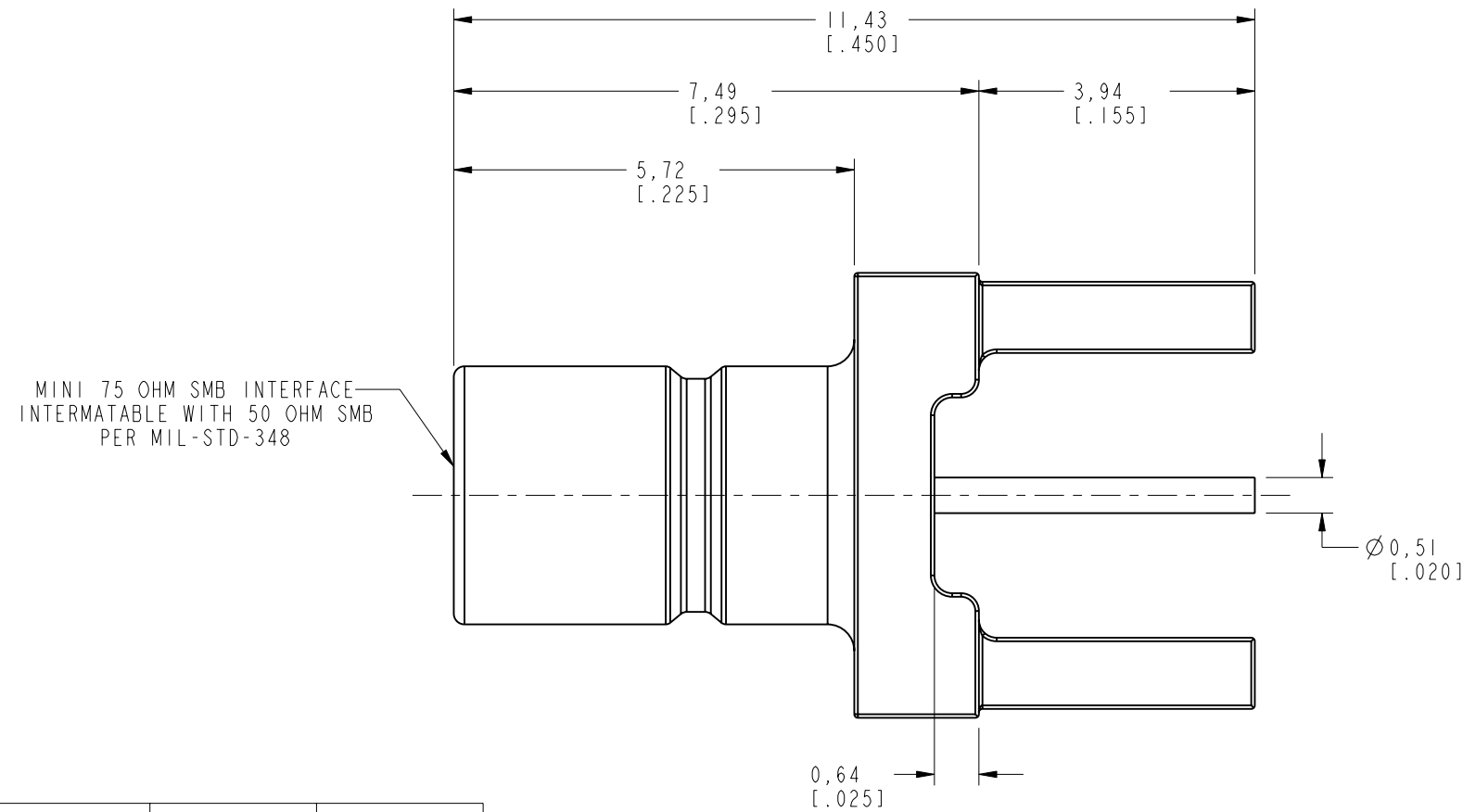
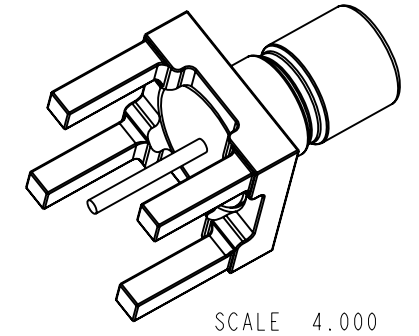
NOTES:

1. MATERIALS AND FINISHES:
 BODY: ZINC DIE-CAST, GOLD PLATED
 CONTACT: BRASS, GOLD PLATED
 INSULATOR: TFE FLUOROCARBON
2. ELECTRICAL:
 A. IMPEDANCE: 75 OHM
 B. FREQUENCY RANGE: 0-2 GHz
 C. DIELECTRIC WITHSTANDING VOLTAGE: 1000 VRMS MIN
 D. INSULATION RESISTANCE: 1000 MEGOHMS
3. MECHANICAL:
 DURABILITY: 500 CYCLES MIN
 TEMPERATURE RANGE: -65°C TO 165°C
4. PACKAGING:
 MARKING: "AMPHENOL 903-581J-71P, QTY, WORK ORDER #, AND DATE CODE"

THIRD ANGLE PROJ.

REVISIONS

| REV | DESCRIPTION | DATE | ECO | APPR |
|-----|-----------------------|-----------|-------|---------|
| A | RELEASE TO MFG | 10/7/99 | 43145 | PB/TA |
| B | SEE SHEET I | 7/14/00 | 43432 | CPM |
| C | SEE SHEET I | 9/13/00 | 43506 | CPM/ORB |
| D | UPDATED NOTES | 2/21/01 | 43680 | CPM |
| E | SEE SHEET I | 9/12/05 | 45701 | CPM |
| F | TRANSFER TO ARFA | 04-May-12 | 48746 | SH |
| G | ADD ASSEMBLE STANDARD | 29-Oct-12 | 49272 | SH |



| PART NUMBER | PACKAGING | STATUS |
|---------------|----------------------|--------|
| 903-581J-71P | TRAY/COVER | |
| 903-581J-71PB | BULKPACK 200 PCS. | OBS |

CUSTOMER OUTLINE DRAWING

ALL OTHER SHEETS ARE FOR INTERNAL USE ONLY

| | | | | | |
|---|---|------------------------|-------------------|--|--|
| UNLESS OTHERWISE SPECIFIED, DIMENSIONS ARE IN METRIC AND TOLERANCES ARE: < 0.5mm ± 0.05mm 0.5 - 6mm ± 0.1mm 6 - 30mm ± 0.2mm 30 - 120mm ± 0.3mm ANGLES ± 1° | MATERIAL | DRAWN J. SHAO | DATE 27-Apr-12 | TITLE MINI 75 OHM SMB JACK PC MOUNT | Amphenol RF Danbury CT USA, Tainan, Taiwan, Shenzhen, China www.amphenolrf.com |
| | REFERENCE EAR # 102-967217-1 AND | ENGINEER P. BRENZEL | DATE 9/13/00 | | |
| NOTICE - These drawings, specifications, or other data (1) are, and remain the property of Amphenol corp. (2) must be returned upon request; and (3) are confidential and not to be disclosed to any person other than those to whom they are given by Amphenol Corp. the furnishing of these drawings, specifications, or other data by Amphenol Corp., or to any other person to anyone for any purpose is not to be regarded by implication or otherwise in any manner licensing, granting rights to permitting such holder or any other person to manufacture, use or sell any product, process or design, patented or otherwise, that may in any way be related to or disclosed by said drawings, specifications, or other data. | CONFIGURATION LEVEL: <input type="checkbox"/> <input type="checkbox"/> <input type="checkbox"/> | APPROVED S. HSIHE | DATE 27-Apr-12 | SCALE: 10.0:1.0 SHEET 2 OF 2 | ITEM NO. 903-581J-71PX |
| | FINISH | I: /SMB/903-581J-71PX | CAD FILE | DWG SIZE B | REV G |