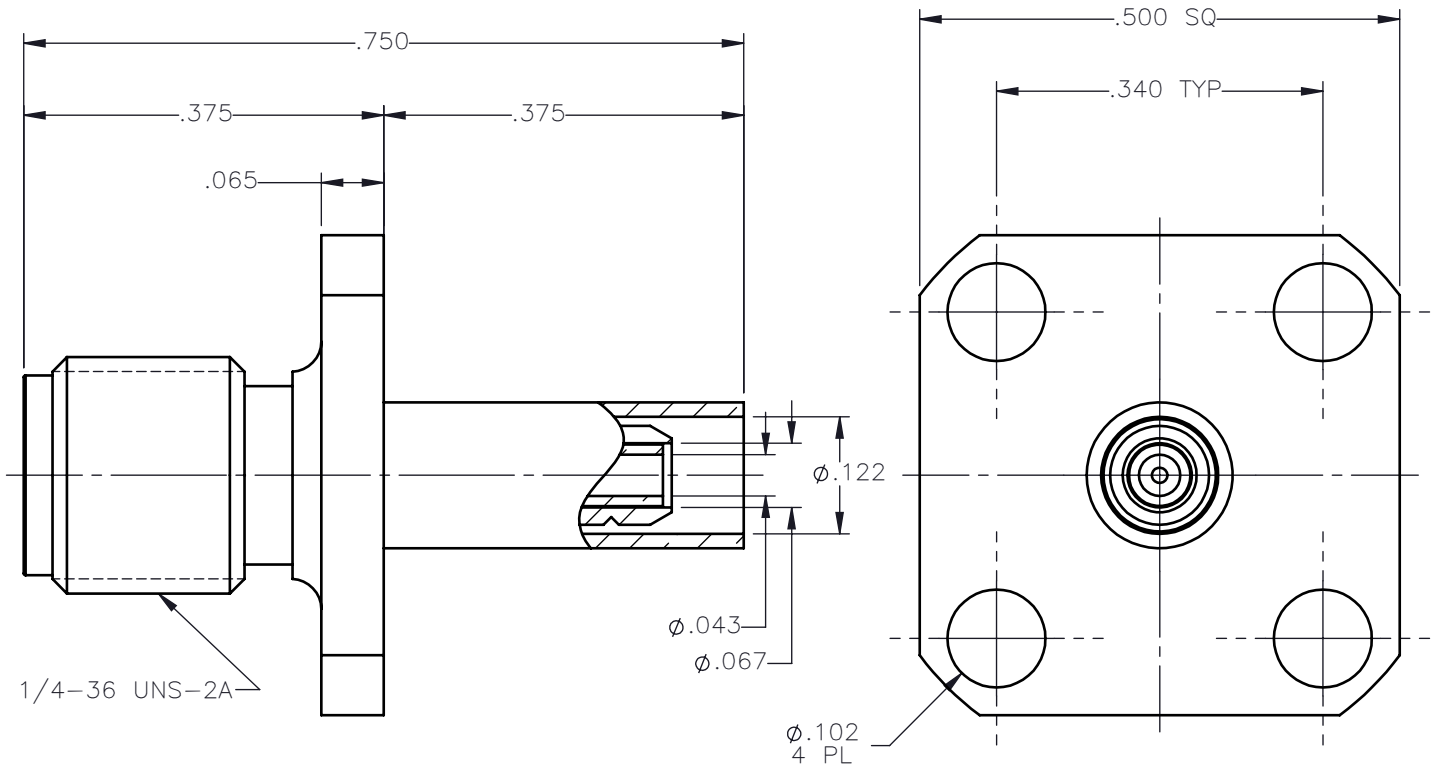
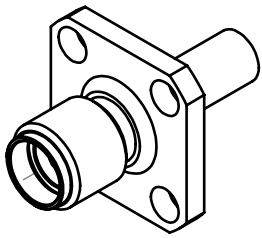


REVISIONS			
REV.	DESCRIPTION	DATE	APPROVED
A	INITIAL RELEASE	10/15/14	N.D.





NOTES:

MATERIALS:

- BODY = STAINLESS STEEL PER ASTM A582, ALLOY 303, CONDITION "A".
- INSULATORS = VIRGIN WHITE TEFLON PER ASTM D1710, GRADE 1, TYPE I, CLASS "B".
- CONTACT = BERYLLIUM COPPER PER ASTM B196, ALLOY C17300, TEMPER TD04.
- CRIMP SLEEVE = SEAMLESS LOWLEAD BRASS TUBE, ALLOY 330, SOFT ANNEAL TEMPER, .025/.060 GRAIN SIZE OR SEAMLESS COPPER TUBE PER ASTM B75, TYPE C12000, TEMPER: LIGHT ANNEAL O50 EXCEPT YIELD STRENGTH.
- BUSHING = BRASS PER ASTM B16, ALLOY C36000, TEMPER H02.
- SHRINK SLEEVE = THERMOFIT SCL, BLACK (NOT SHOWN)

FINISHES:

- BODY = PASSIVATE PER SAE-AMS-2700
- CONTACT = GOLD PLATE PER ASTM B488-01, TYPE II, 50µin MIN, GRADE C, OVER 100 TO 200µin STRESS FREE SULFAMATE NICKEL PER QQ-N-290.
- CRIMP SLEEVE & BUSHING = NICKEL PLATE PER QQ-N-290, 50µin MIN, GRADE G, EXCEPT 100 TO 200µin THICK OVER 50 TO 100µin THICK COPPER PER MIL-C-14550.

UNLESS OTHERWISE SPECIFIED DIMENSIONS ARE IN INCHES TOLERANCES ON	DWN:	DATE	 Property of Radiall This document cannot be reproduced or communicated to a third party without prior written permission of RADIALL.			
	N.D.	10/15/14				
DECIMAL	ANGLE	CHKD:	DATE	SMA STRAIGHT JACK 4 HOLE FLANGE/CRIMP TYPE FOR RG-178 CABLE & SIMILAR CABLES		
		J.S.	10/15/14			
		APVD:	DATE			
		J.M.	10/15/14			
ORIGINATED: N.D. DATE: 10/15/14	MATERIALS AND FINISHES: SEE NOTES		SIZE A	FSCM NO. 19505	DWG NO. 9031-9023-002	REV A
			SCALE 5:1	THIRD ANGLE PROJECTION	SHEET 1 OF 1	

9031-9023-002