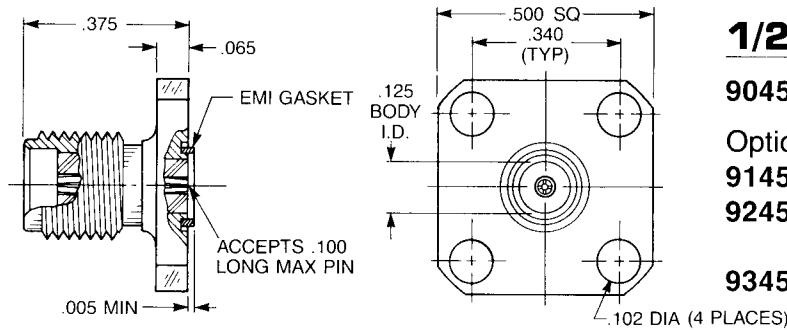


SMA Hermetic Seal Launchers

For hermetic seals with .012" diameter pins

Straight Jacks



1/2" Square Flange

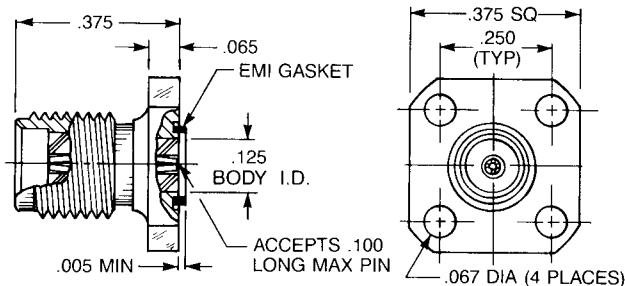
9045-9513-000

Optional packaging:

9145-9513-000 (Includes 920-55)

9245-9513-000 (Includes 920-55 and 907-111-1)

9345-9513-000 (Includes 907-111-1)



3/8" Square Flange

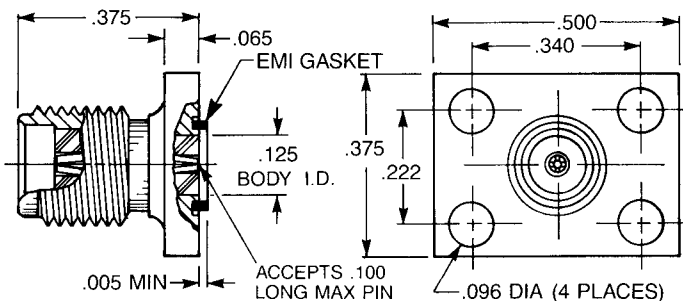
9079-9513-000

Optional packaging:

9179-9513-000 (Includes 920-55)

9279-9513-000 (Includes 920-55 and 907-111-1)

9379-9513-000 (Includes 907-111-1)



Rectangular Flange

9062-9513-000

Optional packaging:

9162-9513-000 (Includes 920-55)

9262-9513-000 (Includes 920-55 and 907-111-1)

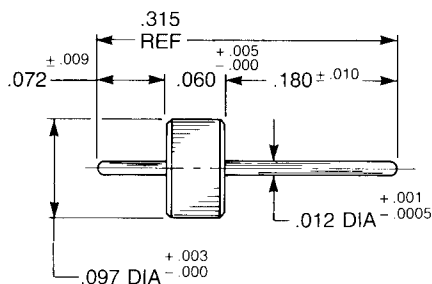
9362-9513-000 (Includes 907-111-1)

These units accept hermetic seal pin diameters .011-.015"

Hermetic Seal and Accessory Contact

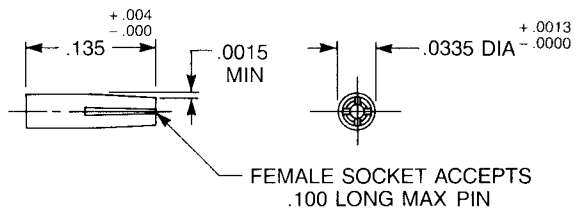
Solder-In Hermetic Seal

P/N 920-55



Accessory Contact

P/N 907-111-1



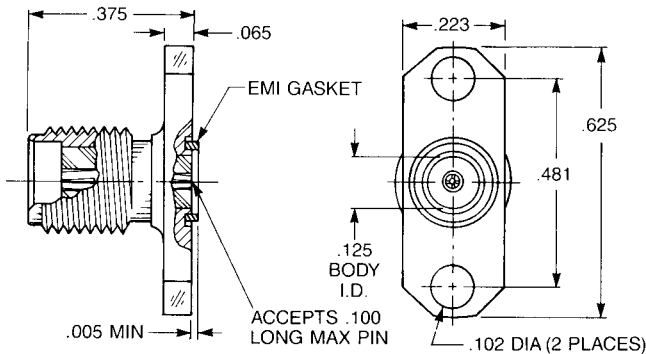
Material: Beryllium copper

Finish: Gold per MIL-G-45204, type II, class I, grade C, over .0001 copper per MIL-C-14550

SMA Hermetic Seal Launchers

For hermetic seals with .012" diameter pins

Straight Jacks



2-Hole Flange

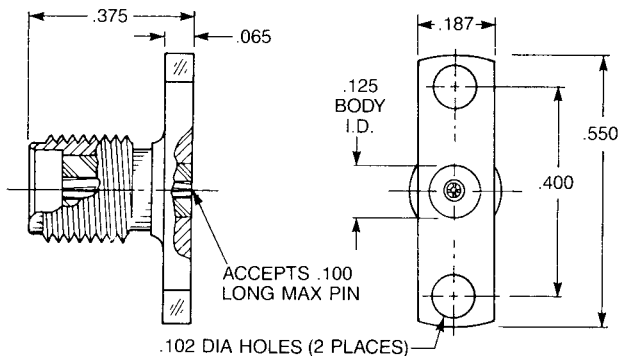
9044-9513-000

Optional packaging:

9144-9513-000 (Includes 920-55)

9244-9513-000 (Includes 920-55 and 907-111-1)

9344-9513-000 (Includes 907-111-1)



Narrow 2-Hole Flange

No EMI gasket

9080-9513-000

Optional packaging:

9180-9513-000 (Includes 920-55)

9280-9513-000 (Includes 920-55 and 907-111-1)

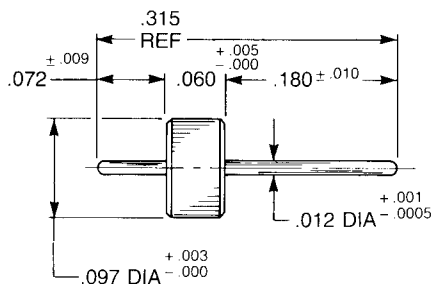
9380-9513-000 (Includes 907-111-1)

These units accept hermetic seal pin diameters .011-.015"

Hermetic Seal and Accessory Contact

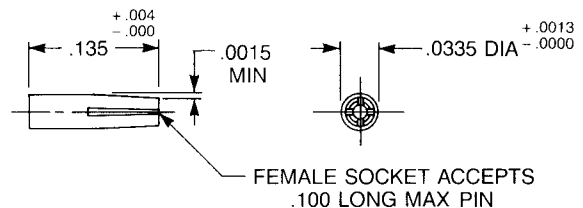
Solder-In Hermetic Seal

P/N 920-55



Accessory Contact

P/N 907-111-1



Material: Beryllium copper

Finish: Gold per MIL-G-45204, type II, class I, grade C, over .0001 copper per MIL-C-14550

SMA Hermetic Seal Launchers

For hermetic seals with .012" diameter pins

Straight Plugs

1/2" Square Flange

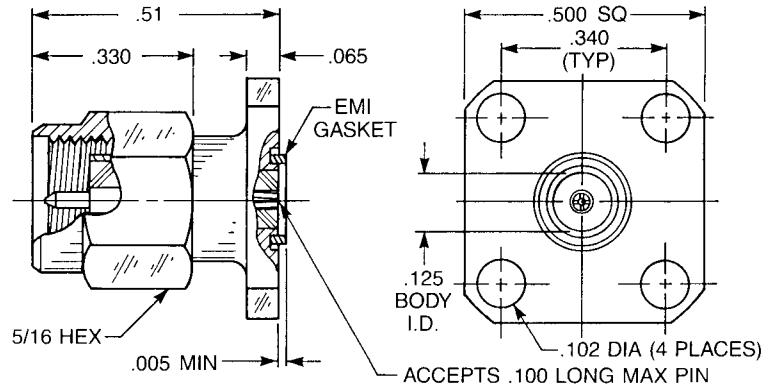
9047-9513-000

Optional packaging:

9147-9513-000 (Includes 920-55)

9247-9513-000 (Includes 920-55 and 907-111-1)

9347-9513-000 (Includes 907-111-1)



2-Hole Flange

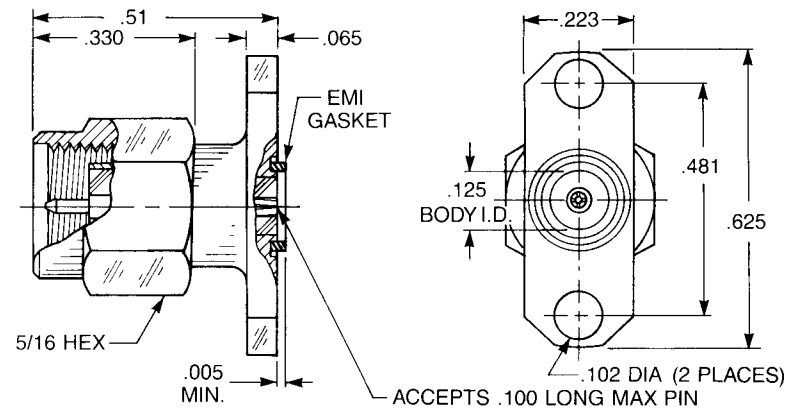
9046-9513-000

Optional packaging:

9146-9513-000 (Includes 920-55)

9246-9513-000 (Includes 920-55 and 907-111-1)

9346-9513-000 (Includes 907-111-11)

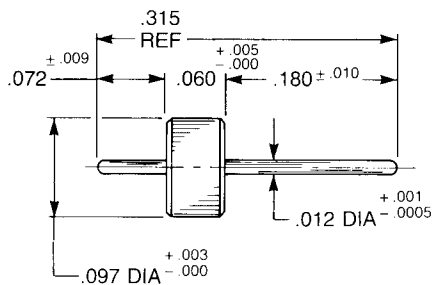


These units accept hermetic seal pin diameters .011-.015"

Hermetic Seal and Accessory Contact

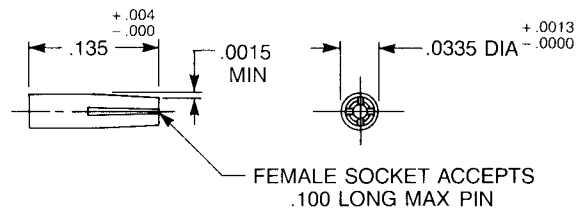
Solder-In Hermetic Seal

P/N 920-55



Accessory Contact

P/N 907-111-1



Material: Beryllium copper

Finish: Gold per MIL-G-45204, type II, class I, grade C, over .0001 copper per MIL-C-14550



APPLIED ENGINEERING PRODUCTS

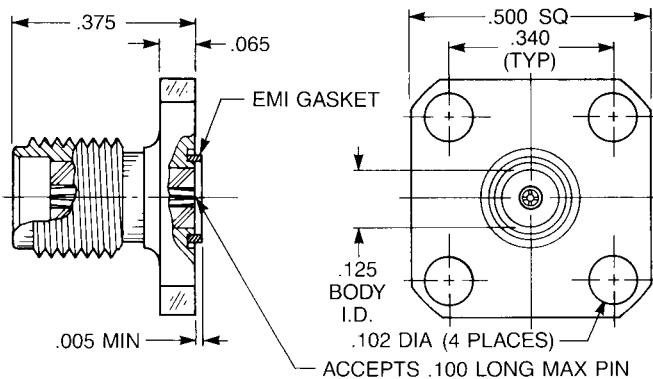
(203) 776-2813 • FAX (203) 776-8294

www.aepconnectors.com • aepsales@aepconnectors.com

SMA Hermetic Seal Launchers

For hermetic seals with .015" diameter pins

Straight Jacks



1/2" Square Flange

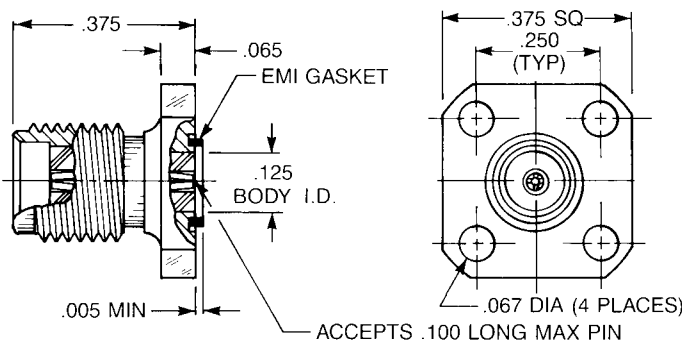
9045-9513-001

Optional packaging:

9145-9513-001 (Includes 920-82)

9245-9513-001 (Includes 920-82 and 907-111-5)

9345-9513-001 (Includes 907-111-5)



3/8" Square Flange

9079-9513-001

Optional packaging:

9179-9513-001 (Includes 920-82)

9279-9513-001 (Includes 920-82 and 907-111-5)

9379-9513-001 (Includes 907-111-5)

Rectangular Flange

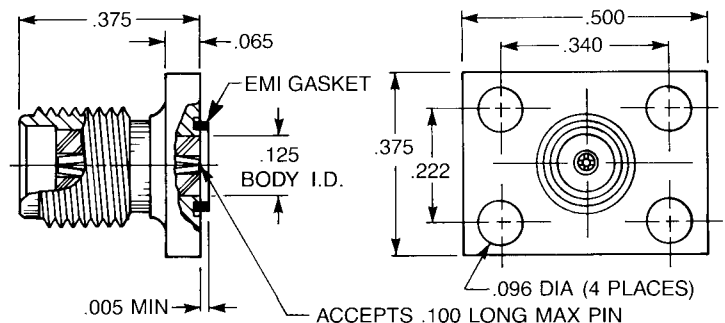
9062-9513-001

Optional packaging:

9162-9513-001 (Includes 920-82)

9262-9513-001 (Includes 920-82 and 907-111-5)

9362-9513-001 (Includes 907-111-5)

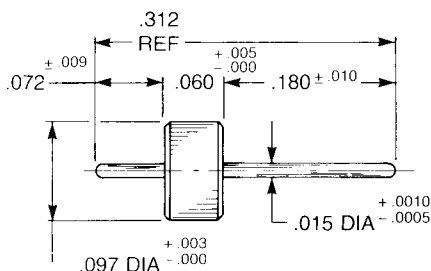


These units accept hermetic seal pin diameters .014-.016"

Hermetic Seal and Accessory Contact

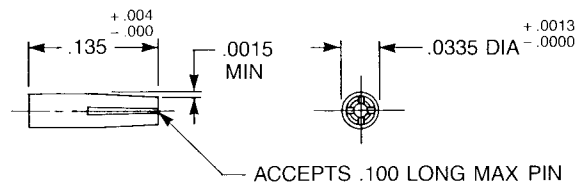
Solder-In Hermetic Seal

P/N 920-82



Accessory Contact

P/N 907-111-5



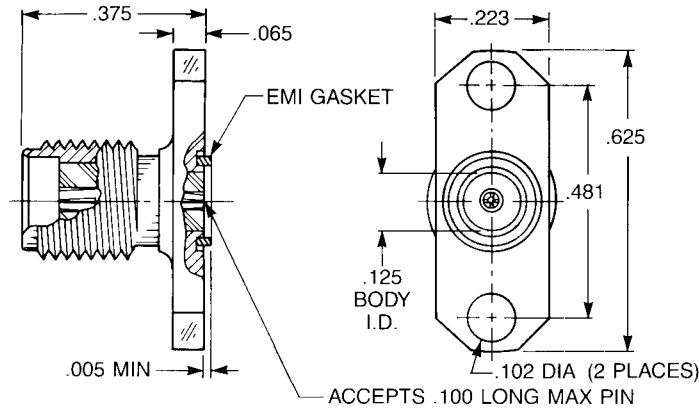
Material: Beryllium copper.

Finish: Gold per MIL-G-45204, type II, class 1, grade C, over .0001 copper per MIL-C-14450.

SMA Hermetic Seal Launchers

For hermetic seals with .015" diameter pins

Straight Jacks



2-Hole Flange

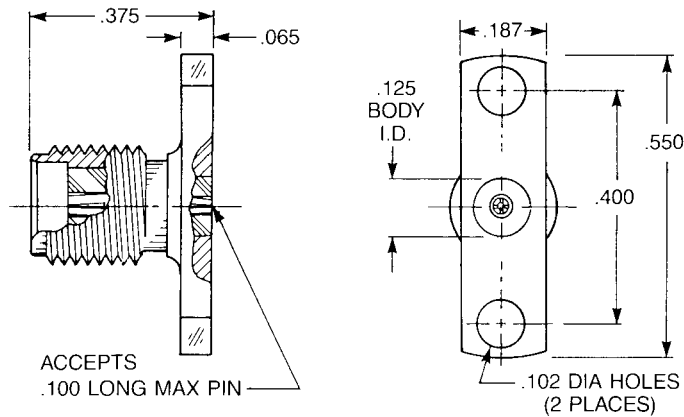
9044-9513-001

Optional packaging:

9144-9513-001 (Includes 920-82)

9244-9513-001 (Includes 920-82 and 907-111-5)

9344-9513-001 (Includes 907-111-5)



Narrow 2-Hole Flange

No EMI gasket

9080-9513-001

Optional packaging:

9180-9513-001 (Includes 920-82)

9280-9513-001 (Includes 920-82 and 907-111-5)

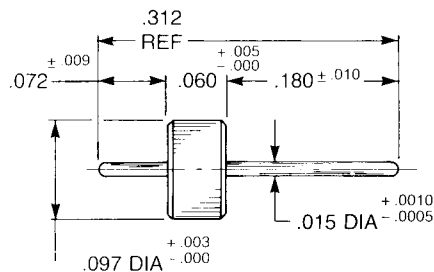
9380-9513-001 (Includes 907-111-5)

These units accept hermetic seal pin diameters .014-.016"

Hermetic Seal and Accessory Contact

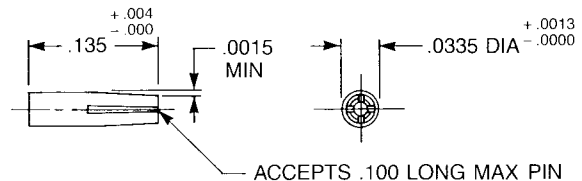
Solder-In Hermetic Seal

P/N 920-82



Accessory Contact

P/N 907-111-5



Material: Beryllium copper.

Finish: Gold per MIL-G-45204, type II, class 1, grade C, over .0001 copper per MIL-C-14450.

SMA Hermetic Seal Launchers

For hermetic seals with .015" diameter pins

Straight Plugs

1/2" Square Flange

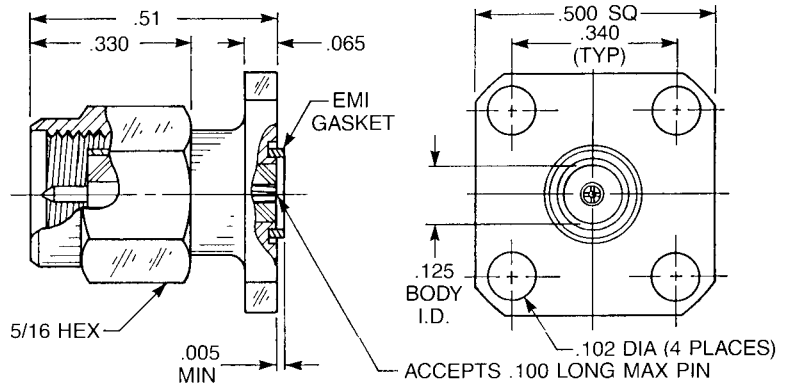
9047-9513-001

Optional packaging:

9147-9513-001 (Includes 920-82)

9247-9513-001 (Includes 920-82 and 907-111-5)

9347-9513-001 (Includes 907-111-5)



2-Hole Flange

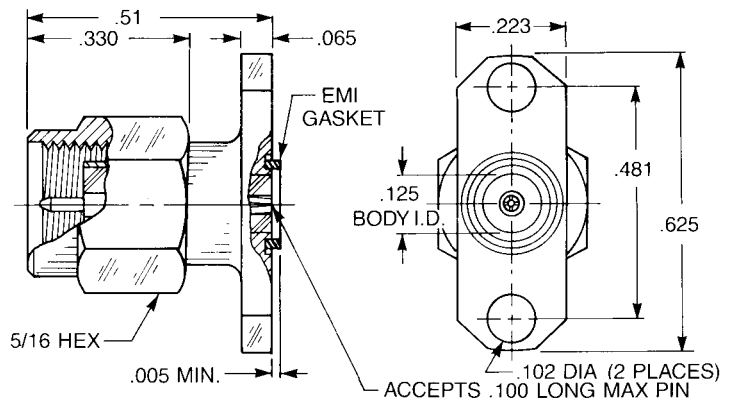
9046-9513-001

Optional packaging:

9146-9513-001 (Includes 920-82)

9246-9513-001 (Includes 920-82 and 907-111-5)

9346-9513-001 (Includes 907-111-5)

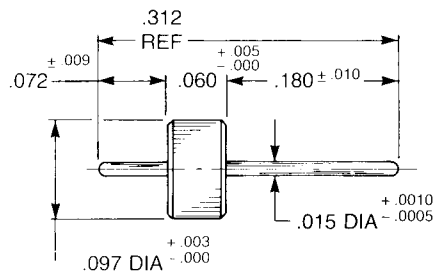


These units accept hermetic seal pin diameters .014-.016"

Hermetic Seal and Accessory Contact

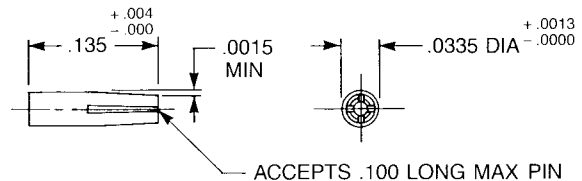
Solder-In Hermetic Seal

P/N 920-82



Accessory Contact

P/N 907-111-5



Material: Beryllium copper.

Finish: Gold per MIL-G-45204, type II, class 1, grade C, over .0001 copper per MIL-C-14450.



APPLIED ENGINEERING PRODUCTS

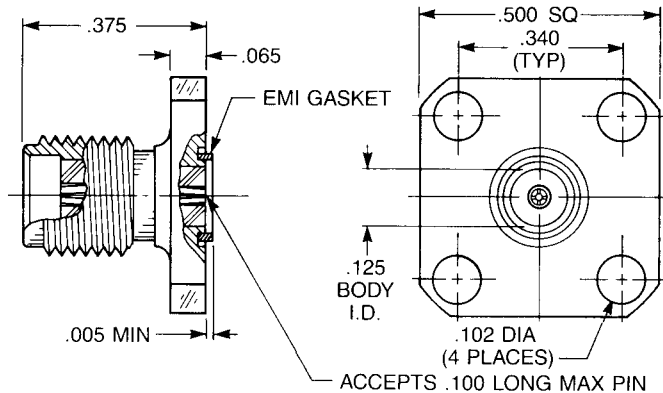
(203) 776-2813 • FAX (203) 776-8294

www.aepconnectors.com • aepsales@aepconnectors.com

SMA Hermetic Seal Launchers

For hermetic seals with .018" diameter pins

Straight Jacks



1/2" Square Flange

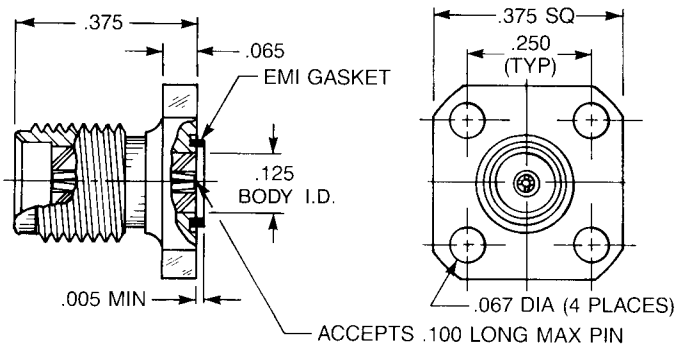
9049-9513-000

Optional packaging:

9149-9513-000 (Includes 920-56)

9249-9513-000 (Includes 920-56 and 907-111-2)

9349-9513-000 (Includes 907-111-2)



3/8" Square Flange

9074-9513-000

Optional packaging:

9174-9513-000 (Includes 920-56)

9274-9513-000 (Includes 920-56 and 907-111-2)

9374-9513-000 (Includes 907-111-2)

Rectangular Flange

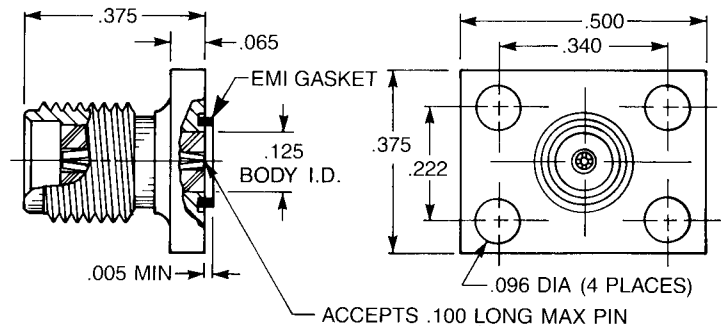
9068-9513-000

Optional packaging:

9168-9513-000 (Includes 920-56)

9268-9513-000 (Includes 920-56 and 907-111-2)

9368-9513-000 (Includes 907-111-2)

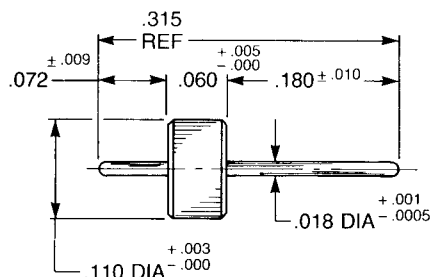


These units accept hermetic seal pin diameters .016-.020"

Hermetic Seal and Accessory Contact

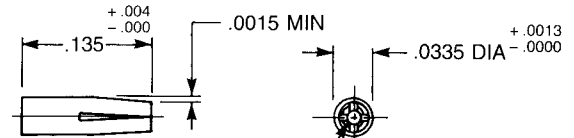
Solder-In Hermetic Seal

P/N 920-56



Accessory Contact

P/N 907-111-2



ACCEPTS .100 LONG MAX PIN

Material: Beryllium copper

Finish: Gold per MIL-G-45204, type II, class 1, grade C over .0001 copper per MIL-C-14450



APPLIED ENGINEERING PRODUCTS

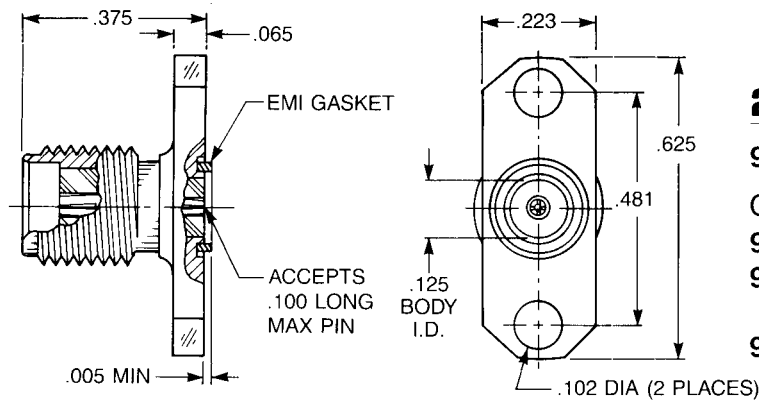
(203) 776-2813 • FAX (203) 776-8294

www.aepconnectors.com • aepsales@aepconnectors.com

SMA Hermetic Seal Launchers

For hermetic seals with .018" diameter pins

Straight Jacks



2-Hole Flange

9048-9513-000

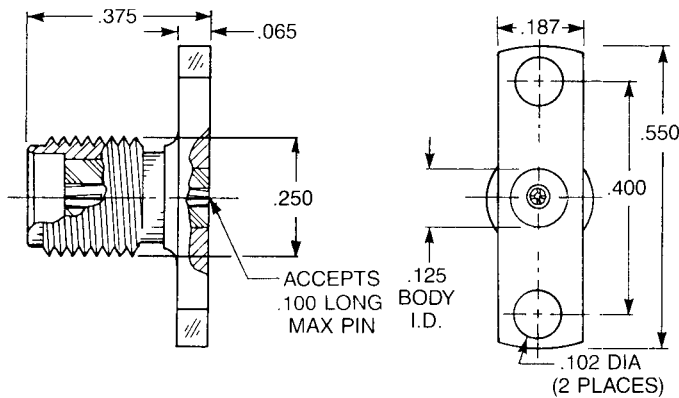
Optional packaging:

9148-9513-000 (Includes 920-56)

9248-9513-000 (Includes 920-56

and 907-111-2)

9348-9513-000 (Includes 907-111-2)



Narrow 2-Hole Flange

No EMI gasket

9081-9513-000

Optional packaging:

9181-9513-000 (Includes 920-56)

9281-9513-000 (Includes 920-56

and 907-111-2)

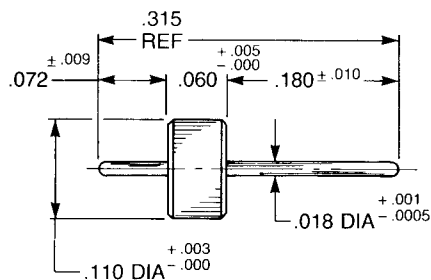
9381-9513-000 (Includes 907-111-2)

These units accept hermetic seal pin diameters .016-.020"

Hermetic Seal and Accessory Contact

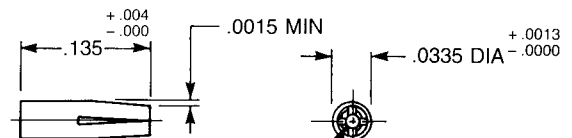
Solder-In Hermetic Seal

P/N 920-56



Accessory Contact

P/N 907-111-2



ACCEPTS .100 LONG MAX PIN

Material: Beryllium copper

Finish: Gold per MIL-G-45204, type II, class 1,
grade C over .0001 copper per MIL-C-14450

SMA Hermetic Seal Launchers

For hermetic seals with .018" diameter pins

Straight Plugs

1/2" Square Flange

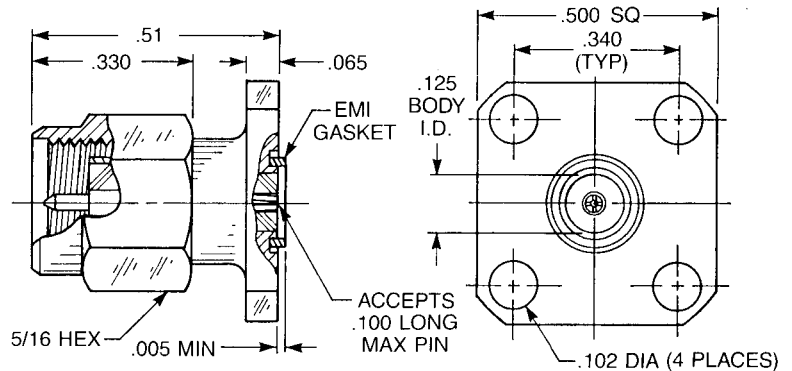
9051-9513-000

Optional packaging:

9151-9513-000 (Includes 920-56)

9251-9513-000 (Includes 920-56 and 907-111-2)

9351-9513-000 (Includes 907-111-2)



2-Hole Flange

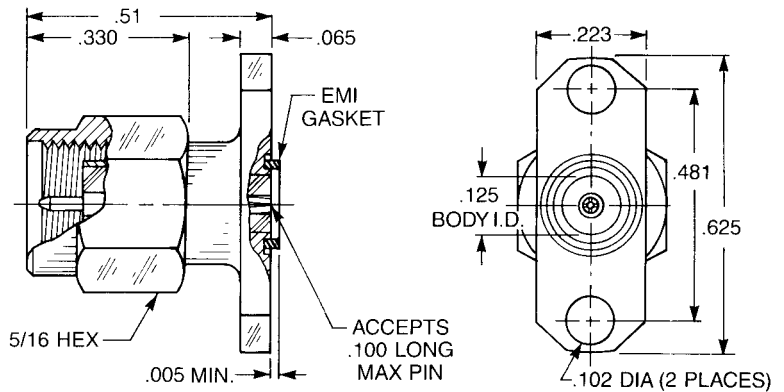
9050-9513-000

Optional packaging:

9150-9513-000 (Includes 920-56)

9250-9513-000 (Includes 920-56 and 907-111-2)

9350-9513-000 (Includes 907-111-2)

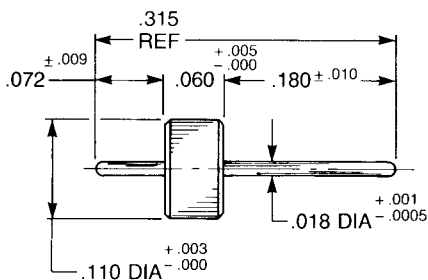


These units accept hermetic seal pin diameters .016-.020"

Hermetic Seal and Accessory Contact

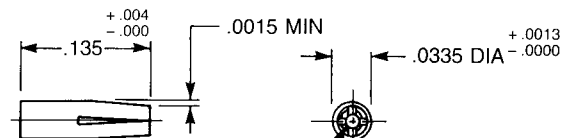
Solder-In Hermetic Seal

P/N 920-56



Accessory Contact

P/N 907-111-2



ACCEPTS .100 LONG MAX PIN

Material: Beryllium copper

Finish: Gold per MIL-G-45204, type II, class 1, grade C over .0001 copper per MIL-C-14450



APPLIED ENGINEERING PRODUCTS

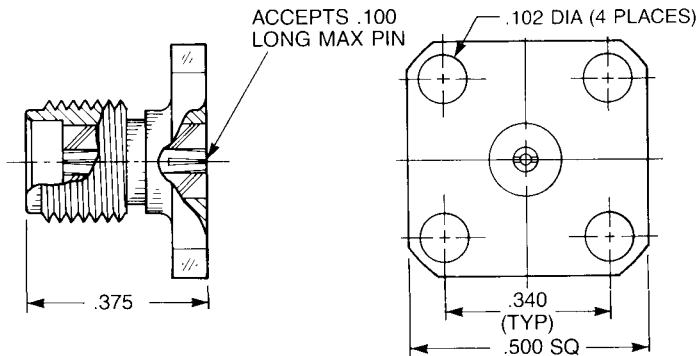
(203) 776-2813 • FAX (203) 776-8294

www.aepconnectors.com • aepsales@aepconnectors.com

SMA Hermetic Seal Launchers

For hermetic seals with .020" diameter pins

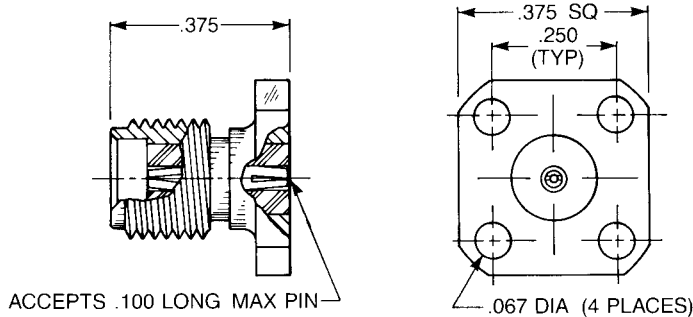
Straight Jacks



Straight Jack 1/2" Square Flange

9504-9113-031

9504-9113-034 (Includes 920-69)



Straight Jack 3/8" Square Flange

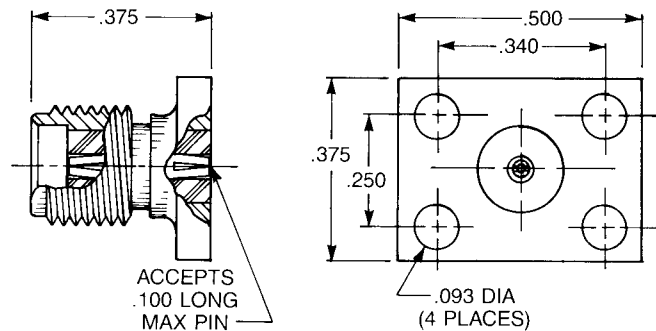
9576-9113-001

9576-9113-002 (Includes 920-69)

Straight Jack Rectangular Flange

9507-9113-003

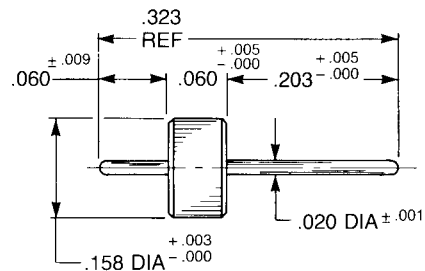
9507-9113-004 (Includes 920-69)



Hermetic Seal and Accessory Contact

Solder-In Hermetic Seal

P/N 920-69



APPLIED ENGINEERING PRODUCTS

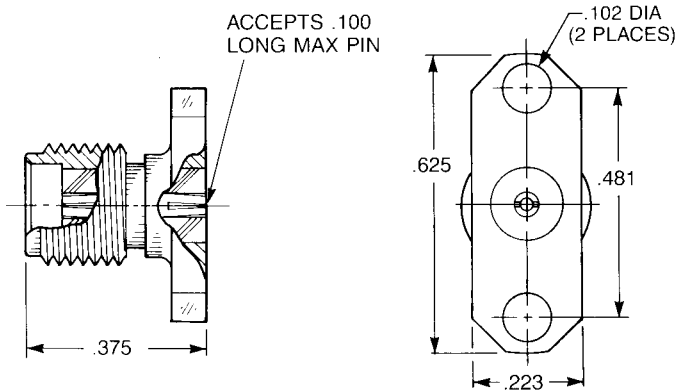
(203) 776-2813 • FAX (203) 776-8294

www.aepconnectors.com • aepsales@aepconnectors.com

SMA Hermetic Seal Launchers

For hermetic seals with .020" diameter pins

Straight Jacks



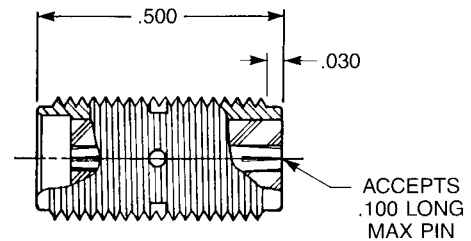
Straight Jack 2-Hole Flange

9508-9113-002
9508-9113-003 (Includes 920-69)

Straight Jack Screw-In Mounting

9513-9113-009
9513-9113-012 (Includes 920-69)

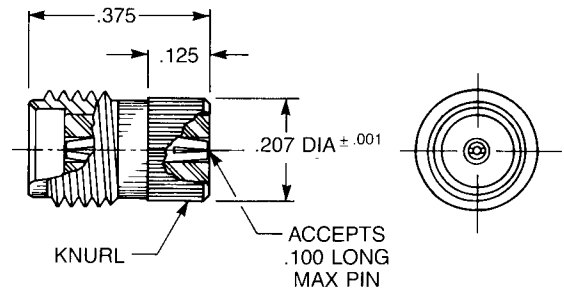
These connectors require a minimum package wall thickness of .250" for proper retention



Straight Jack Knurl Mount

9533-9113-003
9533-9113-002 (Includes 920-69)

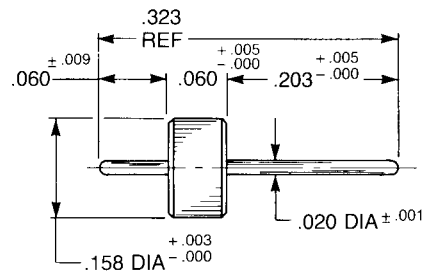
These connectors require a minimum package wall thickness of .235" for proper retention



Hermetic Seal and Accessory Contact

Solder-In Hermetic Seal

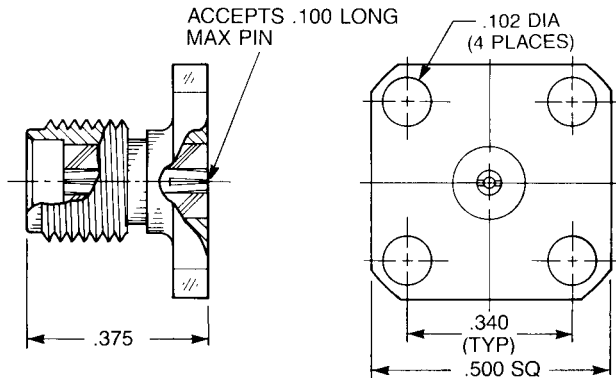
P/N 920-69



SMA Hermetic Seal Launchers

For hermetic seals with .036" diameter pins

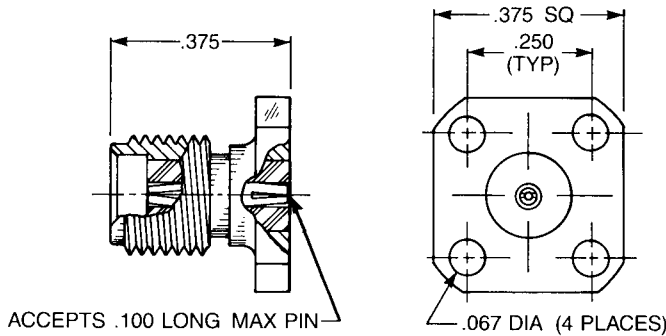
Straight Jacks



Straight Jack 1/2" Square Flange

9504-9113-009

9504-9113-035 (Includes 920-92)



Straight Jack 3/8" Square Flange

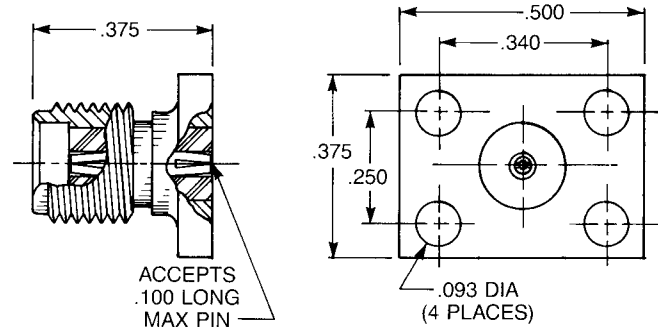
9576-9113-003

9576-9113-004 (Includes 920-92)

Straight Jack Rectangular Flange

9507-9113-005

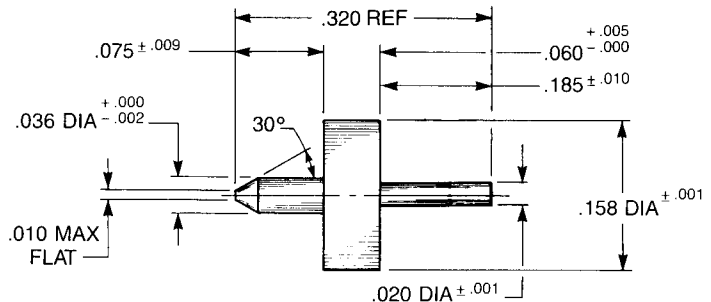
9507-9113-006 (Includes 920-92)



Hermetic Seal and Accessory Contact

Solder-In Hermetic Seal

P/N 920-92



APPLIED ENGINEERING PRODUCTS

(203) 776-2813 • FAX (203) 776-8294

www.aepconnectors.com • aepsales@aepconnectors.com