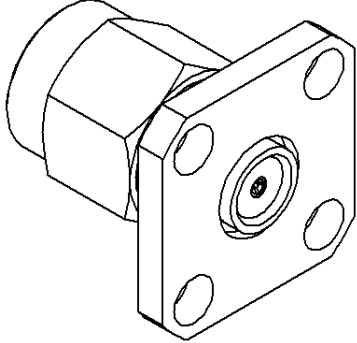
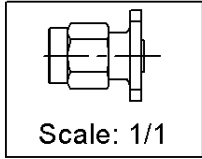
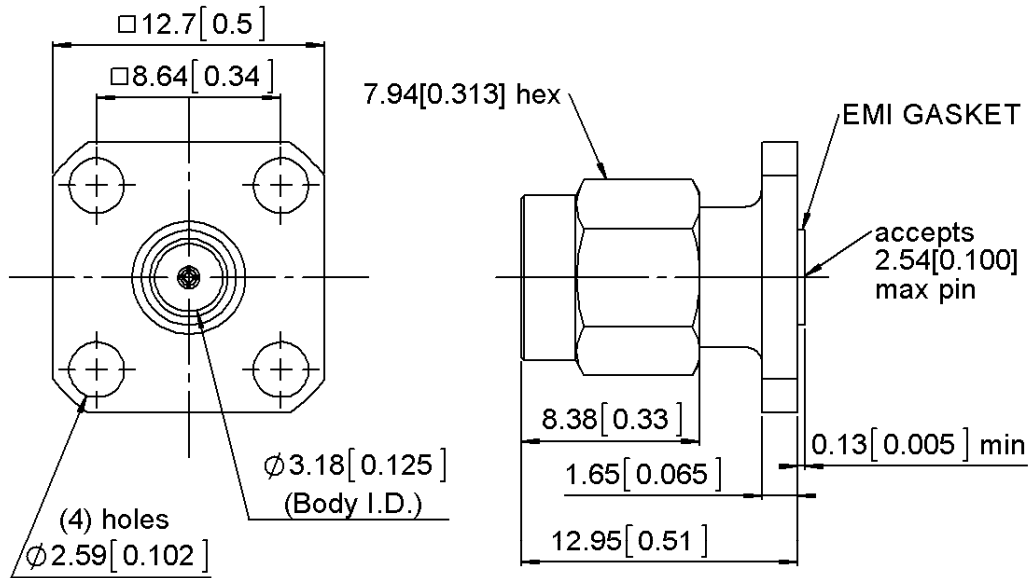
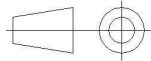


PAGE 1/2	ISSUE 1408 B	SERIES SMA	PART NUMBER 9047-9513-000
----------	--------------	------------	---------------------------



All dimensions are in mm.



COMPONENTS	MATERIALS	PLATING (µm)
Body	STAINLESS STEEL	PASSIVATED
Center contact	BERYLLIUM COPPER	GOLD 1.27 OVER NICKEL 2.54
Outer contact		
Insulator	PTFE	
Gasket	SILICONE RUBBER	
Others parts	STAINLESS STEEL, BERYLLIUM COPPER	PASSIVATED
EMI GASKET	CONDUCTIVE SILVER SILICONE	
-	-	-

PAGE 2/2	ISSUE 1408 B	SERIES SMA	PART NUMBER 9047-9513-000
----------	---------------------	-------------------	----------------------------------

PACKAGING

Standard	Unit	Other
1	Contact us	Contact us

ELECTRICAL CHARACTERISTICS

Impedance		50	Ω	
Frequency		0-26	GHz	
VSWR	N/A	+	0.0000	x F(GHz) Maxi
Insertion loss		.1*	√F(GHz) dB Maxi	
RF leakage	-	(N/A	- F(GHz)) dB Maxi
Voltage rating		335	Veff Maxi	
Dielectric withstanding voltage		1000	Veff mini	
Insulation resistance		1000	MΩ mini	

MECHANICAL CHARACTERISTICS

Center contact retention			
Axial force – Mating End			N mini
Axial force – Opposite end			N mini
Torque			N.cm mini
Recommended torque			
Mating			N.cm
Panel nut			N.cm
Mating life		500	Cycles mini
Weight		4.3300	g

ENVIRONMENTAL

Operating temperature	-65/+250	°C
Hermetic seal		Atm.cm3/s
Panel leakage		

SPECIFICATION

OTHER CHARACTERISTICS

Assembly instruction:

Others:
*** max to 12.4Ghz**
.2 Db max to 18Ghz
.25 Db max to 26Ghz