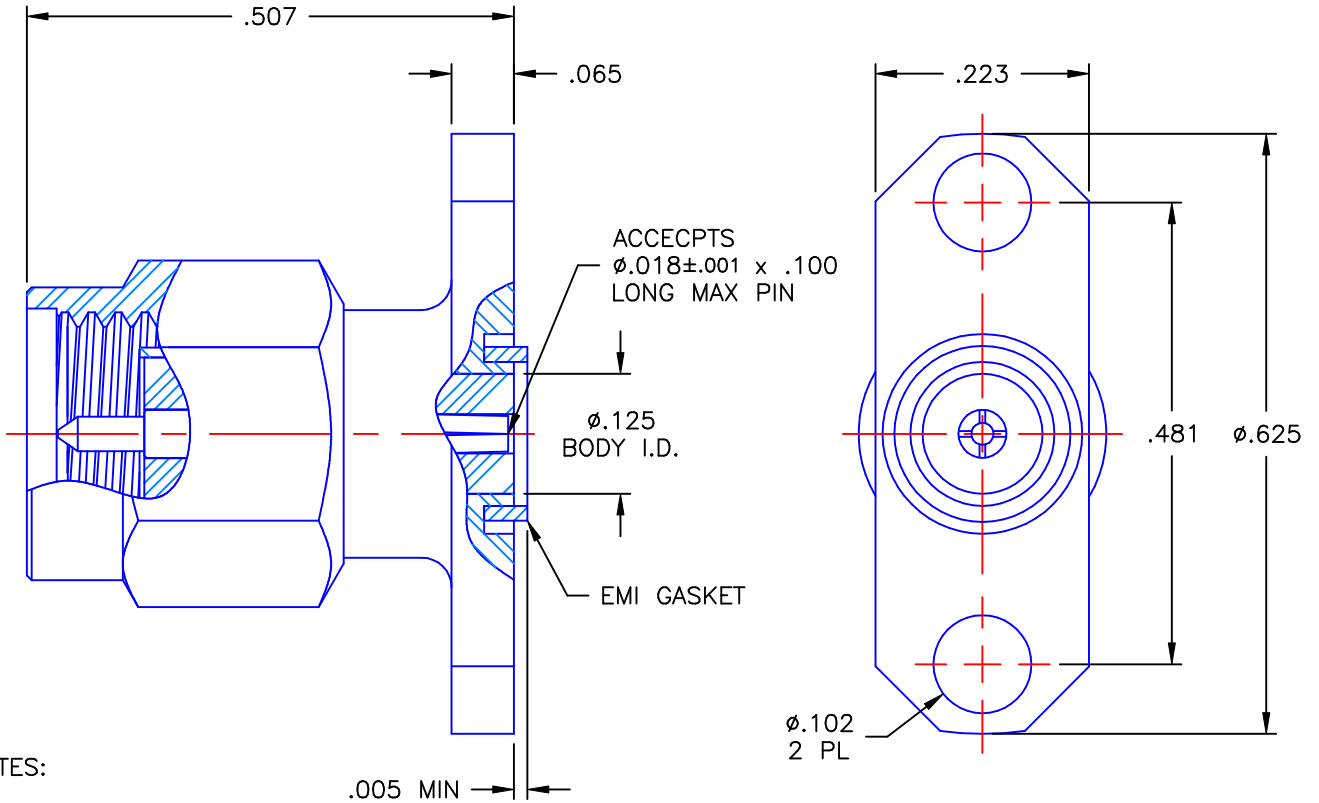


PROPRIETARY INFORMATION
 NOT TO BE RELEASED
 WITHOUT WRITTEN PERMISSION
 FROM AN AUTHORIZED
 REPRESENTATIVE OF
 APPLIED ENGINEERING PRODUCTS

REVISIONS			
REV	DESCRIPTION	DATE	APPROVED
B	ECO #6429	11/16/06	A.D.M.




NOTES:

MATERIALS:

1. BODY & COUPLING NUT = STAINLESS STEEL PER ASTM A582, ALLOY 303, CONDITION "A".
2. INSULATOR = VIRGIN WHITE TEFLON PER ASTM D1710, GRADE 1, TYPE I, CLASS "B".
3. CONTACT & RETAINING RING = BERYLLIUM COPPER PER ASTM B196, ALLOY C17300, TEMPER TD04.
4. GASKET = SILICONE RUBBER PER ZZ-R-765, CLASS 2B, GRADE 65-75.
5. EMI GASKET = CONDUCTIVE SILVER/SILICONE ELASTOMERS 70 DUROMETER.

FINISHES:

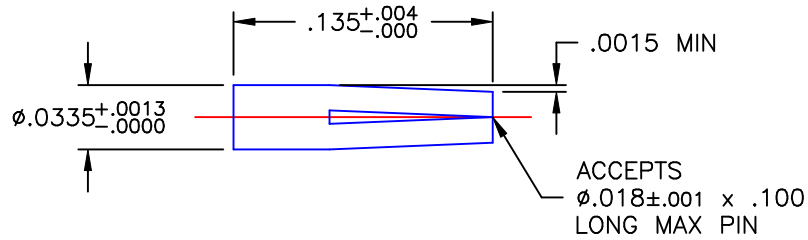
1. BODY & COUPLING NUT = PASSIVATE PER QQ-P-35, TYPE VI.
2. CONTACT = GOLD PLATE PER MIL-G-45204, TYPE II, CLASS 1, GRADE C, OVER .00010 TO .00020 STRESS FREE SULFAMATE NICKEL PER QQ-N-290.

UNLESS OTHERWISE SPECIFIED DIMENSIONS ARE IN INCHES TOLERANCES ON		DWN: A.D.M.	DATE 11/16/06	 APPLIED ENGINEERING PRODUCTS 104 John W. Murphy Dr. New Haven, CT 06513
		CHKD: D.N.	DATE 11/16/06	
DECIMAL	ANGLE	APVD: J.M.	DATE 11/16/06	
REFERENCE:		MATERIALS & FINISHES: SEE NOTES		SMA STRAIGHT JACK 2 HOLE FLANGE MOUNT HERMETIC SEAL LAUNCHERS
ORIGINATOR: D.N. DATE: 03/16/83		SIZE A	FSCM NO. 19505	DWG NO. 9X50-9513-000
		SCALE 5:1	THIRD ANGLE PROJECTION	REV B
				SHEET 1 OF 2

9X50-9513-000

ORDERING INFORMATION

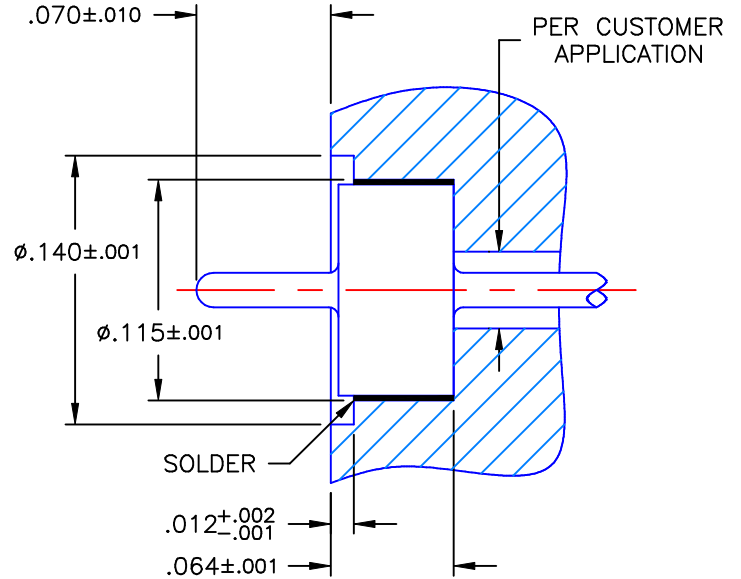
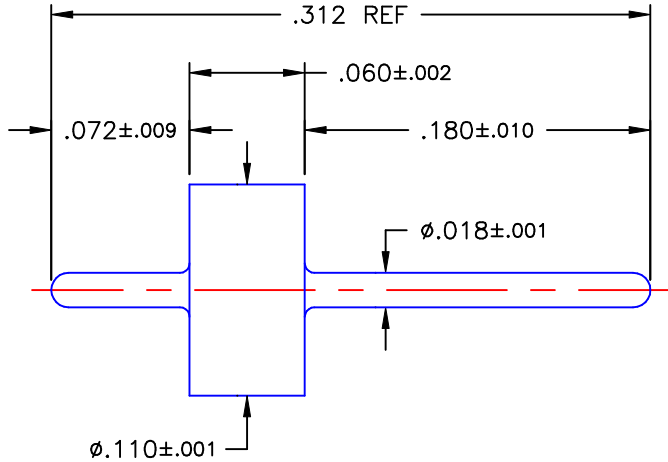
9050-9513-000 CONNECTOR ONLY, SUPPLIED TO DWG SHEET 1
 9150-9513-000 CONNECTOR SUPPLIED TO DWG WITH GLASS SEAL ONLY
 9250-9513-000 CONNECTOR SUPPLIED TO DWG WITH GLASS SEAL AND CONTACT
 9350-9513-000 CONNECTOR SUPPLIED TO DWG WITH CONTACT ONLY



MATERIAL: BERYLLIUM COPPER PER ASTM B196, ALLOY C17300, TEMPER TD04.

FINISH: GOLD PLATE PER MIL-G-45204, TYPE II, CLASS 1, GRADE C, OVER .00010 TO .00020 STRESS FREE SULFAMATE NICKEL PER QQ-N-290.

RECOMMENDED MOUNTING



MATERIALS: OUTER RING AND PIN = KOVAR
 GLASS BEAD = CORNING 7070

FINISHES: OUTER RING AND PIN = GOLD PLATE PER MIL-G-45204, TYPE II, GRADE C, CLASS I, OVER NICKEL PER MIL-G-26074, CLASS I, OVER COPPER PER MIL-C-14550.

UNLESS OTHERWISE SPECIFIED
 DIMENSIONS ARE IN INCHES
 TOLERANCES ON

REFERENCE:



APPLIED ENGINEERING PRODUCTS

104 John W. Murphy Dr.
 New Haven, CT 06513

DECIMAL	ANGLE
---------	-------

SIZE A	FSCM NO. 19505	DWG NO. 9X50-9513-000	REV B
SCALE 10:1		THIRD ANGLE PROJECTION	SHEET 2 OF 2

9X50-9513-000