

DIN Power F-shroud, press-on 3,6 L-Lever

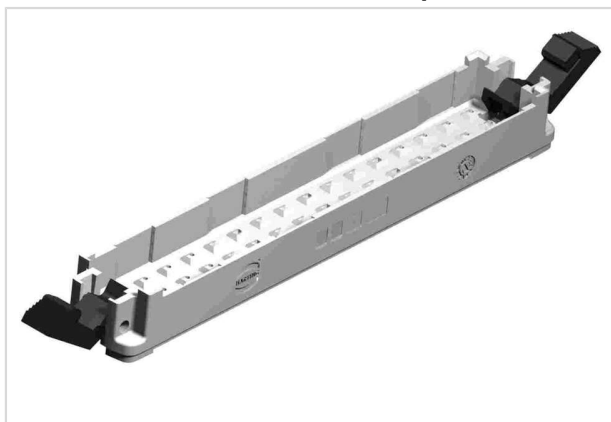


Image is for illustration purposes only. Please refer to product description.

Part number	09 06 002 9901
Specification	DIN Power F-shroud, press-on 3,6 L-Lever
HARTING eCatalogue	https://b2b.harting.com/09060029901

Identification

Category	Accessories
Series	DIN 41612
Type of accessory	Pin shroud
Description of the accessory	for type F "low profile" with press-in pins With locking levers
Features	lead-free

Version

Termination length	13 mm
Fixing	Press-in fixing

Technical characteristics

Isolation group	IIIa ($175 \leq CTI < 400$)
PCB thickness	3.2 mm +0.8

Material properties

Material (accessories)	Thermoplastic
Colour (accessories)	RAL 7032 (pebble grey)
Material flammability class acc. to UL 94	V-0
RoHS	compliant
ELV status	compliant
China RoHS	e
REACH Annex XVII substances	Not contained



Pushing Performance
Since 1945

Material properties

REACH ANNEX XIV substances Not contained

REACH SVHC substances Not contained

Specifications and approvals

Railway classification F1/I2 acc. to NFF 16-101/102

Commercial data

Packaging size 20

Net weight 7.4 g

Country of origin Romania

European customs tariff number 85366990

GTIN 5713140010758

eCl@ss 27440292 Connector component (accessories)