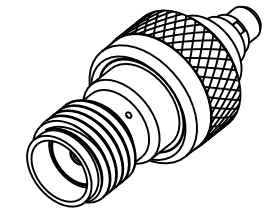


NOTES:

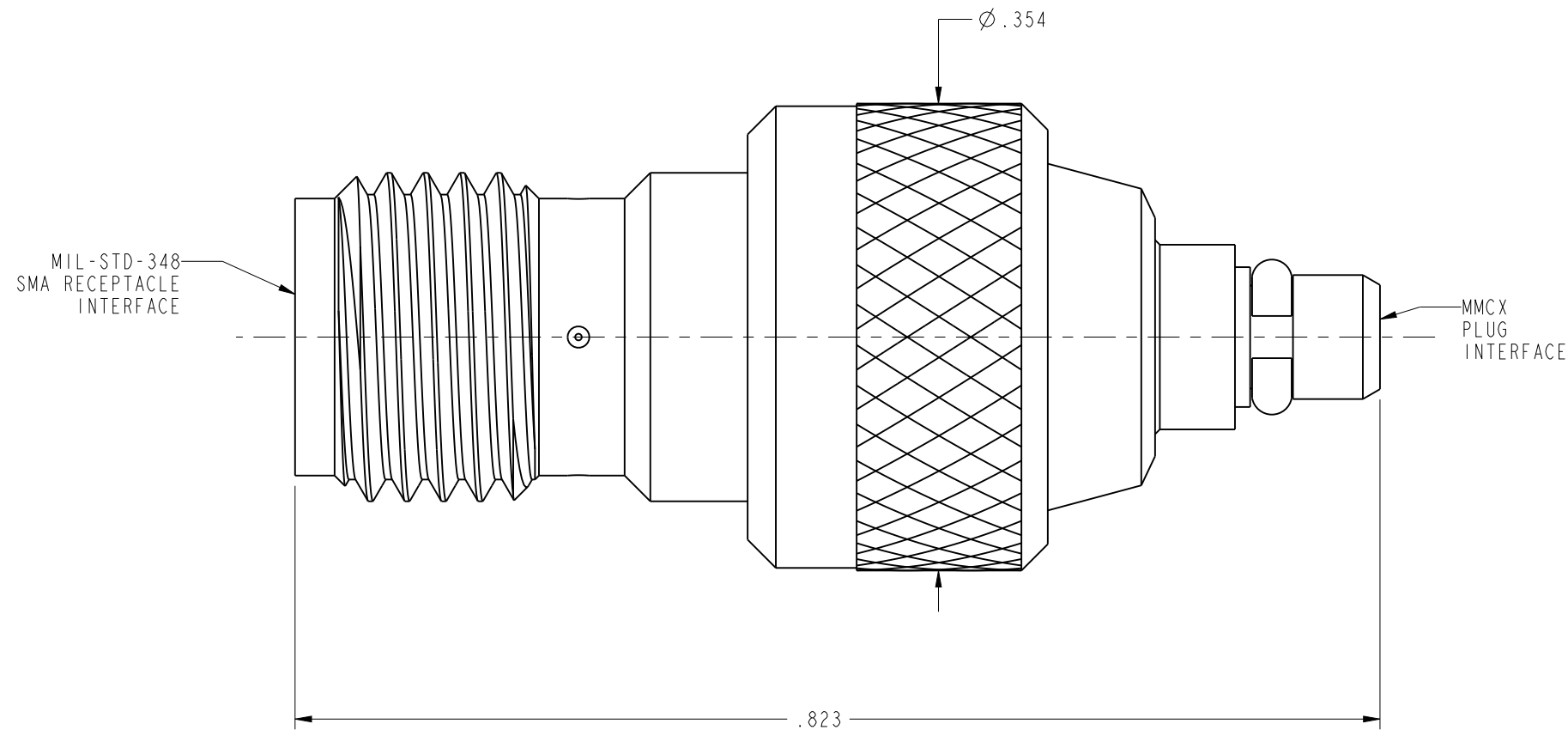
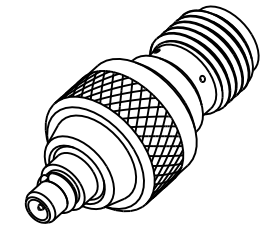
- 1. MATERIALS AND FINISHES:
 BODIES - BERYLLIUM COPPER OR BRASS, GOLD PLATED
 CONTACTS - BERYLLIUM COPPER, GOLD PLATED
 INSULATORS - TFE FLOUROCARBON

2. VSWR: 1.10 MAX, DC TO 6 GHz

908-31100		REVISIONS			
DRAWING NO.	REV	DESCRIPTION	DATE	ECO	APPR
THIRD ANGLE PROJ.	A	ENGINEERING RELEASE	8/27/97	42062	DL/
	B	SEE SHEET 1	12/6/13	49752	MJD



SCALE 2.000



CUSTOMER OUTLINE DRAWING
 ALL OTHER SHEETS ARE FOR INTERNAL USE ONLY

UNLESS OTHERWISE SPECIFIED, DIMENSIONS ARE IN INCHES AND TOLERANCES ARE: 2 PLACE DECIMAL ±.015 (0,381 mm) 3 PLACE DECIMAL ±.005 (0,127 mm) ANGLES ± 1°	MATERIAL	DRAWN D. LUI	DATE 19-May-97	TITLE ADAPTOR MMCX (M) TO SMA (F)	Amphenol RF Danbury, CT, USA Tainan, Taiwan Shenzhen, China www.amphenolrf.com		
	REFERENCE	ENGINEER D. LUI	DATE 19-May-97				
NOTICE - These drawings, specifications, or other data (1) are, and remain the property of Amphenol Corp. (2) must be returned upon request; and (3) are confidential and not to be disclosed to any person other than those to whom they are given by Amphenol Corp. The furnishing of these drawings, specifications, or other data by Amphenol Corp., or to any other person to anyone for any purpose is not to be regarded by implication or otherwise in any manner licensing, granting rights or permitting such holder or any other person to manufacture, use or sell any product, process or design, patented or otherwise, that may in any way be related to or disclosed by said drawings, specifications, or other data.	EAR 966439-0 615X-1463-100 GEN# ASSY_MMCXM-SMAF	APPROVED T. AUBIN	DATE 8/27/97	CODE ID 74868	DWG SIZE B	DRAWING NO. 908-31100	REV B
					SCALE: 8.0:1	SHEET 2 OF 2	