

F

E

D

C

B

A

F

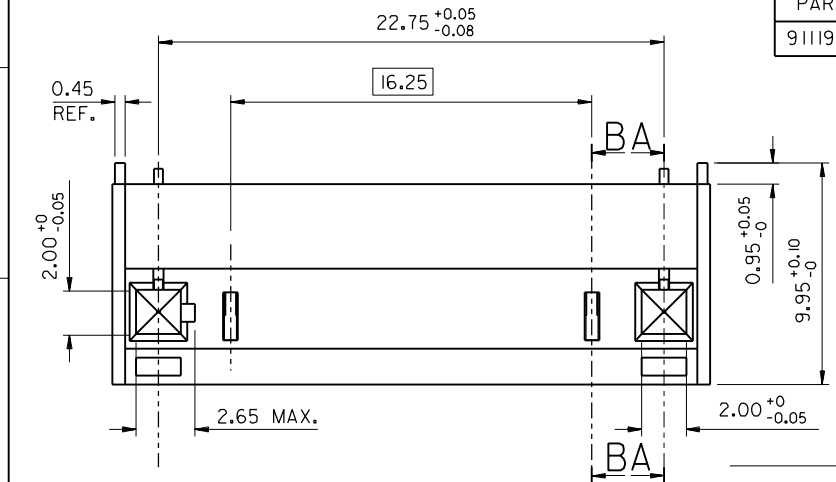
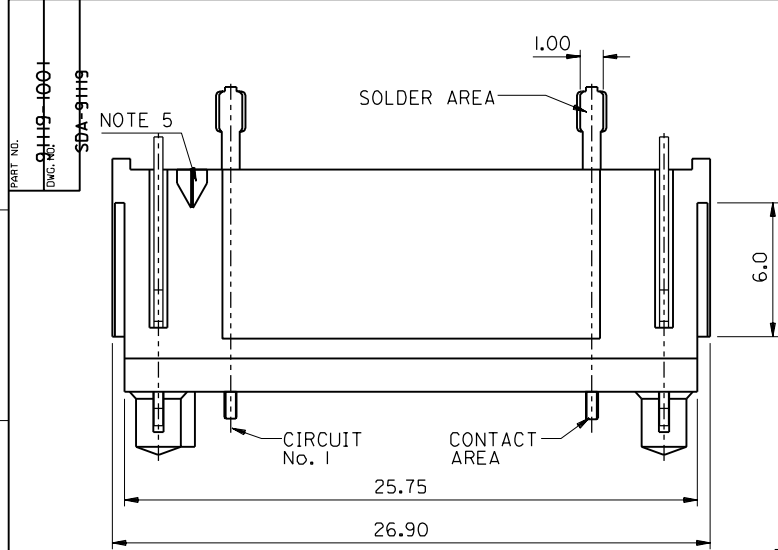
E

D

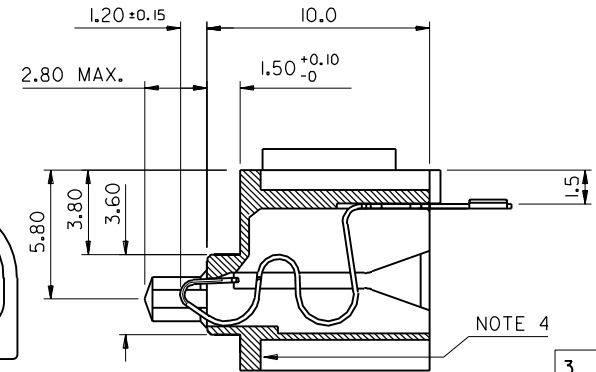
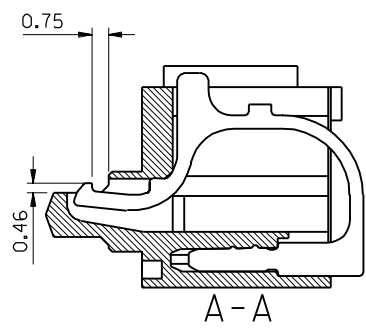
C

B

A



PART No.	LOADED CIRCUITS
91119-1001	1 & 14



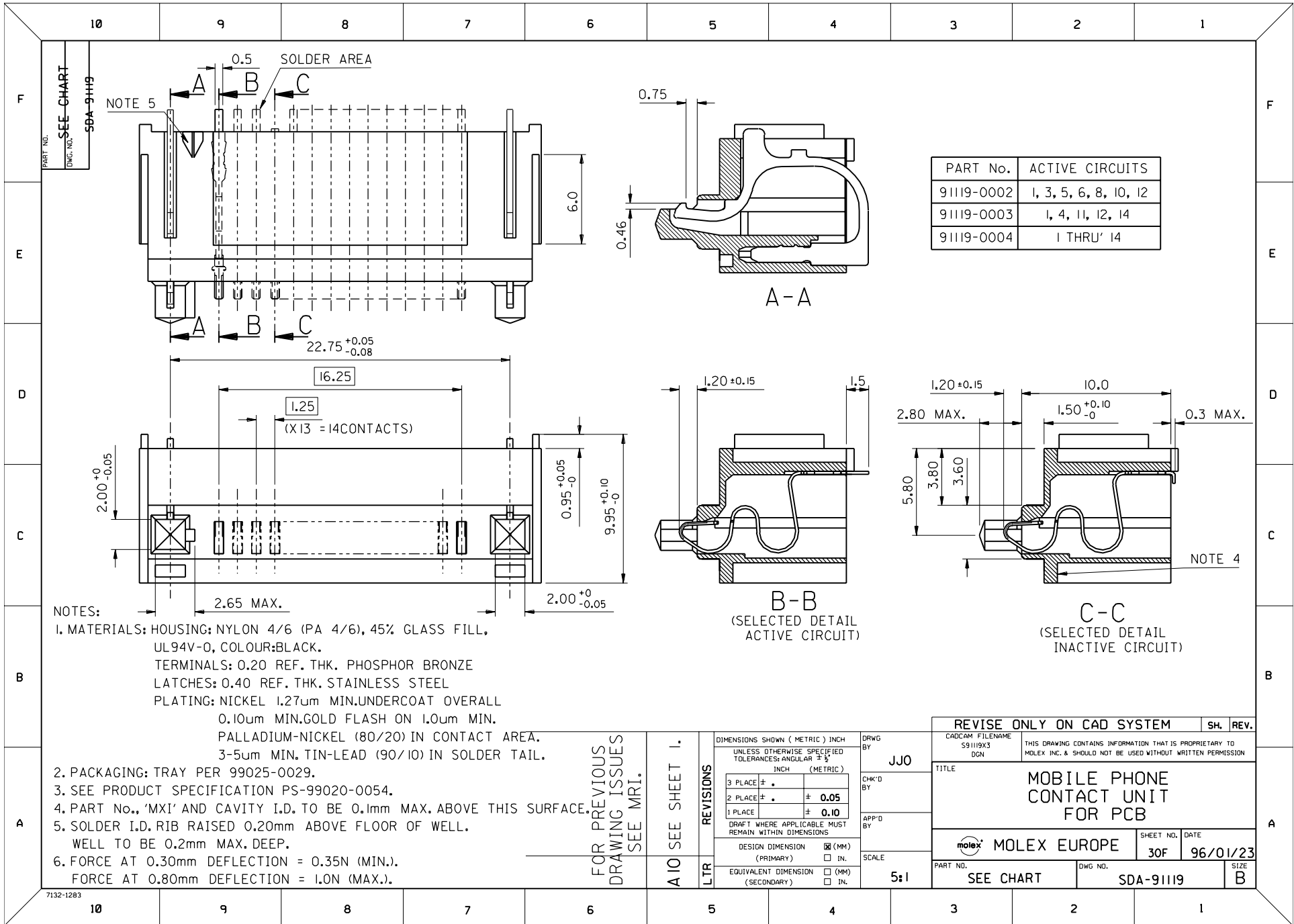
3	A10
2	A10
1	A10
SH.	REV.

NOTES:

- MATERIALS: HOUSING: NYLON 4/6 (PA 4/6), 45% GLASS FILL, UL94V-0
COLOUR:BLACK.
TERMINALS: 0.20 REF. THK. PHOSPHOR BRONZE
LATCHES: 0.40 REF. THK. STAINLESS STEEL
PLATING: NICKEL 1.27um MIN.UNDERCOAT OVERALL
0.10um MIN.GOLD FLASH ON 1.0um MIN.
PALLADIUM-NICKEL (80/20) IN CONTACT AREA.
3-5um MIN. TIN-LEAD (90/10) IN SOLDER TAIL AREA.
- PACKAGING: TRAY PER 99025-0029.
- SEE PRODUCT SPECIFICATION PS-99020-0054.
- PART No., 'MXI' AND CAVITY I.D. TO BE 0.1mm MAX. ABOVE THIS SURFACE.
- SOLDER I.D. RIB RAISED 0.20mm ABOVE FLOOR OF WELL.
WELL TO BE 0.2mm MAX. DEEP.
- FORCE AT 0.30mm DEFLECTION = 0.35N (MIN.).
FORCE AT 0.80mm DEFLECTION = 1.0N (MAX.).

FOR PREVIOUS DRAWING ISSUES SEE MRI.	VARIOUS MODS. ECN E80116 '97/10/30 J O' C	DIMENSIONS SHOWN (METRIC) INCH UNLESS OTHERWISE SPECIFIED TOLERANCES: ANGULAR ± 1/2°	DRWG BY JJO
	LTR REVISIONS	INCH (METRIC)	CHK'D BY
	A10	3 PLACE ± . 2 PLACE ± . ± 0.05 1 PLACE ± ± 0.10	APP'D BY
		DRAFT WHERE APPLICABLE MUST REMAIN WITHIN DIMENSIONS	SCALE
	DESIGN DIMENSION (PRIMARY) <input checked="" type="checkbox"/> (MM)		5:1
	EQUIVALENT DIMENSION (SECONDARY) <input type="checkbox"/> (MM)		

REVISE ONLY ON CAD SYSTEM		CAD/CAM FILENAME S91119X1.DGN	THIS DRAWING CONTAINS INFORMATION THAT IS PROPRIETARY TO MOLEX INC. & SHOULD NOT BE USED WITHOUT WRITTEN PERMISSION	
TITLE MOBILE PHONE CONTACT UNIT FOR WIRE				
MOLEX EUROPE		SHEET NO. DATE 10F3 96/01/23		
PART NO. 91119-1001	DWG NO. SDA-91119	SIZE B		



PART No.	ACTIVE CIRCUITS
91119-0002	1, 3, 5, 6, 8, 10, 12
91119-0003	1, 4, 11, 12, 14
91119-0004	1 THRU' 14

NOTES:

- MATERIALS: HOUSING: NYLON 4/6 (PA 4/6), 45% GLASS FILL, UL94V-0, COLOUR:BLACK.
TERMINALS: 0.20 REF. THK. PHOSPHOR BRONZE
LATCHES: 0.40 REF. THK. STAINLESS STEEL
PLATING: NICKEL 1.27um MIN.UNDERCOAT OVERALL
0.10um MIN.GOLD FLASH ON 1.0um MIN.
PALLADIUM-NICKEL (80/20) IN CONTACT AREA.
3-5um MIN. TIN-LEAD (90/10) IN SOLDER TAIL.
- PACKAGING: TRAY PER 99025-0029.
- SEE PRODUCT SPECIFICATION PS-99020-0054.
- PART No., 'MXI' AND CAVITY I.D. TO BE 0.1mm MAX. ABOVE THIS SURFACE.
- SOLDER I.D. RIB RAISED 0.20mm ABOVE FLOOR OF WELL.
WELL TO BE 0.2mm MAX. DEEP.
- FORCE AT 0.30mm DEFLECTION = 0.35N (MIN.).
FORCE AT 0.80mm DEFLECTION = 1.0N (MAX.).

FOR PREVIOUS DRAWING ISSUES SEE MRI.

A10 SEE SHEET 1.

DIMENSIONS SHOWN (METRIC) INCH		DRWG BY JJO
UNLESS OTHERWISE SPECIFIED TOLERANCES: ANGULAR ± 1/2		
3 PLACE ± .	INCH (METRIC)	CHK'D BY
2 PLACE ± .	± 0.05	
1 PLACE ± .	± 0.10	
DRAFT WHERE APPLICABLE MUST REMAIN WITHIN DIMENSIONS		APP'D BY
DESIGN DIMENSION (PRIMARY)	<input checked="" type="checkbox"/> (MM) <input type="checkbox"/> IN.	SCALE
EQUIVALENT DIMENSION (SECONDARY)	<input type="checkbox"/> (MM) <input type="checkbox"/> IN.	5:1

REVISE ONLY ON CAD SYSTEM		SH.	REV.
CAD/CAM FILENAME S91119X3 DCN	THIS DRAWING CONTAINS INFORMATION THAT IS PROPRIETARY TO MOLEX INC. & SHOULD NOT BE USED WITHOUT WRITTEN PERMISSION		
MOBILE PHONE CONTACT UNIT FOR PCB			
MOLEX EUROPE		SHEET NO. 30F	DATE 96/01/23
PART NO. SEE CHART	DWG NO. SDA-91119	SIZE B	