

1

2

3

4

PRODUCT NO.
SEE SHT. 2

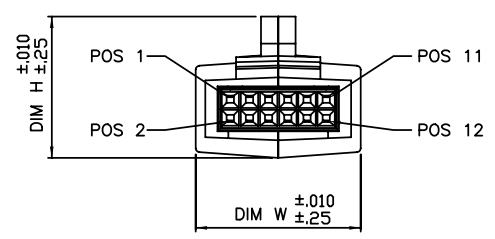
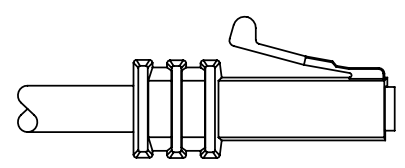
| SIZE | DIM H | DIM L | DIM W |
|--------|------------|-------------|-------------|
| 1 X 4 | .300/7.62 | 1.291/32.79 | _____ |
| 1 X 6 | .300/7.62 | 1.291/32.79 | _____ |
| 1 X 8 | .300/7.62 | 1.291/32.79 | _____ |
| 1 X 10 | .300/7.62 | 1.291/32.79 | _____ |
| 2 X 3 | .705/17.91 | 1.267/32.18 | .560/14.22 |
| 2 X 4 | .705/17.91 | 1.267/32.18 | .660/16.76 |
| 2 X 6 | .735/18.67 | 1.365/34.67 | .860/21.84 |
| 2 X 8 | .735/18.67 | 1.365/34.67 | 1.060/26.92 |
| 2 X 10 | .735/18.67 | 1.365/34.67 | 1.260/32.00 |

A

B

C

D



DOUBLE ROW PLUG ASSEMBLY

SINGLE ROW PLUG ASSEMBLY



Copyright FCI.

| | | | | |
|--------------------|----------|---------------------------------------|-----------------------------------|-----------------------|
| www.fciconnect.com | | surface ISO 1302 | tolerance std ISO 406/ISO 1101 | projection INCH/MM |
| | | TOLERANCES UNLESS OTHERWISE SPECIFIED | | |
| Dr | D.INGRAM | 5/13/96 | ANGULAR | size A4 |
| Eng | M.SMYK | 5/13/96 | LINEAR | Scale 1:1 |
| Chr | M.SMYK | 5/13/96 | 0° ±2° | ECN N10-0425 |
| Appr | M.SMYK | 5/13/96 | Product family LATCH-N-LOK | Spec ref |
| | | title LATCH-N-LOK CONNECTOR KIT | | Rev. S |
| | | catalog no | 91481 | sheet 1 of 5 |
| | | CUSTOMER COPY | | |

| rev | ecn no | dr | date |
|-----|----------|-----|----------|
| S | N10-0425 | KW | 12/14/10 |
| M | V03-0798 | HTB | 7/16/03 |
| N | M05-0062 | ERE | 4/01/05 |
| P | M06-0151 | MHT | 4/10/06 |
| R | M06-0365 | AGS | 9/21/06 |

REV F - 2006-04-17

1

2

3 PDM: Rev:S

STATUS: Released

4 Printed: Dec 16, 2010

PRODUCT NUMBER
SEE TABLE

914VW-XYZLF

LEAD FREE OPTION (10)

| Y | COLOR PLUG AND CAP | |
|-----|-----------------------|----------|
| -1- | LIGHT GRAY | OBSOLETE |
| 2 | OFF-WHITE | |
| -3- | DARK GRAY | OBSOLETE |
| 4 | BLACK | |
| -5- | SLATE GRAY | OBSOLETE |
| 7 | SILVER GRAY | |
| -8- | PEARL-WHITE | OBSOLETE |
| 9 | PEBBLE GRAY | |

NOTE 6

| Z | CABLE EXIT STYLE |
|---|---------------------|
| 0 | NO EXIT |
| 1 | REAR EXIT |
| 2 | RIGHT EXIT |
| 3 | LEFT EXIT |

NOTE 5

| X | SIZES 2X3 & 2X4 CABLE O.D. | SIZES 2X6, 2X8 & 2X10 CABLE O.D. | SIZES 1X4, 1X6, 1X8 & 1X10 CABLE O.D. |
|---|----------------------------------|--|---|
| 0 | .040/1.02 TO .065/1.65 | .145/3.86 TO .165/4.19 | .045/1.14 TO .075/1.91 |
| 1 | .070/1.78 TO .095/2.41 | .170/4.32 TO .195/4.95 | .080/2.03 TO .095/2.41 |
| 2 | .100/2.54 TO .125/3.18 | .200/5.08 TO .225/5.72 | .100/2.54 TO .115/2.92 |
| 3 | .130/3.30 TO .155/3.94 | .230/5.84 TO .255/6.48 | .120/3.05 TO .135/3.43 |
| 4 | .160/4.06 TO .185/4.70 | .260/6.60 TO .285/7.24 | .140/3.56 TO .155/3.94 |
| 5 | .190/4.83 TO .215/5.46 | .290/7.34 TO .315/8.00 | .160/4.06 TO .175/4.45 |
| 6 | .220/5.59 TO .245/6.22 | NA | .180/4.57 TO .195/4.95 |
| 7 | .250/6.35 TO .275/6.99 | NA | NA |
| 8 | NO EXIT HOLE | NO EXIT HOLE | NO EXIT HOLE |

| W | SIZE CONFIGURATION |
|---|-----------------------|
| 1 | 1 X 4 |
| 2 | 1 X 6 |
| 3 | 1 X 8 |
| 4 | 1 X 10 |
| 5 | 2 X 3 |
| 6 | 2 X 4 |
| 7 | 2 X 6 |
| 8 | 2 X 8 |
| 9 | 2 X 10 |

| V | WIRE SIZE |
|---|---------------------------------|
| 6 | LATCH GUARD (PV'S NOT INCLUDED) |
| 7 | |
| 8 | PV'S NOT INCLUDED |

NOTE 7

EXAMPLE

91486-541 - IS A 2 X 4 REAR EXIT PLUG IN BLACK WITH A CABLE EXIT HOLE SIZE OF .220/5.59 DIA. (ϕ.190/4.83 TO ϕ.215/5.46 CABLE RANGE).

| | | | | | |
|--------------------|----------|---------------------------------------|---|------------------------|---------------|
| www.fciconnect.com | | surface ISO 1302 | <input checked="" type="checkbox"/> tolerance std ISO 406/ISO 1101 | projection ISO 1101 | INCH/MM |
| | | TOLERANCES UNLESS OTHERWISE SPECIFIED | | | |
| Dr | D.INGRAM | 5/13/96 | ANGULAR | 0.XX/0.X | ±0.01/0.3 |
| Eng | M.SMYK | 5/13/96 | LINEAR | 0.XXX/0.XX | ±0.005/0.13 |
| Chr | M.SMYK | 5/13/96 | 0° ±2° | 0.XXXX/0.XXX | ±0.0020/0.051 |
| Appr | M.SMYK | 5/13/96 | Product family LATCH-N-LOK | | size A4 |
| | | | Spec ref | | Scale 1:1 |
| title LATCH-N-LOK | | | dwg no 91481 | | Rev. S |
| catalog no | | | CUSTDEM COPY | | sheet 2 of 5 |



Copyright FCI.

NOTES:

- 1. EACH KIT CONTAINS ONE EACH OF THE FOLLOWING COMPONENTS:
PLUG FRONT NOTE 8
CAP
MINI-LATCH HOUSING
SHIELD CAN
CRIMP RING
- 2. COMPONENTS ARE BULK PACKAGE WITH 100 PC OF A COMPONENT PER BAG. PV'S MUST BE ORDERED SEPARATELY.
- 3. MATERIALS USED: PLUGS AND CAPS ARE MOLDED IN POLYCARBONATE. THE MINI-LATCH HOUSING IS MOLDED IN NYLON, COLOR IS BLACK. THE CRIMP RING IS 304 STAINLESS STEEL, 1/2 HARD. THE SHIELD CAN IS 1/2 HARD BRASS, PLATED WITH 100-150μ"/2.54-4.06μ OF TIN.
- 4. PLUGS, CAPS, MINI-LATCH HOUSING AND SHIELD CANS ARE ALL U.L. RECOGNIZED AND CSA APPROVED COMPONENTS.
- ⑤ SINGLE ROW CONNECTORS WITH REAR CABLE EXITS ARE CONSIDERED STANDARD PRODUCTS. SINGLE ROW CONNECTORS WITH SIDE CABLE EXITS ARE "CUSTOMER SPECIALS" AND INCLUDE A NYLON TIE WRAP REPLACING THE CRIMP RING (NORMAL CORD RETENTION WILL BE REDUCED AS A RESULT).
- ⑥ PLUG AND CAP COLORS LISTED ARE LOW GLOSS FINISH.
- ⑦ LATCH GUARD TOOLED IN 2 X 4 SIZE ONLY. THESE KITS DO NOT INCLUDE PV TERMINALS.
- ⑧ PLUG TOOLING WITH NO EXIT HOLE AVAILABLE IN 2 X 3, 2 X 4, AND 2 X 6 SIZES ONLY.
- ⑨ ADD LF SUFFIX AT THE END OF PART NUMBER FOR LEAD FREE OPTION.
- ⑩ THIS PRODUCT MEETS EUROPEAN UNION DIRECTIVES AND OTHER COUNTRY REGULATION AS DESCRIBED IN GS-22-008.



THE DIAGRAM FOR 91481



Copyright FCI.



THE DIAGRAM FOR 91482

| | | | | | | | |
|--------------------|----------|---------|---------------------------------------|-----------------------------------|------------------------|---------------|--------------|
| www.fciconnect.com | | | surface ISO 1302 | tolerance std ISO 406/ISO 1101 | projection ISO 1101 | INCH/MM | |
| | | | TOLERANCES UNLESS OTHERWISE SPECIFIED | | | | |
| Dr | D.INGRAM | 5/13/96 | ANGULAR | LINEAR | 0.XX/0.X | ±0.01/0.3 | size A4 |
| Eng | M.SMYK | 5/13/96 | | | 0.XXX/0.XX | ±0.005/0.13 | Scale 1:1 |
| Chr | M.SMYK | 5/13/96 | 0° | ±2° | 0.XXXX/0.XXX | ±0.0020/0.051 | ECN N10-0425 |
| Appr | M.SMYK | 5/13/96 | Product family LATCH-N-LOK | | Spec ref | | |
| title LATCH-N-LOK | | | dwg no 91481 | | Rev. S | | |
| catalog no | | | CUSTDEM CRPY | | sheet 3 of 5 | | |

1

2

3

4

A

B

C

D

A

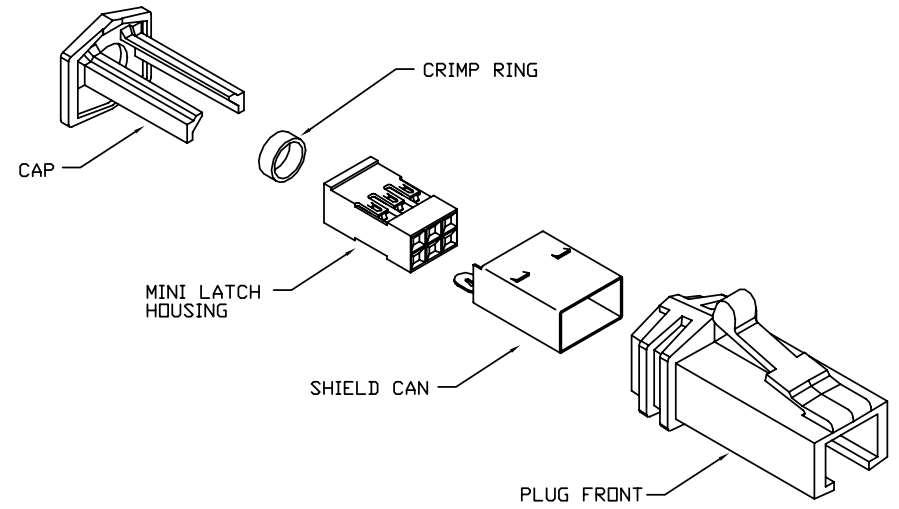
B

C

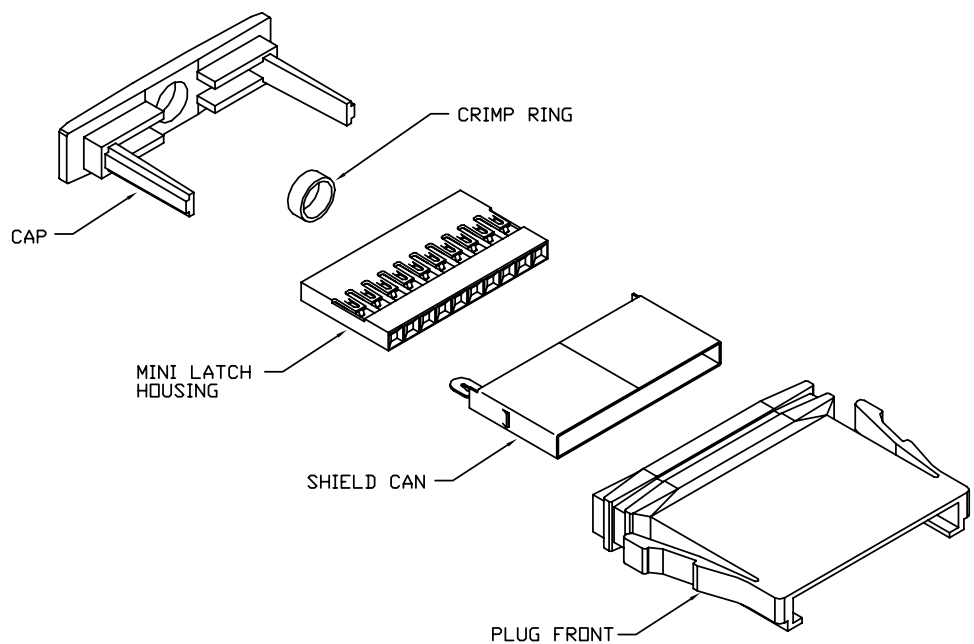
D



THE DIAGRAM FOR 91483



THE DIAGRAM FOR 91485



THE DIAGRAM FOR 91484



THE DIAGRAM FOR 91486

| | | | | | | | |
|--------------------|----------|---------|---------------------------------------|-----------------------------------|------------------------|---------|----------|
| www.fciconnect.com | | | surface ISO 1302 | tolerance std ISO 406/ISO 1101 | projection ISO 1101 | INCH/MM | |
| | | | TOLERANCES UNLESS OTHERWISE SPECIFIED | | | | |
| Dr | D.INGRAM | 5/13/96 | ANGULAR | 0.XX/0.X | ±0.01/0.3 | size | A4 |
| Eng | M.SMYK | 5/13/96 | LINEAR | 0.XXX/0.XX | ±0.005/0.13 | Scale | 1:1 |
| Chr | M.SMYK | 5/13/96 | 0° ±2° | 0.XXXX/0.XXX | ±0.0020/0.051 | ECN | N10-0425 |
| Appr | M.SMYK | 5/13/96 | Product family LATCH-N-LOK | | Spec ref | | |
| | | | title LATCH-N-LOK CONNECTOR KIT | | dwg no 91481 | | Rev. S |
| catalog no | | | CUSTDEM R COPY | | sheet 4 of 5 | | |

REV F - 2006-04-17

1

2

3 PDM: Rev:S

STATUS: Released

4 Printed: Dec 16, 2010



Copyright FCI.