

1

2

3

4

PRODUCT NO.
SEE SHT. 2

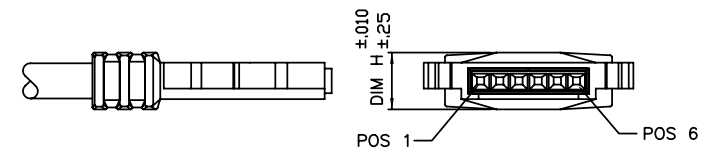
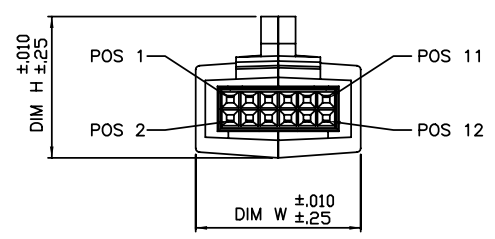
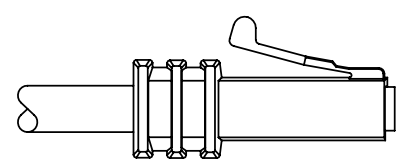
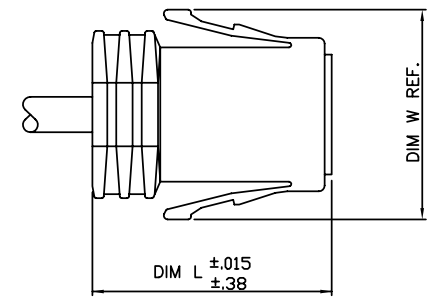
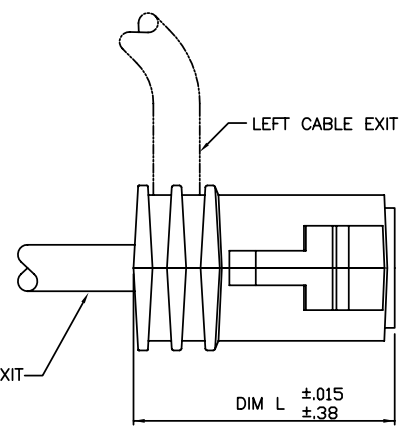
SIZE	DIM H	DIM L	DIM W
1 X 4	.300/7.62	1.291/32.79	_____
1 X 6	.300/7.62	1.291/32.79	_____
1 X 8	.300/7.62	1.291/32.79	_____
1 X 10	.300/7.62	1.291/32.79	_____
2 X 3	.705/17.91	1.267/32.18	.560/14.22
2 X 4	.705/17.91	1.267/32.18	.660/16.76
2 X 6	.735/18.67	1.365/34.67	.860/21.84
2 X 8	.735/18.67	1.365/34.67	1.060/26.92
2 X 10	.735/18.67	1.365/34.67	1.260/32.00

A

B

C

D



DOUBLE ROW PLUG ASSEMBLY

SINGLE ROW PLUG ASSEMBLY



Copyright FCI.

www.fciconnect.com		surface ISO 1302	tolerance std ISO 406/ISO 1101	projection INCH/MM
		TOLERANCES UNLESS OTHERWISE SPECIFIED		
Dr	D.INGRAM	5/13/96	ANGULAR	size A4
Eng	M.SMYK	5/13/96	LINEAR	Scale 1:1
Chr	M.SMYK	5/13/96	0° ±2°	ECN N10-0425
Appr	M.SMYK	5/13/96	Product family LATCH-N-LOK	Spec ref
		title LATCH-N-LOK CONNECTOR KIT		Rev. S
		catalog no	dwg no 91481	sheet 1 of 5

rev	ecn no	dr	date
S	N10-0425	KW	12/14/10
M	V03-0798	HTB	7/16/03
N	M05-0062	ERE	4/01/05
P	M06-0151	MHT	4/10/06
R	M06-0365	AGS	9/21/06

REV F - 2006-04-17

1

2

3 PDM: Rev:S

STATUS: Released

4 Printed: Dec 16, 2010

PRODUCT NUMBER
SEE TABLE

914VW-XYZLF

LEAD FREE OPTION (10)

Y	COLOR PLUG AND CAP	
-1-	LIGHT GRAY	OBSOLETE
2	OFF-WHITE	
-3-	DARK GRAY	OBSOLETE
4	BLACK	
-5-	SLATE GRAY	OBSOLETE
7	SILVER GRAY	
-8-	PEARL-WHITE	OBSOLETE
9	PEBBLE GRAY	

NOTE 6

Z	CABLE EXIT STYLE
0	NO EXIT
1	REAR EXIT
2	RIGHT EXIT
3	LEFT EXIT

NOTE 5

X	SIZES 2X3 & 2X4 CABLE O.D.	SIZES 2X6, 2X8 & 2X10 CABLE O.D.	SIZES 1X4, 1X6, 1X8 & 1X10 CABLE O.D.
0	.040/1.02 TO .065/1.65	.145/3.86 TO .165/4.19	.045/1.14 TO .075/1.91
1	.070/1.78 TO .095/2.41	.170/4.32 TO .195/4.95	.080/2.03 TO .095/2.41
2	.100/2.54 TO .125/3.18	.200/5.08 TO .225/5.72	.100/2.54 TO .115/2.92
3	.130/3.30 TO .155/3.94	.230/5.84 TO .255/6.48	.120/3.05 TO .135/3.43
4	.160/4.06 TO .185/4.70	.260/6.60 TO .285/7.24	.140/3.56 TO .155/3.94
5	.190/4.83 TO .215/5.46	.290/7.34 TO .315/8.00	.160/4.06 TO .175/4.45
6	.220/5.59 TO .245/6.22	NA	.180/4.57 TO .195/4.95
7	.250/6.35 TO .275/6.99	NA	NA
8	NO EXIT HOLE	NO EXIT HOLE	NO EXIT HOLE

W	SIZE CONFIGURATION
1	1 X 4
2	1 X 6
3	1 X 8
4	1 X 10
5	2 X 3
6	2 X 4
7	2 X 6
8	2 X 8
9	2 X 10

V	WIRE SIZE
6	LATCH GUARD (PV'S NOT INCLUDED)
7	
8	PV'S NOT INCLUDED

NOTE 7

EXAMPLE

91486-541 - IS A 2 X 4 REAR EXIT PLUG IN BLACK WITH A CABLE EXIT HOLE SIZE OF .220/5.59 DIA. (ϕ.190/4.83 TO ϕ.215/5.46 CABLE RANGE).

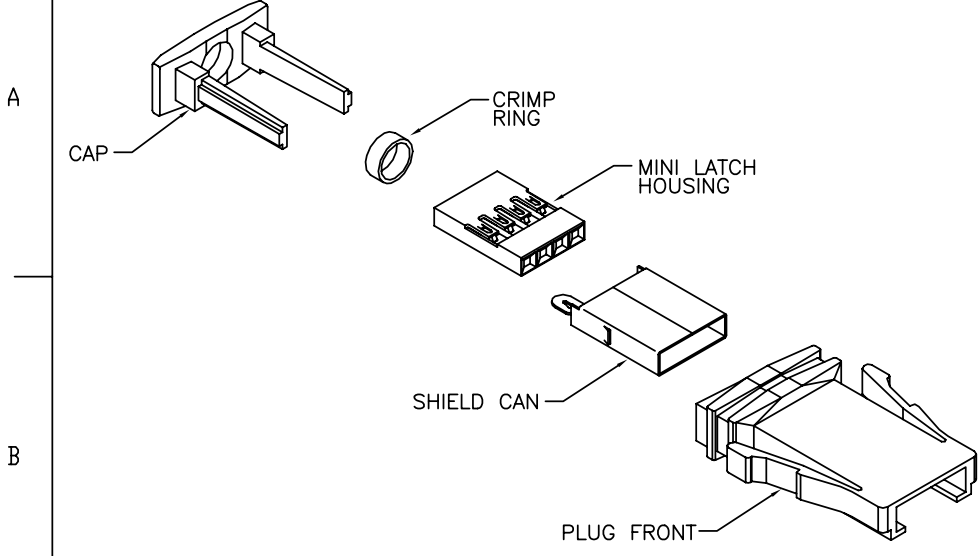
www.fciconnect.com		surface ISO 1302	tolerance std ISO 406/ISO 1101	projection	INCH/MM
		TOLERANCES UNLESS OTHERWISE SPECIFIED			
Dr	D.INGRAM	5/13/96	ANGULAR	size A4	Scale 1:1
Eng	M.SMYK	5/13/96	LINEAR	ECN	N10-0425
Chr	M.SMYK	5/13/96	0° ±2°	Product family	LATCH-N-LOK
Appr	M.SMYK	5/13/96		Spec ref	
		title LATCH-N-LOK CONNECTOR KIT		dwg no 91481	Rev. S
		catalog no		CUSTOMER COPY	sheet 2 of 5



Copyright FCI.

NOTES:

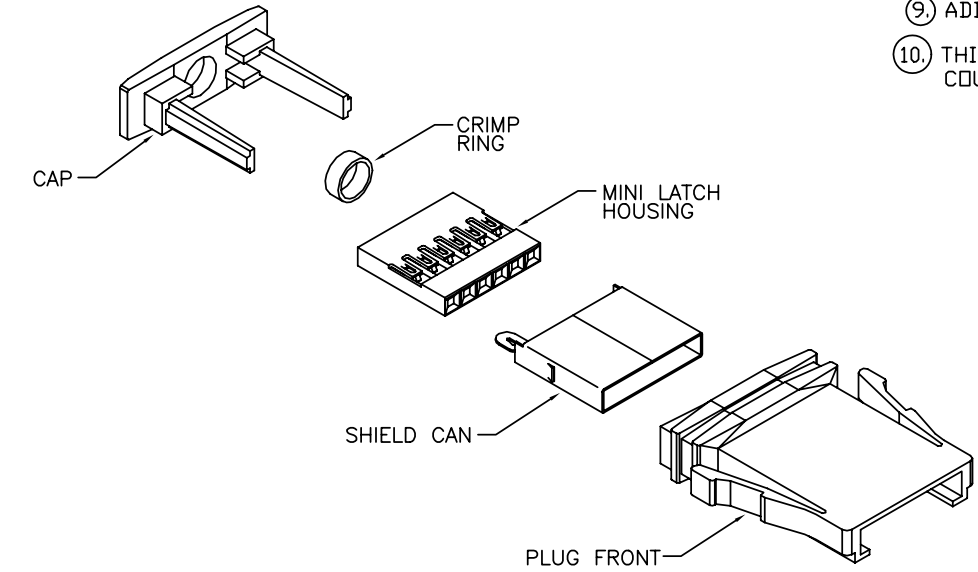
- 1. EACH KIT CONTAINS ONE EACH OF THE FOLLOWING COMPONENTS:
 PLUG FRONT NOTE 8
 CAP
 MINI-LATCH HOUSING
 SHIELD CAN
 CRIMP RING
- 2. COMPONENTS ARE BULK PACKAGE WITH 100 PC OF A COMPONENT PER BAG. PV'S MUST BE ORDERED SEPARATELY.
- 3. MATERIALS USED: PLUGS AND CAPS ARE MOLDED IN POLYCARBONATE. THE MINI-LATCH HOUSING IS MOLDED IN NYLON, COLOR IS BLACK. THE CRIMP RING IS 304 STAINLESS STEEL, 1/2 HARD. THE SHIELD CAN IS 1/2 HARD BRASS, PLATED WITH 100-150 μ "/2.54-4.06 μ OF TIN.
- 4. PLUGS, CAPS, MINI-LATCH HOUSING AND SHIELD CANS ARE ALL U.L. RECOGNIZED AND CSA APPROVED COMPONENTS.
- ⑤ SINGLE ROW CONNECTORS WITH REAR CABLE EXITS ARE CONSIDERED STANDARD PRODUCTS. SINGLE ROW CONNECTORS WITH SIDE CABLE EXITS ARE "CUSTOMER SPECIALS" AND INCLUDE A NYLON TIE WRAP REPLACING THE CRIMP RING (NORMAL CORD RETENTION WILL BE REDUCED AS A RESULT).
- ⑥ PLUG AND CAP COLORS LISTED ARE LOW GLOSS FINISH.
- ⑦ LATCH GUARD TOOLED IN 2 X 4 SIZE ONLY. THESE KITS DO NOT INCLUDE PV TERMINALS.
- ⑧ PLUG TOOLING WITH NO EXIT HOLE AVAILABLE IN 2 X 3, 2 X 4, AND 2 X 6 SIZES ONLY.
- ⑨ ADD LF SUFFIX AT THE END OF PART NUMBER FOR LEAD FREE OPTION.
- ⑩ THIS PRODUCT MEETS EUROPEAN UNION DIRECTIVES AND OTHER COUNTRY REGULATION AS DESCRIBED IN GS-22-008.



THE DIAGRAM FOR 91481



Copyright FCI.



THE DIAGRAM FOR 91482

www.fciconnect.com			surface ISO 1302	tolerance std ISO 406/ISO 1101	projection INCH/MM
			TOLERANCES UNLESS OTHERWISE SPECIFIED		
Dr	D.INGRAM	5/13/96	ANGULAR	LINEAR	size A4
Eng	M.SMYK	5/13/96	0°. ±2°	0.XX/0.X ±0.01/0.3	Scale 1:1
Chr	M.SMYK	5/13/96		0.XXX/0.XX ±0.005/0.13	ECN N10-0425
Appr	M.SMYK	5/13/96		0.XXXX/0.XXX ±0.0020/0.051	Spec ref
title LATCH-N-LOK			Product family LATCH-N-LOK		dwg no 91481
CONNECTOR KIT					Rev. S
catalog no			CUSTDEM CRPY		sheet 3 of 5

1

2

3

4

A

B

C

D

A

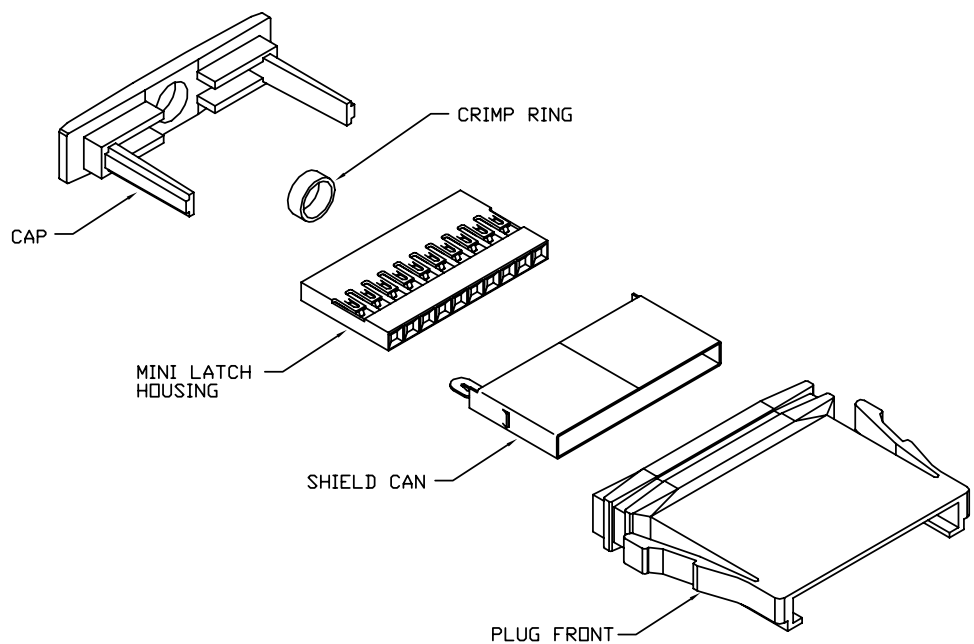
B

C

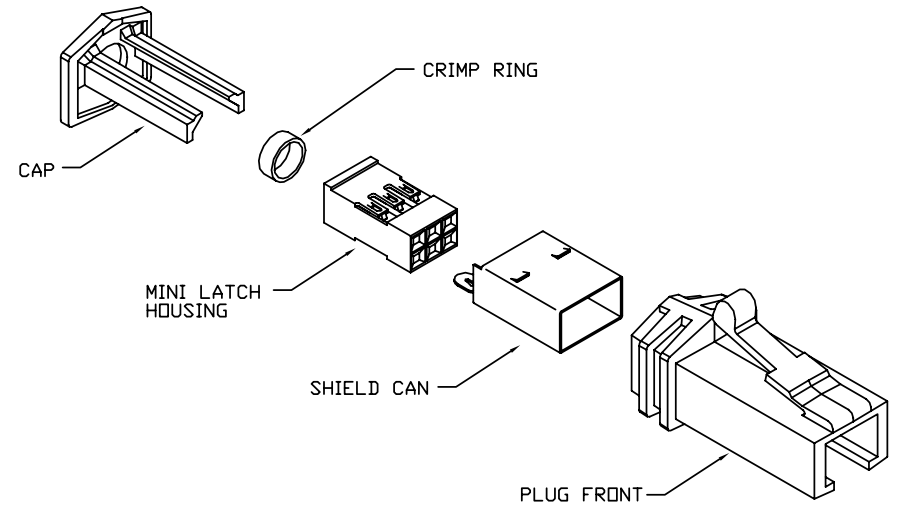
D



THE DIAGRAM FOR 91483



THE DIAGRAM FOR 91484



THE DIAGRAM FOR 91485



THE DIAGRAM FOR 91486

www.fciconnect.com			surface ISO 1302	tolerance std ISO 406/ISO 1101	projection ISO 10	INCH/MM	
			TOLERANCES UNLESS OTHERWISE SPECIFIED				
Dr	D.INGRAM	5/13/96	ANGULAR	0.XX/0.X	±0.01/0.3	size	A4
Eng	M.SMYK	5/13/96	LINEAR	0.XXX/0.XX	±0.005/0.13	Scale	1:1
Chr	M.SMYK	5/13/96	0° ±2°	0.XXXX/0.XXX	±0.0020/0.051	ECN	N10-0425
Appr	M.SMYK	5/13/96	Product family LATCH-N-LOK		Spec ref		
			title LATCH-N-LOK CONNECTOR KIT		dwg no 91481		Rev. S
catalog no			CUSTDEM R COPY		sheet 4 of 5		



Copyright FCI.

1

2

3 PDM: Rev:S

STATUS: Released

4 Printed: Dec 16, 2010