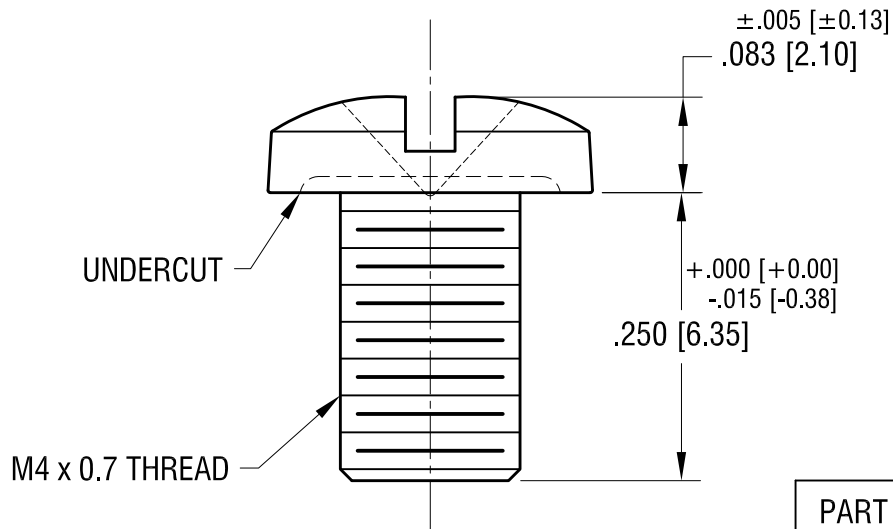
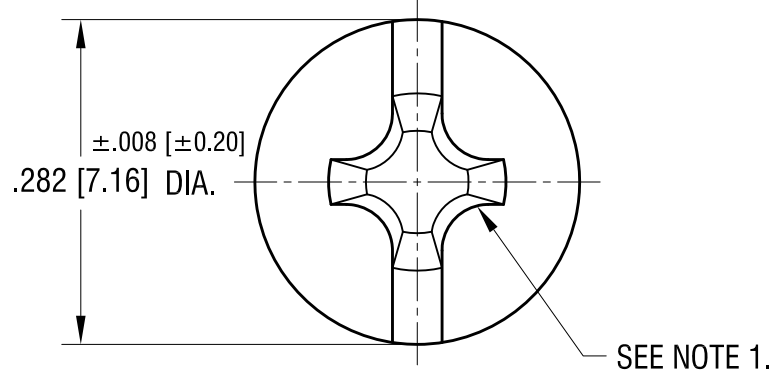


THIS DOCUMENT IS THE PROPERTY OF
KEYSTONE ELECTRONICS CORP. AND
SHALL NOT BE REPRODUCED, DISTRIBUTED
OR USED AS A BASIS FOR MANUFACTURE
WITHOUT PRIOR WRITTEN PERMISSION
FROM KEYSTONE ELECTRONICS CORP.



NOTE:

1. TO ACCEPT STANDARD SLOT OR PHILLIPS DRIVE.
2. HEAD OF SCREW IS POWDER COATED WITH COLOR AS INDICATED IN CHART.

PART NO.	HEAD COLOR
9192-2	RED
9192-3	BLACK
9192-4	WHITE
9192-5	BLUE
9192-6	GREEN
9192-7	YELLOW

KEYSTONE ELECTRONICS CORP.

www.keyelco.com • ASTORIA, N.Y. 11105-2017 • Tel (718) 956-8900

PART NAME

METRIC COMBINATION BINDING HD SCREW

MATERIAL

BRASS

FINISH

NICKEL PLATE

DRN BY

NT

DATE

6.03.15

APP'D

LN

SCALE

6X

TOLERANCES

INCH [MM]

DECIMAL ± .005 [±]

ANGULAR ± 1°
UNLESS OTHERWISE SPECIFIED

CODE

C

DWG NO.

9192-2 -9192-7

DATE

DESCRIPTION

REV.