

NOTES:

1. MATERIALS AND FINISHES:

BODY - ZINC DIECAST - NICKEL PLATED (.000100" MIN)  
 MCX BODY - BRASS - GOLD PLATED (.000010" MIN)  
 MCX CONTACT - BERYLLIUM COPPER - GOLD PLATED (.000030" MIN)  
 INSULATORS - PTFE

2. ELECTRICAL:

A. IMPEDANCE = 75 OHM, NOMINAL  
 B. FREQUENCY RANGE = DC TO 1.0 GHz  
 C. RETURN LOSS = -25 dB MAXIMUM  
 D. INSERTION LOSS = 0.05 dB MAXIMUM  
 E. ISOLATION = -70 dB MAXIMUM

3. MECHANICAL:

A. DURABILITY = 100 CYCLES MIN.  
 B. TEMPERATURE RANGE = -65° C TO +165° C  
 C. AXIAL OFFSET = .000 TO .050  
 RADIAL OFFSET = ±.015

4. MATES WITH 920-123P-71P

5. PACKAGING:

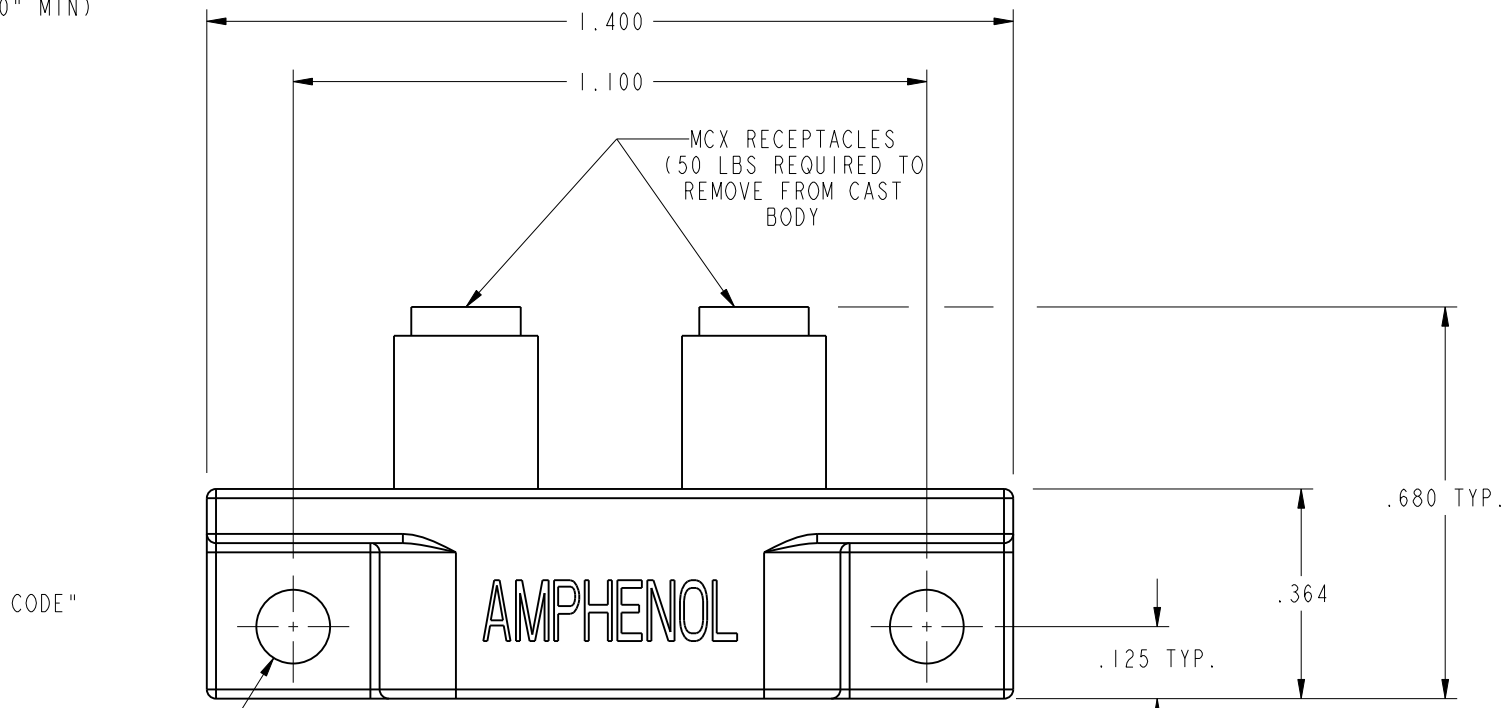
A. PROTECTIVE TRAYS  
 B. TRAY TO BE MARKED: "AMPHENOL, 920-122J-71S, AND DATE CODE"

920-122J-71S

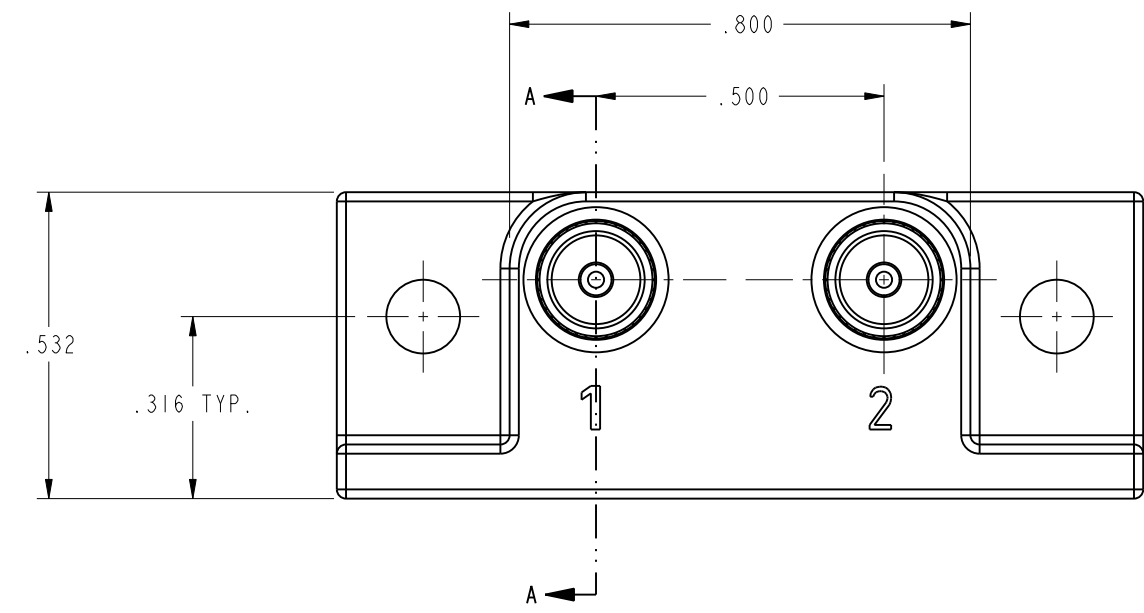
DRAWING NO. THIRD ANGLE PROJ.

REVISIONS

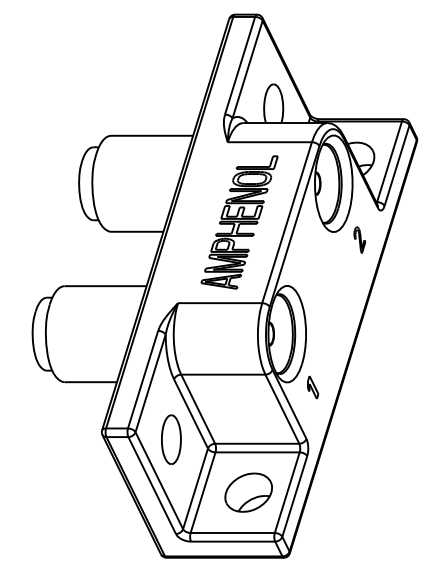
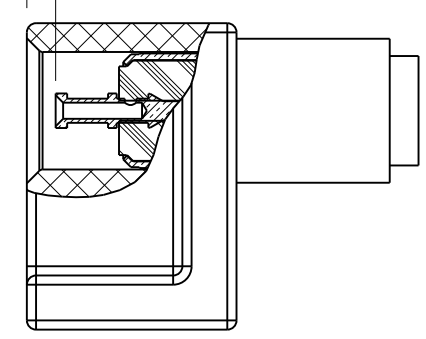
REV	DESCRIPTION	DATE	ECO	APPR
A	RELEASE TO MFG.	10/8/02	44225	BCG
B	A) ADDED: AXIAL & RADIAL OFFSETS	3/21/03	44407	BCG
C	ADD 50 LB REF NOTE TO MCX	4/16/10	47985	CPM



Ø.128 (4 PLACES)



.052 TYP. SECTION A-A  
.048



SCALE 2.000

**CUSTOMER OUTLINE DRAWING**  
 ALL OTHER SHEETS ARE FOR INTERNAL USE ONLY

UNLESS OTHERWISE SPECIFIED, DIMENSIONS ARE IN INCHES AND TOLERANCES ARE: 2 PLACE DECIMAL ±.015 (0,381 mm) 3 PLACE DECIMAL ±.005 (0,127 mm) ANGLES ± 1°	MATERIAL	DRAWN B.C. GLEISSNER	DATE 30-Aug-02	TITLE <b>REDUNDANT I/O BACKPLATE CONNECTOR 2 POSITION</b>		<b>Amphenol RF</b> Danbury, CT, USA Tainan, Taiwan Shenzhen, China www.amphenolrf.com	
	REFERENCE 615X-1651 CON-0274-01 SIMILAR TO: 920-105J-71S GEN# RIVERBLOCKDUALASSY, ASSYF16-MCX	ENGINEER G. ANTONINI	DATE 18-Jan-01				
NOTICE - These drawings, specifications, or other data (1) are, and remain the property of Amphenol Corp. (2) must be returned upon request; and (3) are confidential and not to be disclosed to any person other than those to whom they are given by Amphenol Corp. The furnishing of these drawings, specifications, or other data by Amphenol Corp., or to any other person to anyone for any purpose is not to be regarded by implication or otherwise in any manner licensing, granting rights or permitting such holder or any other person to manufacture, use or sell any product, process or design, patented or otherwise, that may in any way be related to or disclosed by said drawings, specifications, or other data.	CAD FILE I:\AFI\920-122J-71S		CODE ID 74868	DWG SIZE B	DRAWING NO. 920-122J-71S	SCALE: 3.0:1	SHEET 2 OF 2
						REV C	