

NOTES:

1. MATERIALS AND FINISHES:

BODY - BRASS - NICKEL PLATED (.000100" MIN)
 MCX BODY - BRASS - GOLD PLATED (.000010" MIN)
 MCX CONTACT - BERYLLIUM COPPER - GOLD PLATED (.000030" MIN)
 INSULATORS - PTFE

2. ELECTRICAL:

A. IMPEDANCE = 75 OHM, NOMINAL
 B. FREQUENCY RANGE = DC TO 1.0 GHz
 C. RETURN LOSS = -25 dB MAXIMUM
 D. INSERTION LOSS = 0.05 dB MAXIMUM
 E. ISOLATION = -70 dB MAXIMUM

3. MECHANICAL:

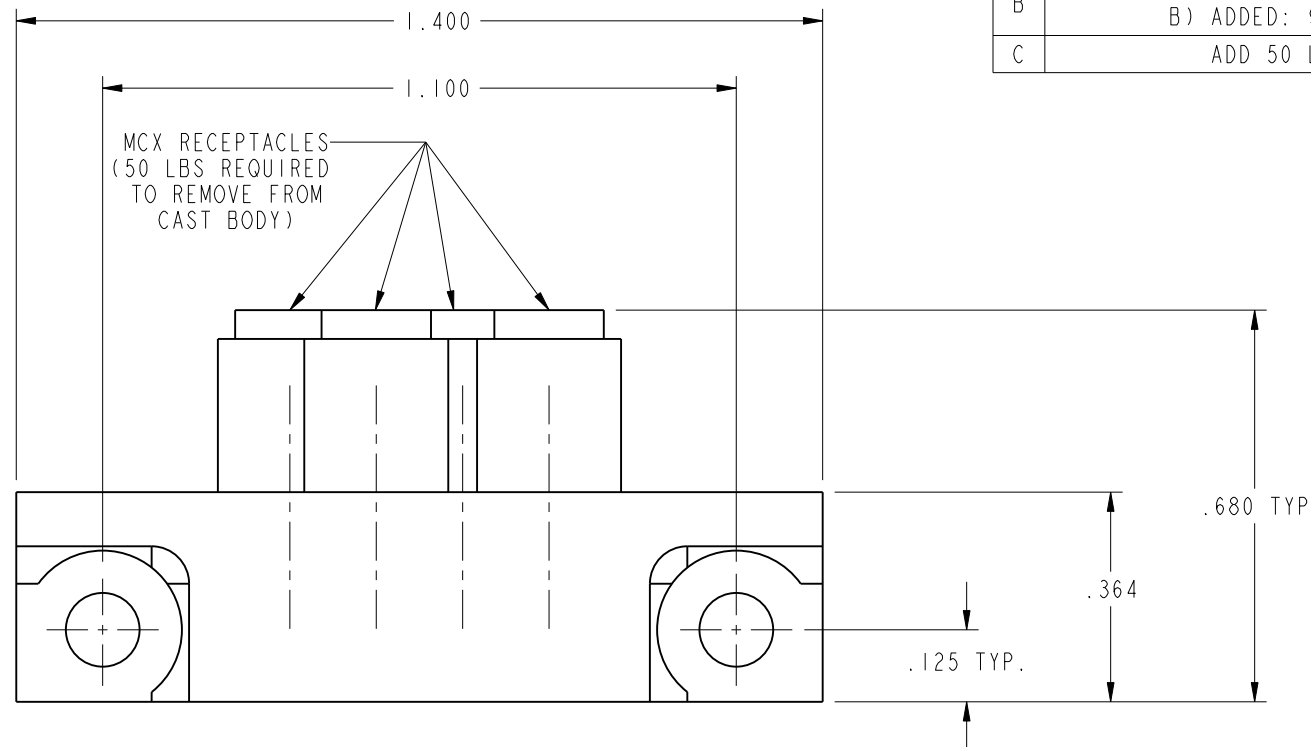
A. DURABILITY = 100 CYCLES MIN.
 B. TEMPERATURE RANGE = -65° C TO +165° C
 C. AXIAL OFFSET = .000 TO .050
 RADIAL OFFSET = ±.015

4. MATES WITH 920-126P-71S & 920-135P-71S

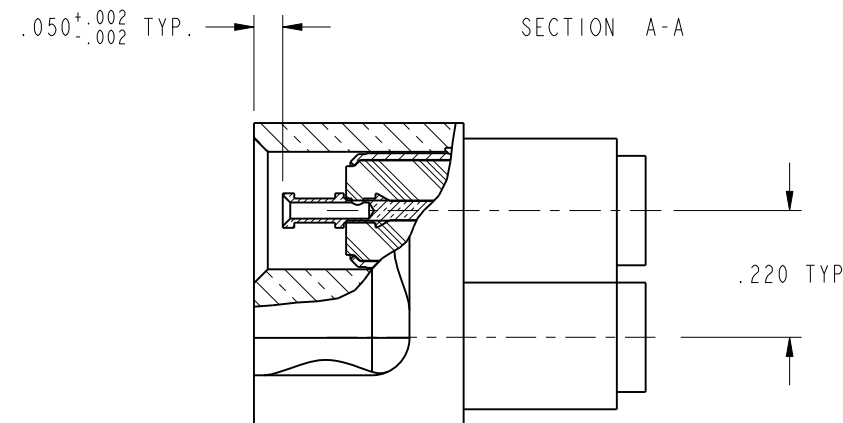
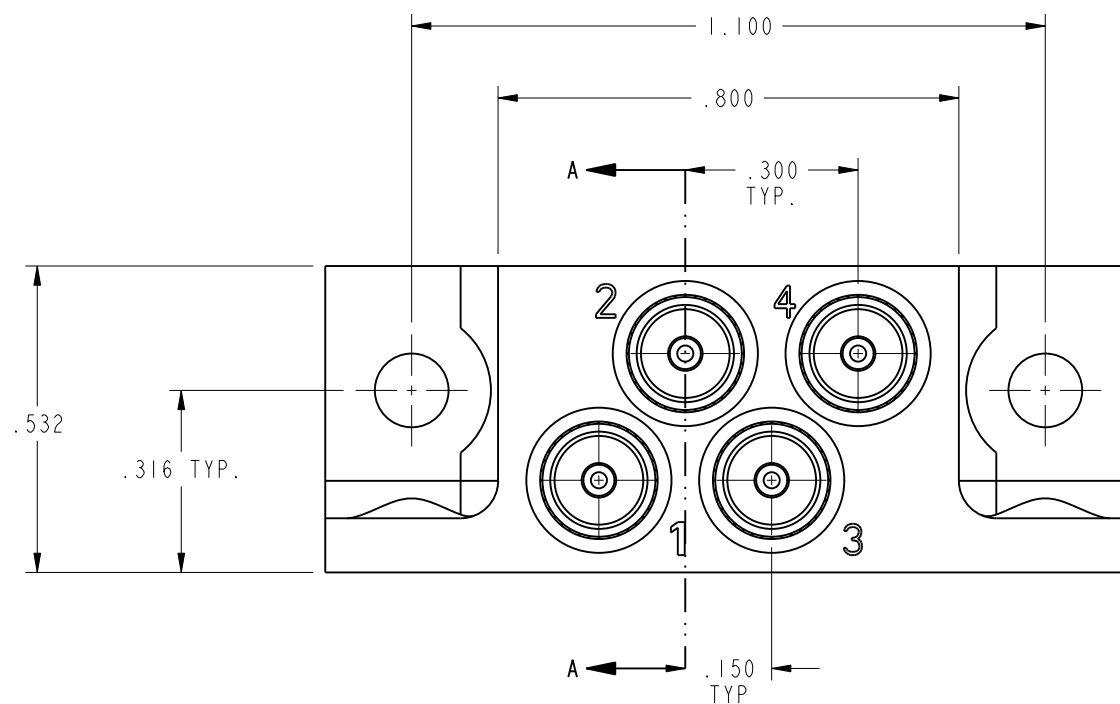
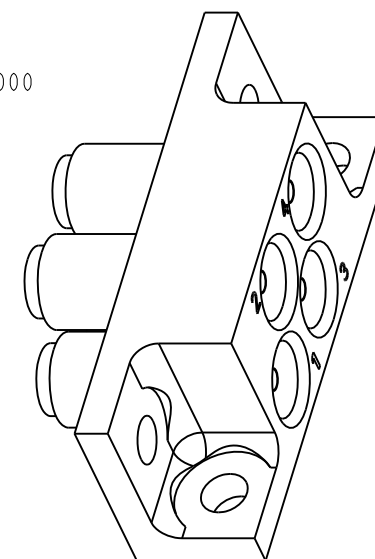
5. PACKAGING:

A. PROTECTIVE TRAYS
 B. TRAY TO BE MARKED: "AMPHENOL, 920-125J-71S, AND DATE CODE"

920-125J-71S		REVISIONS			
DRAWING NO.	REV	DESCRIPTION	DATE	ECO	APPR
THIRD ANGLE PROJ.	A	RELEASE TO MFG.	10/8/02	44226	BCG
	B	A) ADDED: AXIAL & RADIAL OFFSETS B) ADDED: 920-135P-71S TO NOTE 4	3/21/03	44407	BCG
	C	ADD 50 LBS REF NOTE TO MCX	4/16/10	47958	CPM



SCALE 2.000



CUSTOMER OUTLINE DRAWING
 ALL OTHER SHEETS ARE FOR INTERNAL USE ONLY

UNLESS OTHERWISE SPECIFIED, DIMENSIONS ARE IN INCHES AND TOLERANCES ARE: 2 PLACE DECIMAL ±.015 (0,381 mm) 3 PLACE DECIMAL ±.005 (0,127 mm) ANGLES ± 1°	MATERIAL	DRAWN B.C. GLEISSNER	DATE 30-Aug-02	TITLE REDUNDANT I/O BACKPLATE CONNECTOR, 4 POSITION		Amphenol RF Danbury, CT, USA Tainan, Taiwan Shenzhen, China www.amphenolrf.com
	REFERENCE 615X-1723-100 CON-0277-01 SIMILAR TO: 920-107J-71S GEN# ASSYF3_AFI	ENGINEER B.C. GLEISSNER	DATE 06-Aug-01			
NOTICE - These drawings, specifications, or other data (1) are, and remain the property of Amphenol Corp. (2) must be returned upon request; and (3) are confidential and not to be disclosed to any person other than those to whom they are given by Amphenol Corp. The furnishing of these drawings, specifications, or other data by Amphenol Corp., or to any other person to anyone for any purpose is not to be regarded by implication or otherwise in any manner licensing, granting rights or permitting such holder or any other person to manufacture, use or sell any product, process or design, patented or otherwise, that may in any way be related to or disclosed by said drawings, specifications, or other data.	CAD FILE I:\AFI\920-125J-71S		CODE ID 74868	DWG SIZE B	DRAWING NO. 920-125J-71S	SCALE: 3.0:1
						SHEET 2 OF 2