

NOTES:

1. MATERIALS AND FINISHES:

BODY - BERYLLIUM COPPER - GOLD PLATED OVER WHITE BRONZE
 CONTACT - BERYLLIUM COPPER - GOLD PLATED OVER WHITE BRONZE
 SLEEVE - BERYLLIUM COPPER - GOLD PLATED OVER WHITE BRONZE
 INSULATORS - PTFE

2. ELECTRICAL:

A. IMPEDANCE = 50 OHM, NOMINAL
 B. FREQUENCY RANGE = DC TO 6.0 GHz
 C. RETURN LOSS = -25 dB MAXIMUM
 D. INSERTION LOSS = 0.05 dB MAXIMUM
 E. ISOLATION = -70 dB MAXIMUM

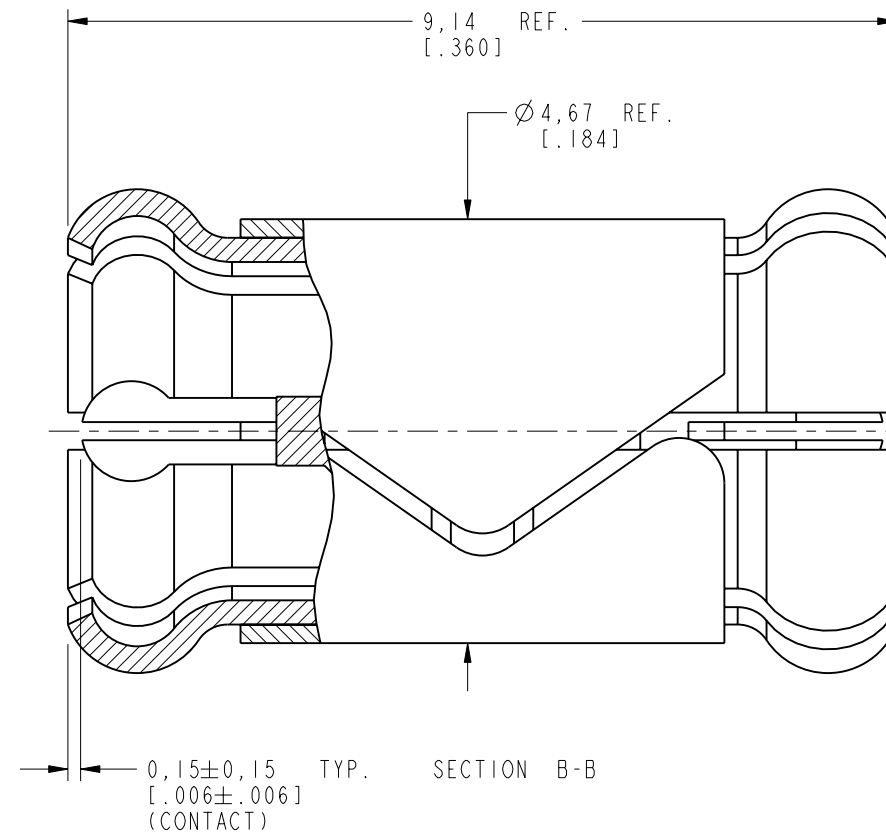
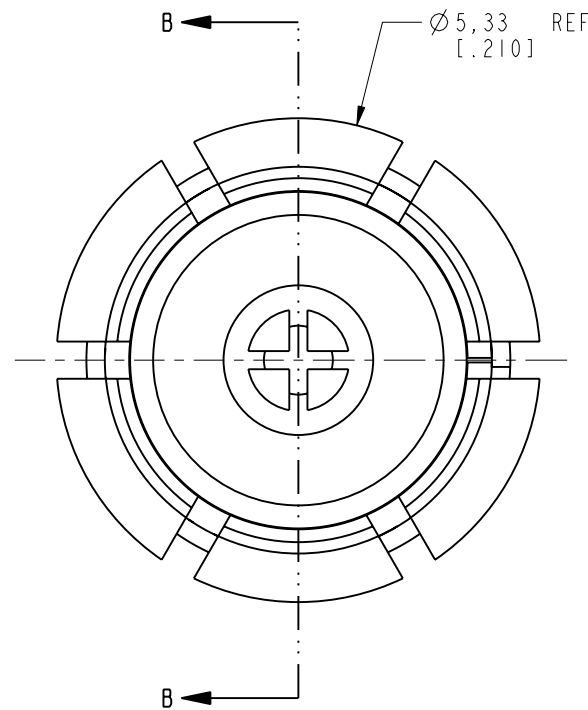
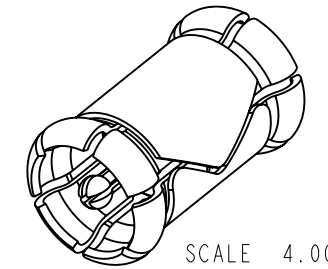
3. MECHANICAL:

A. DURABILITY = 500 CYCLES MIN.
 B. TEMPERATURE RANGE = -65° C TO +165° C
 C. ENGAGEMENT FORCE = 5.0 LBS MAX.
 DISENGAGEMENT FORCE = 0.5 LBS. MIN.

THIRD ANGLE PROJ.

REVISIONS

REV	DESCRIPTION	DATE	ECO	APPR
A	RELEASE TO MFG.			KJC
B	SPRING RING WAS CHANGED\RD-DM07011902C	24-Jan-07	47504	CISSY
C	P/N. OF SPRING RING WAS CHANGED\RD-DM110810011	16-Aug-11	48742	SCOTT
D	Ø4.67 REF WAS Ø4.67	15-Dec-14		RM



CUSTOMER OUTLINE DRAWING

ALL OTHER SHEETS ARE FOR INTERNAL USE ONLY

UNLESS OTHERWISE SPECIFIED, DIMENSIONS ARE IN METRIC AND TOLERANCES ARE: <0.5mm ±0.05mm 0.5 - 6mm ±0.1mm 6 - 30mm ±0.2mm 30 - 120mm ±0.3mm ANGLES ±1°	MATERIAL SEE NOTES	DRAWN I. XU	DATE 13-Aug-11	TITLE 50 OHM AFI BULLET NO NICKEL UNDERPLATE SCALE: 12.0:1.0 SHEET 2 OF 2	Amphenol RF www.amphenolrf.com DRAWING NO. 920-169A-51S ITEM NO. 920-169A-51S PART NO. 920-169A-51S	
	REFERENCE GEN# ASSYMI_AFI	ENGINEER C. WANG	DATE 24-Jan-07			
	FINISH	APPROVED S. HSIEH	DATE 15-Dec-14	DWG SIZE B		REV D
		CAD FILE I:\AFI\920-169A-51S				