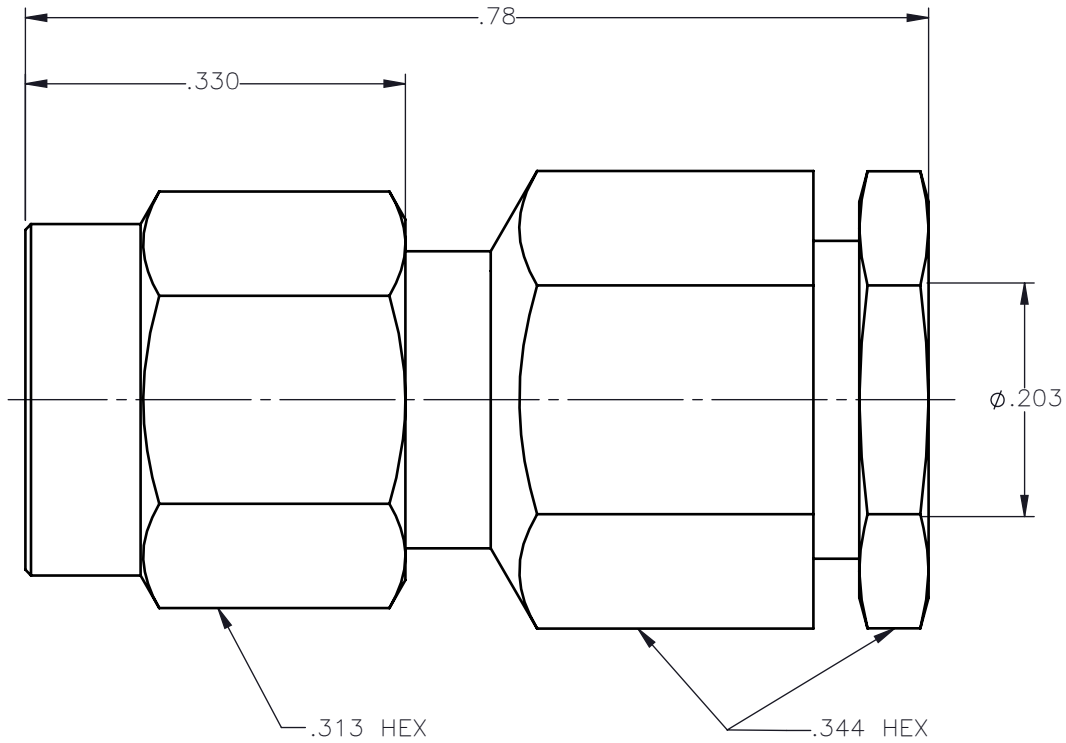
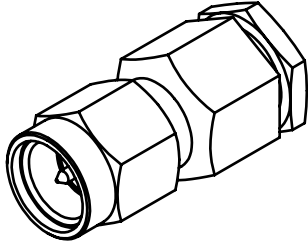


REVISIONS			
REV.	DESCRIPTION	DATE	APPROVED
A	INITIAL RELEASE	05/01/15	N.D.





NOTES:

MATERIALS:

1. BODY & COUPLING NUT = STAINLESS STEEL PER ASTM A582, ALLOY 303, CONDITION "A".
2. INSULATORS = VIRGIN WHITE TEFLON PER ASTM D1710, GRADE 1, TYPE I, CLASS "B".
3. CONTACT & RING = BERYLLIUM COPPER PER ASTM B196, ALLOY C17300, TEMPER TD04.
4. FERRULE, WASHER, & COMPRESSION NUT = BRASS PER ASTM B16, ALLOY C36000, TEMPER H02.
5. GASKET = SILICONE RUBBER PER ZZ-R-765, CLASS 2B, GRADE 65-75.

FINISHES:

1. BODY AND COUPLING NUT = PASSIVATE PER SAE-AMS-2700
2. CONTACT = GOLD PLATE PER ASTM B488-01, TYPE II, 50 μ in MIN, GRADE C, OVER 100 TO 200 μ in STRESS FREE SULFAMATE NICKEL PER QQ-N-290.
3. FERRULE, WASHER, & COMPRESSION NUT = NICKEL PLATE PER QQ-N-290, 50 μ in MIN, GRADE G, EXCEPT 100 TO 200 μ in THICK OVER 50 TO 100 μ in THICK COPPER PER MIL-C-14550.

UNLESS OTHERWISE SPECIFIED DIMENSIONS ARE IN INCHES TOLERANCES ON	DWN:	DATE	 Property of Radiall This document cannot be reproduced or communicated to a third party without prior written permission of RADIALL.			
	N.D.	05/01/15				
DECIMAL	ANGLE	CHKD:	DATE	SMA STRAIGHT PLUG COMPRESSION TYPE FOR RG-58 & SIMILAR CABLES		
		D.N.	05/01/15			
		APVD:	DATE			
		J.M.	05/01/15			
REFERENCE:	MATERIALS AND FINISHES:		SIZE	FSCM NO.	DWG. NO.	REV
ORIGINATED: N.D. DATE: 05/01/15	SEE NOTES		A	19505	9201-9553-006	A
			SCALE 5:1	THIRD ANGLE PROJECTION		SHEET 1 OF 1

9201-9553-006