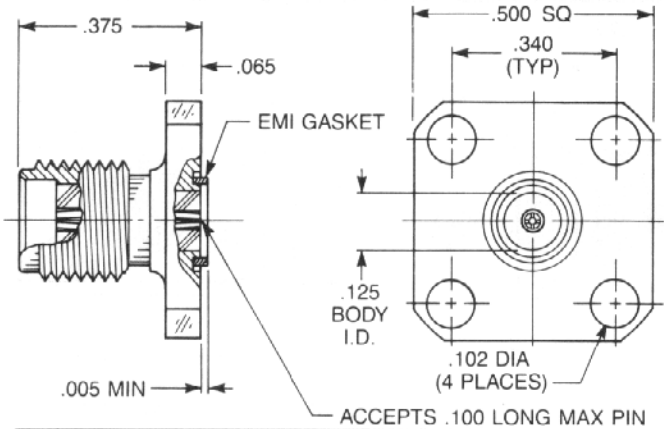




# HERMETIC SEAL LAUNCHERS

## FOR .018" DIAMETER PINS



### Straight Jack 1/2" Square Flange

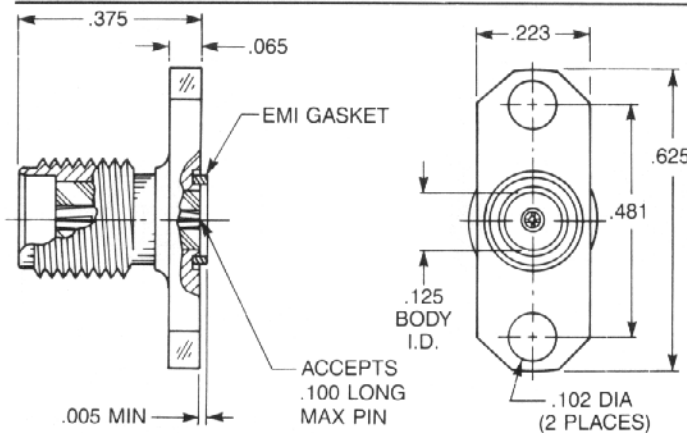
9049-9513-000

Optional packaging:

9149-9513-000 (Includes 920-56)

9249-9513-000 (Includes 920-56  
and 907-111-2)

9349-9513-000 (Includes 907-111-2)



### Straight Jack 2-Hole Flange

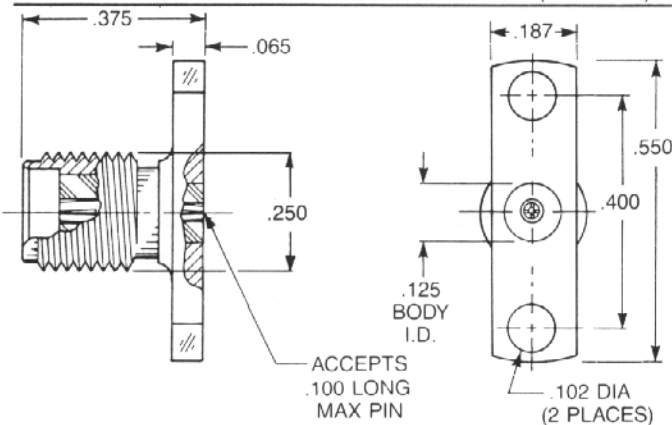
9048-9513-000

Optional packaging:

9148-9513-000 (Includes 920-56)

9248-9513-000 (Includes 920-56  
and 907-111-2)

9348-9513-000 (Includes 907-111-2)



### Straight Jack Narrow 2-Hole Flange

No EMI gasket

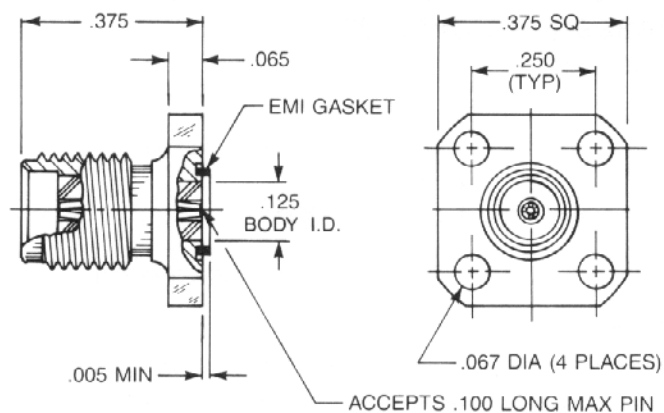
9081-9513-000

Optional packaging:

9181-9513-000 (Includes 920-56)

9281-9513-000 (Includes 920-56  
and 907-111-2)

9381-9513-000 (Includes 907-111-2)



### Straight Jack 3/8" Square Flange

9074-9513-000

Optional packaging:

9174-9513-000 (Includes 920-56)

9274-9513-000 (Includes 920-56  
and 907-111-2)

9374-9513-000 (Includes 907-111-2)

These units accept pin diameters .016 to .020"

e-mail: [aepsales@aepconnectors.com](mailto:aepsales@aepconnectors.com)

AEP New Haven, CT  
203/776-2813



FOR .018" DIAMETER PINS

**Straight Jack Rectangular Flange**

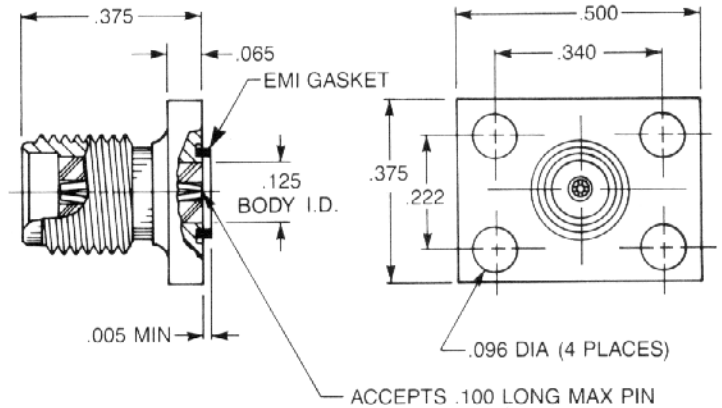
9068-9513-000

Optional packaging:

9168-9513-000 (Includes 920-56)

9268-9513-000 (Includes 920-56 and 907-111-2)

9368-9513-000 (Includes 907-111-2)



**Straight Plug 1/2" Square Flange**

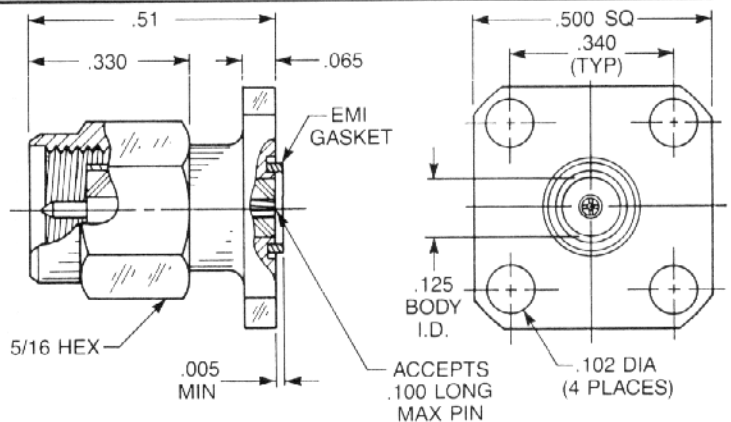
9051-9513-000

Optional packaging:

9151-9513-000 (Includes 920-56)

9251-9513-000 (Includes 920-56 and 907-111-2)

9351-9513-000 (Includes 907-111-2)



**Straight Plug 2-Hole Flange**

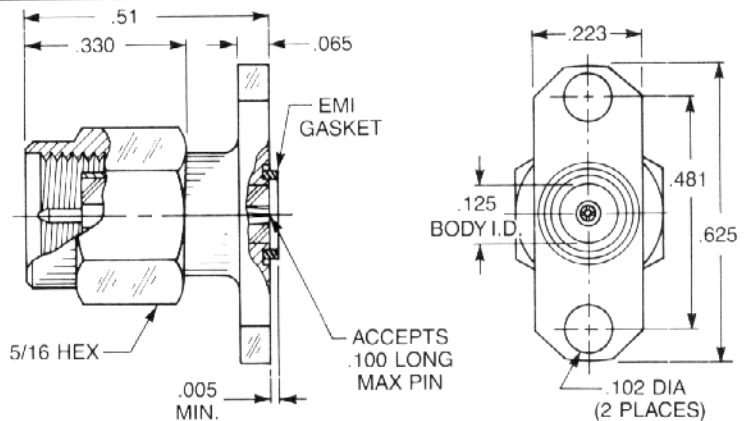
9050-9513-000

Optional packaging:

9150-9513-000 (Includes 920-56)

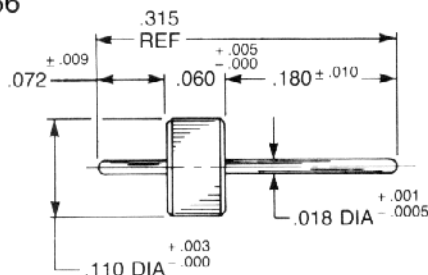
9250-9513-000 (Includes 920-56 and 907-111-2)

9350-9513-000 (Includes 907-111-2)



**Solder-In Hermetic Seal**

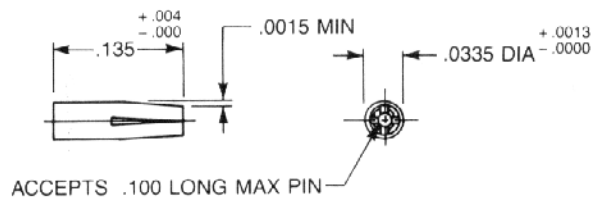
P/N 920-56



See page 45 for material and finish specifications and mounting dimensions.

**Accessory Contact**

P/N 907-111-2



Material: Beryllium copper  
 Finish: Gold per MIL-G-45204, type II, class 1, grade C over .0001 copper per MIL-C-14450

These units accept pin diameters .016 to .020"