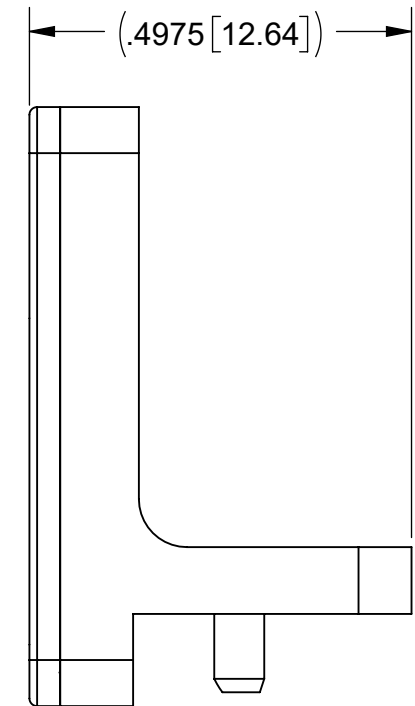
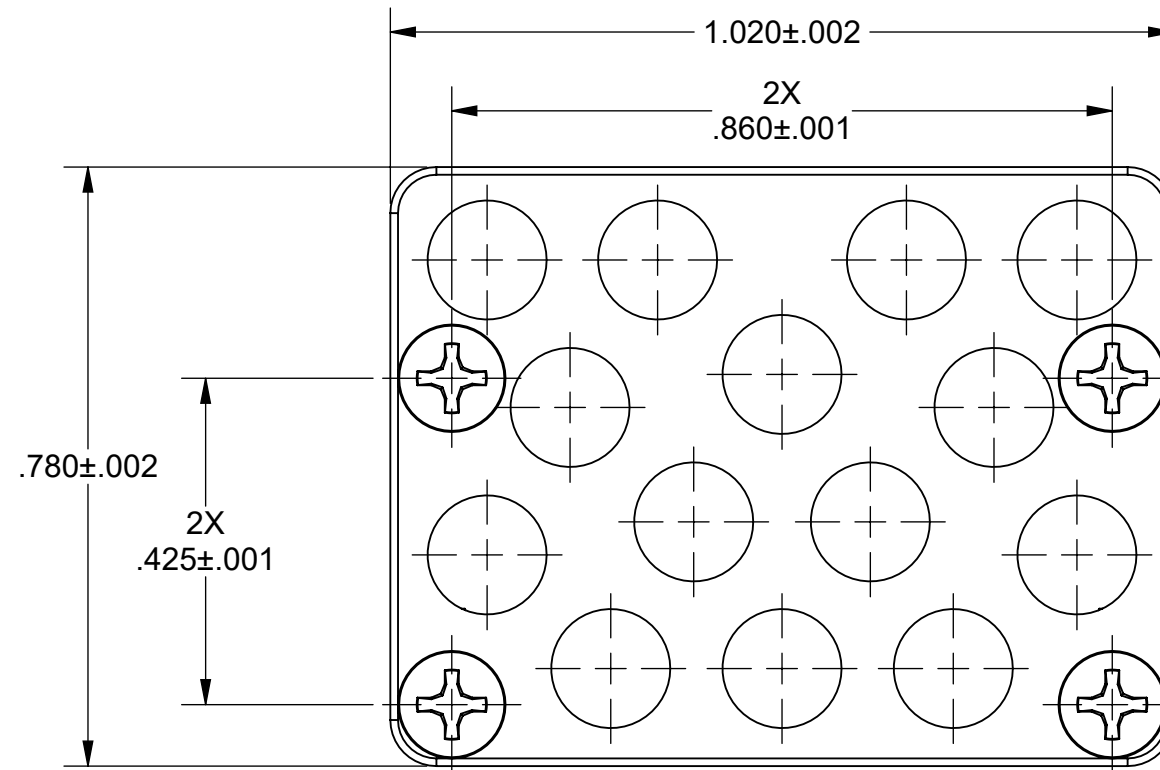
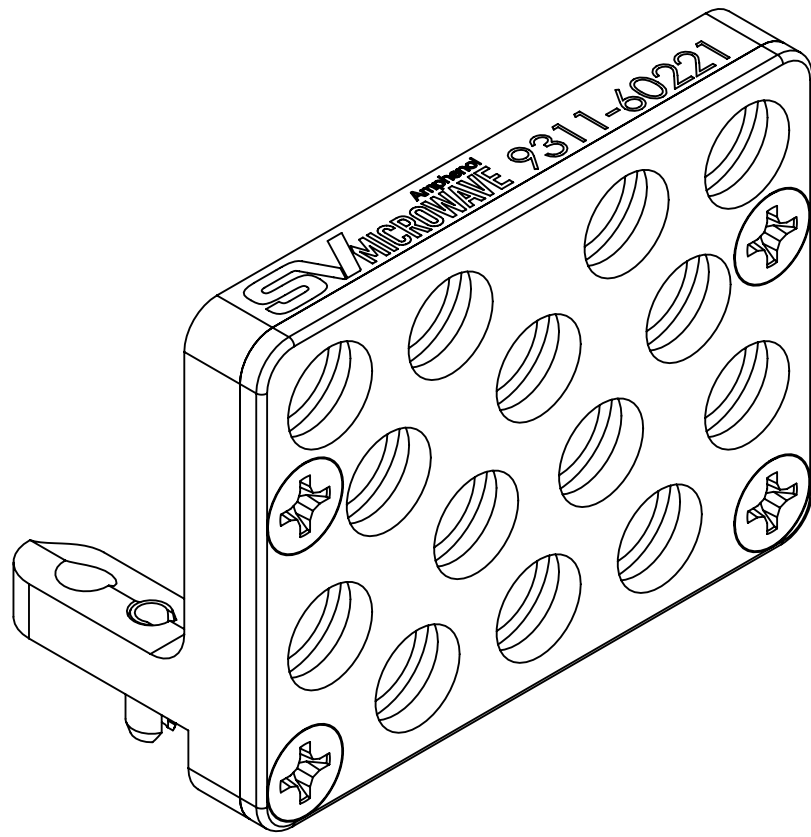


PRODUCT DATA DRAWING

REVISION HISTORY			
REV	DESCRIPTION	DATE	APPROVED
-	NRN 45699	03/21	SEE PDM



MATERIAL:

BODIES: STAINLESS STEEL PER AMS-5640, ALLOY UNS S30300, TYPE 1; OR ASTM A582 TYPE 303, COND. A

SPRING PIN: 420 STAINLESS STEEL

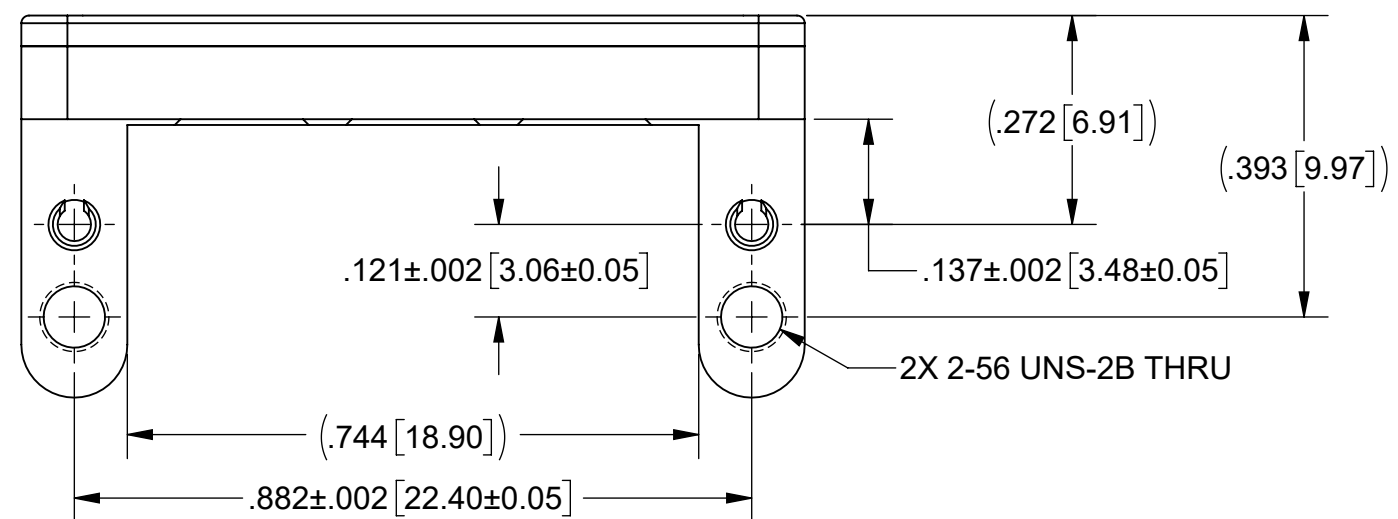
SCREWS: 18-8 STAINLESS STEEL

FINISH:

BODIES: PASSIVATED PER AMS-2700

NOTES:

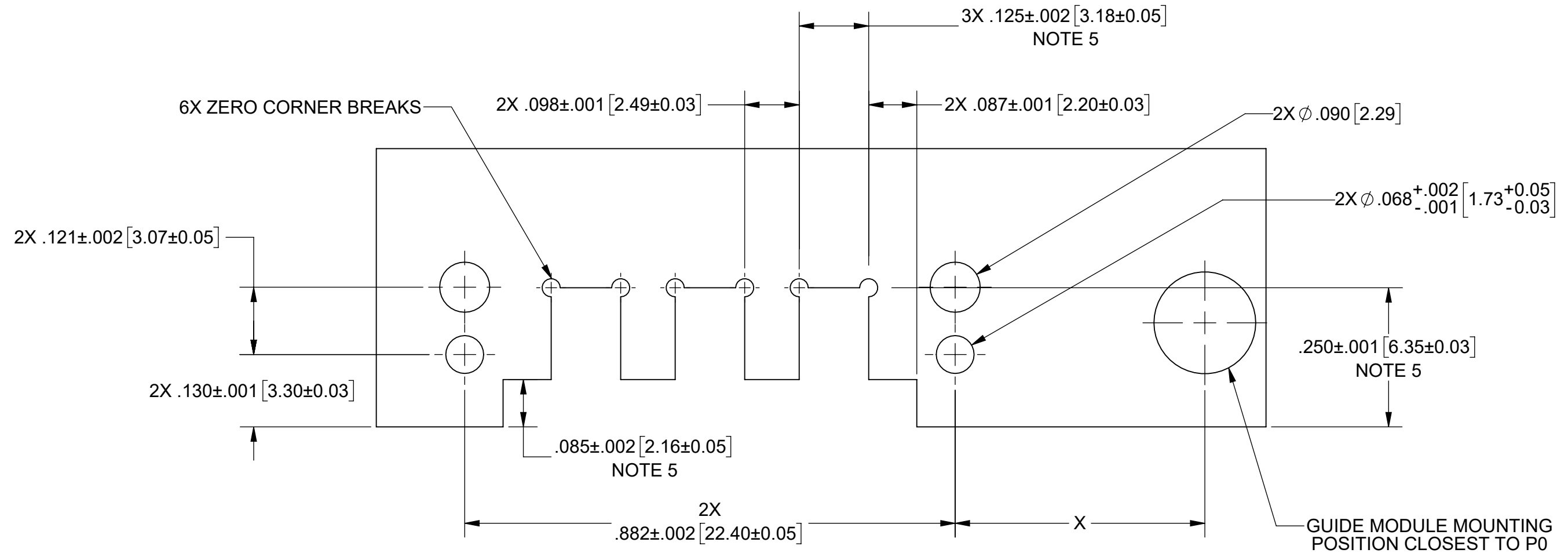
- MATES TO BACKPLANE MODULE: SF9321-60086.
- POPULATE WITH ADAPTER CONTACT (1132-6116) OR CABLE CONTACTS (Ø.086 3211-60350 & Ø.047 3211-60351).
- REMOVAL TOOL FOR Ø.086 AND Ø.047 CABLE CONTACTS: 500-32-044.
- ADAPTER CONTACT REMOVAL ONLY REQUIRES REMOVAL OF FRONT PLATE PHILIPS HEAD SCREWS.



MATERIAL: SEE NOTES	DIMENSIONS ARE IN INCHES TOLERANCES: FRACTIONAL: ±1/64 ANGULAR: X° ±1'0" X'X' ±15'	UNLESS OTHERWISE SPECIFIED 1) ALL DIMENSIONS ARE IN INCHES (MILLIMETERS) 2) ALL DIMENSIONS ARE AFTER PLATING. 3) BREAK CORNERS & EDGES .005 R. MAX. 4) CHAM. 1ST & LAST THREADS. 5) SURFACE ROUGHNESS 63-MIL-STD-10. 6) DIA.'S ON COMMON CENTERS TO BE CONCENTRIC WITHIN .005 T.I.R. 7) REMOVE ALL BURRS	 TITLE: VITA 67.3 PLUG-IN MODULE C, 14 PORT, SMPM
FINISH: SEE NOTES	DECIMAL: X ±.030 .XX ±.010 .XXX ±.005	INTERPRET DIMENSIONS AND TOLERANCES PER ASME Y14.5M - 1994	
SURFACE AREA: N/A	THIRD ANGLE PROJECTION	DRAWN: JPM 03/25/21	SIZE DWG. NO. B 9311-60221
PROPRIETARY THE INFORMATION CONTAINED IN THIS DRAWING IS THE SOLE PROPERTY OF SV MICROWAVE, INC. ANY REPRODUCTION IN PART OR AS A WHOLE WITHOUT THE WRITTEN PERMISSION OF SV MICROWAVE, INC IS PROHIBITED.		CHECKED: SEE PDM	SCALE: 4:1
		APPROVED: SEE PDM	SHEET 1 OF 2

PRODUCT DATA DRAWING

REVISION HISTORY			
REV	DESCRIPTION	DATE	APPROVED
	SEE SHEET I		
			SEE PDM



RECOMMENDED PCB CUTOUT

CONNECTOR LOCATION ON DAUGHTER CARD PCB	
POSITION	DIM 'X'
P2	2.144" [54.46]
P3	3.701" [94.01]
P4	5.035" [127.89]
P5	6.168" [156.67]
P6	7.316" [185.83]

NOTES:
5. DIMENSIONS WHEN USING 3211-60035 EDGE LAUNCH CONNECTOR.

MATERIAL: SEE NOTES	DIMENSIONS ARE IN INCHES TOLERANCES: FRACTIONAL: ±1/64 ANGULAR: X° ±1'0" X'X' ±15'	UNLESS OTHERWISE SPECIFIED 1) ALL DIMENSIONS ARE IN INCHES (MILLIMETERS) 2) ALL DIMENSIONS ARE AFTER PLATING. 3) BREAK CORNERS & EDGES .005 R. MAX. 4) CHAM. 1ST & LAST THREADS. 5) SURFACE ROUGHNESS 63-MIL-STD-10. 6) DIA: 'S' ON COMMON CENTERS TO BE CONCENTRIC WITHIN .004 T.I.R. 7) REMOVE ALL BURRS	www.svmicrowave.com
FINISH: SEE NOTES	DECIMAL: X ±.030 .XX ±.010 .XXX ±.005	INTERPRET DIMENSIONS AND TOLERANCES PER ASME Y14.5M - 1994	TITLE: VITA 67.3 PLUG-IN MODULE C, 14 PORT, SMPM
SURFACE AREA: N/A	THIRD ANGLE PROJECTION	DRAWN: JPM 03/25/21	SIZE DWG. NO. B 9311-60221
PROPRIETARY THE INFORMATION CONTAINED IN THIS DRAWING IS THE SOLE PROPERTY OF SV MICROWAVE, INC. ANY REPRODUCTION IN PART OR AS A WHOLE WITHOUT THE WRITTEN PERMISSION OF SV MICROWAVE, INC IS PROHIBITED.		CHECKED: SEE PDM	SCALE: 5:1
		APPROVED: SEE PDM	SHEET 2 OF 2