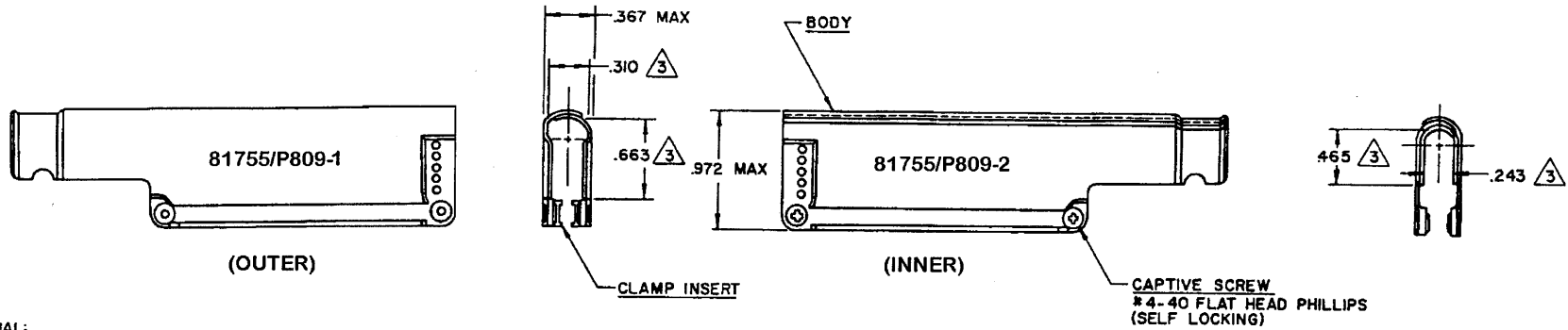
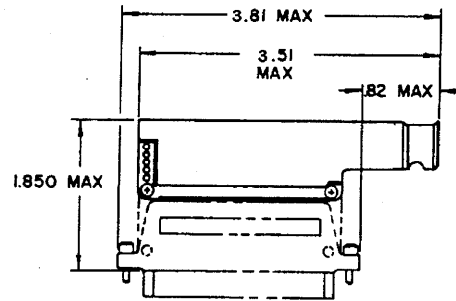


REVISIONS			
ZONE/LTR	DESCRIPTION	DATE	APPROVAL
—/N/C	INITIAL RELEASE PER ECN # T-20417	8-29-85	HAGMANN

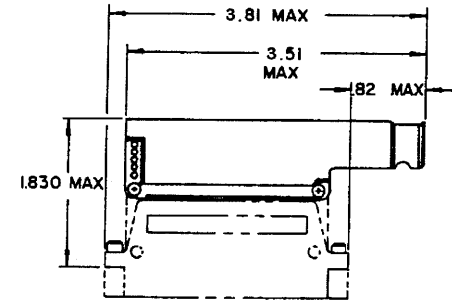


NOTES:

1. MATERIAL:
  - A. BODY; PHOSPHOR BRONZE PER ASTM B-139.
  - B. CAPTIVE SCREW; STAINLESS STEEL PER QQ-S-763, 300 SERIES.
  - C. CLAMP INSERT; FLUOROSILICONE ELASTOMER PER MIL-R-25988.
2. FINISH:
  - A. BODY; TIN PLATED PER MIL-T-10727 OVER NICKEL PER MIL-C-26074.
  - B. CAPTIVE SCREW; CADMIUM PLATED PER QQ-P-416
3. THESE DIMENSIONS ARE FOR MAXIMUM CABLE ACCOMMODATION.
4. **Raychem** PART NUMBER IS MARKED ON BACKSHELL PACKAGE.
5. THIS BACKSHELL IS FOR USE WITH **Raychem** MTC SERIES CONNECTORS. 2" PLUG OR 2" RECEPTACLE AS SHOWN.



2 INCH PLUG ASSY  
INSTALLATION DATA  
REF



2 INCH RECEPTACLE ASSY  
INSTALLATION DATA  
REF

CUSTOMER P/N	RAYCHEM P/N	STYLE
81755/P809-1	CHA-0018-103	OUTER
81755/P809-2	CHA-0018-203	INNER

SPECIFICATION CONTROL DRAWING

UNLESS OTHERWISE SPECIFIED DIMENSIONS ARE IN INCHES BRACKETED DIMENSIONS ( ) ARE METRIC AND TOLERANCES ARE:  .xxx: ± ( ) .xx: ± ( ) Δ: ± ( )	DRAWN	W.JACKSON	9-80	<b>Raychem</b> <small>RAYCHEM CORPORATION 300 CONSTITUTION DRIVE WORLD PARK, CALIFORNIA 94025</small> <b>TITLE RIGHT ANGLE BREAKOUT BACKSHELL 2 INCH MTC</b>												
	CHECKED	B														
	APPROVED	Plain	7-20-80													
	APPROVED															
				<table border="1"> <tr> <td>SIZE</td> <td>CODE IDENT</td> <td>DWG. NO.</td> </tr> <tr> <td>A</td> <td>NO. 06090</td> <td>CHA-0018-X03</td> </tr> <tr> <td>CAD NAME</td> <td>001029-1.PCX</td> <td>WEIGHT</td> </tr> <tr> <td></td> <td></td> <td>SHEET 1 OF 1</td> </tr> </table>	SIZE	CODE IDENT	DWG. NO.	A	NO. 06090	CHA-0018-X03	CAD NAME	001029-1.PCX	WEIGHT			SHEET 1 OF 1
SIZE	CODE IDENT	DWG. NO.														
A	NO. 06090	CHA-0018-X03														
CAD NAME	001029-1.PCX	WEIGHT														
		SHEET 1 OF 1														

If this document is printed it becomes uncontrolled.  
Check with the web for latest revision.

DO NOT SCALE THIS DRAWING.