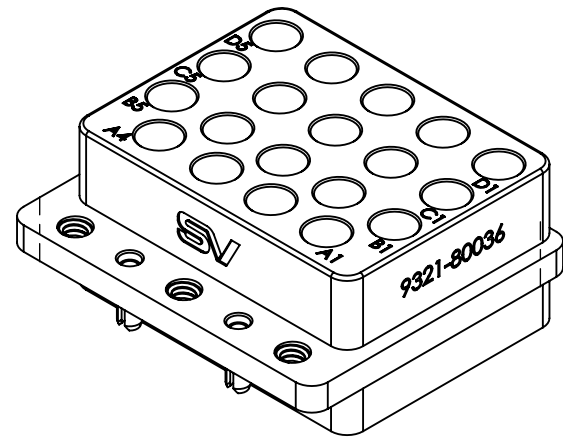
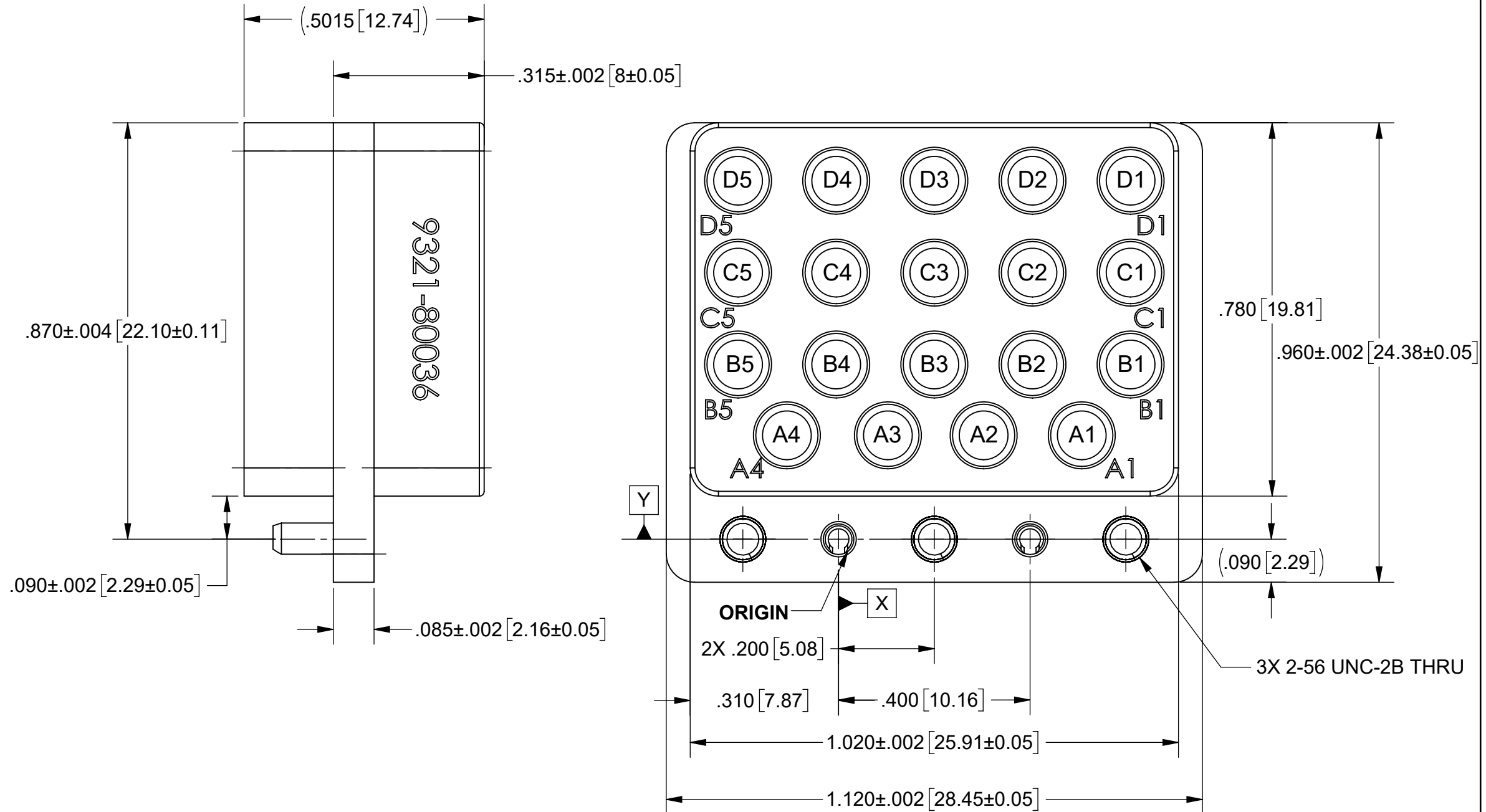


CUI BASIC PRODUCT DATA DRAWING

REVISION HISTORY			
REV	DESCRIPTION	DATE	APPROVED
-	NRN 46244	09/21	SEE PDM



HOLE CHART		
HOLE No.	X	Y
ORIGIN	0.000	0.000
A1	0.508	0.217
A2	0.303	0.217
A3	0.103	0.217
A4	-0.108	0.217
B1	0.610	0.365
B2	0.405	0.365
B3	0.200	0.365
B4	-0.005	0.365
B5	-0.210	0.365
C1	0.610	0.557
C2	0.405	0.557
C3	0.200	0.557
C4	-0.005	0.557
C5	-0.210	0.557
D1	0.610	0.749
D2	0.405	0.749
D3	0.200	0.749
D4	-0.005	0.749
D5	-0.210	0.749



- NOTES:**
- USES CONTACT 3821-40024 OR SIMILAR.
 - DESIGNED FOR USE WITH SF9311-60171 OR 9311-80025.

MATERIAL:

BODY: ALUMINUM ALLOY 7075

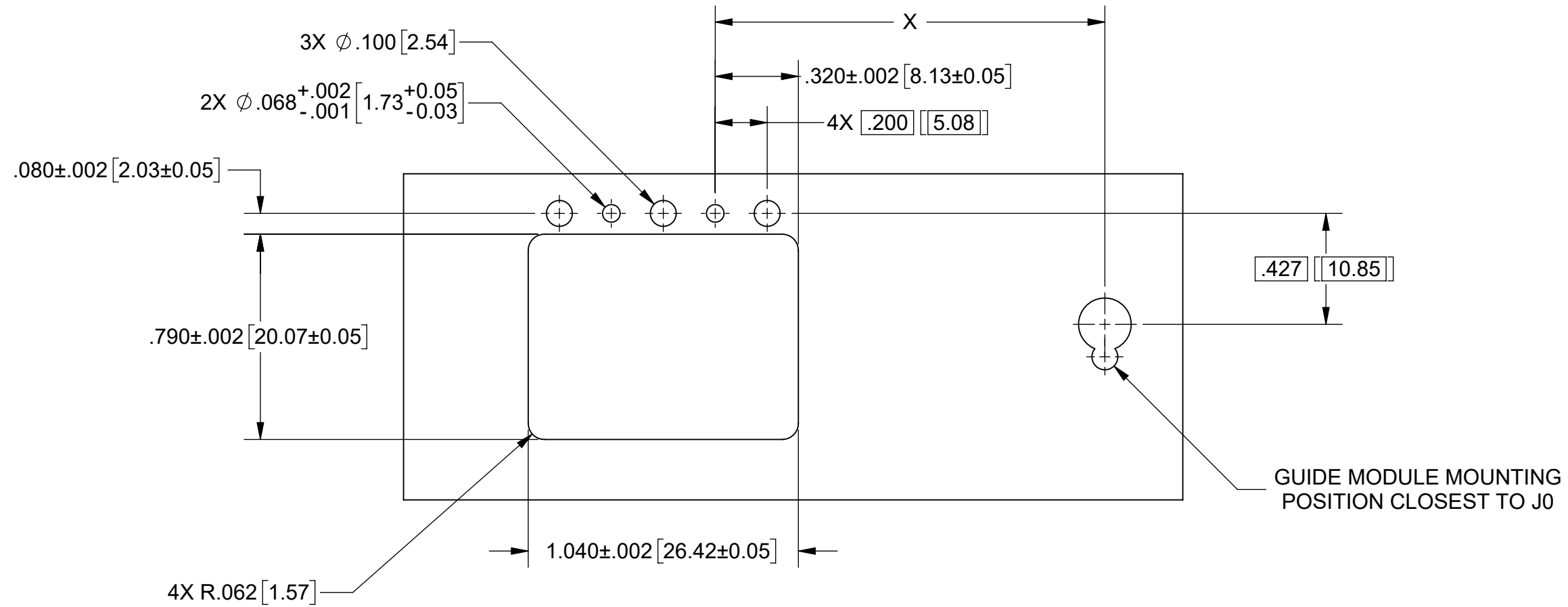
SPRING PINS: 420 STAINLESS STEEL

THREADED INSERTS: 18-8 STAINLESS STEEL

MATERIAL:	SEE NOTES	DIMENSIONS ARE IN INCHES TOLERANCES:	UNLESS OTHERWISE SPECIFIED	
FINISH:	SEE NOTES	FRACTIONAL: $\pm 1/64$ ANGULAR: X° $\pm 1'0''$ X'X' $\pm 15'$	1) ALL DIMENSIONS ARE IN INCHES (MILLIMETERS) 2) ALL DIMENSIONS ARE AFTER PLATING. 3) BREAK CORNERS & EDGES .005 R. MAX. 4) CHAM. 1ST & LAST THREADS. 5) SURFACE ROUGHNESS 63-MIL-STD-10. 6) DIA: 'S ON COMMON CENTERS TO BE CONCENTRIC WITHIN .005 T.I.R. 7) REMOVE ALL BURRS	TITLE:
SURFACE AREA:	N/A	DECIMAL: X $\pm .030$.XX $\pm .010$.XXX $\pm .005$	INTERPRET DIMENSIONS AND TOLERANCES PER ASME Y14.5M - 1994	VITA 67.3 BACKPLANE MODULE C, 19 PORT, SMPS
PROPRIETARY		THIRD ANGLE PROJECTION	DRAWN: JPM 09/02/21	SIZE DWG. NO. 9321-80036
THE INFORMATION CONTAINED IN THIS DRAWING IS THE SOLE PROPERTY OF SV MICROWAVE, INC. ANY REPRODUCTION IN PART OR AS A WHOLE WITHOUT THE WRITTEN PERMISSION OF SV MICROWAVE, INC IS PROHIBITED.			CHECKED: SEE PDM	SCALE: 4:1
			APPROVED: SEE PDM	SHEET 1 OF 2


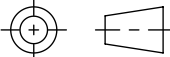
CUI BASIC

REVISION HISTORY			
REV	DESCRIPTION	DATE	APPROVED
	SEE SHEET 1		SEE PDM



RECOMMENDED PCB CUTOUT

CONNECTOR LOCATION ON BACKPLANE PCB	
POSITION	DIM 'X'
J2	2.385" [60.58]
J3	3.942" [100.13]
J4	5.276" [134.00]
J5	6.409" [162.80]
J6	7.557" [191.95]

MATERIAL: SEE NOTES	DIMENSIONS ARE IN INCHES TOLERANCES: FRACTIONAL: $\pm 1/64$ ANGULAR: X° $\pm 1'0"$ X°X' $\pm 15'$	UNLESS OTHERWISE SPECIFIED 1) ALL DIMENSIONS ARE IN INCHES (MILLIMETERS) 2) ALL DIMENSIONS ARE AFTER PLATING. 3) BREAK CORNERS & EDGES .005 R. MAX. 4) CHAM. 1ST & LAST THREADS. 5) SURFACE ROUGHNESS 63-MIL-STD-10. 6) DIA: 'S' ON COMMON CENTERS TO BE CONCENTRIC WITHIN .004 T.I.R. 7) REMOVE ALL BURRS	 www.svmicrowave.com
FINISH: SEE NOTES	DECIMAL: X $\pm .030$.XX $\pm .010$.XXX $\pm .005$		
SURFACE AREA: N/A	INTERPRET DIMENSIONS AND TOLERANCES PER ASME Y14.5M - 1994		TITLE: VITA 67.3 BACKPLANE MODULE C, 19 PORT, SMPS
PROPRIETARY THE INFORMATION CONTAINED IN THIS DRAWING IS THE SOLE PROPERTY OF SV MICROWAVE, INC. ANY REPRODUCTION IN PART OR AS A WHOLE WITHOUT THE WRITTEN PERMISSION OF SV MICROWAVE, INC IS PROHIBITED.	THIRD ANGLE PROJECTION 	DRAWN: JPM 09/02/21 CHECKED: SEE PDM APPROVED: SEE PDM	SIZE DWG. NO. B 9321-80036
		SCALE: 4:1	SHEET 2 OF 2