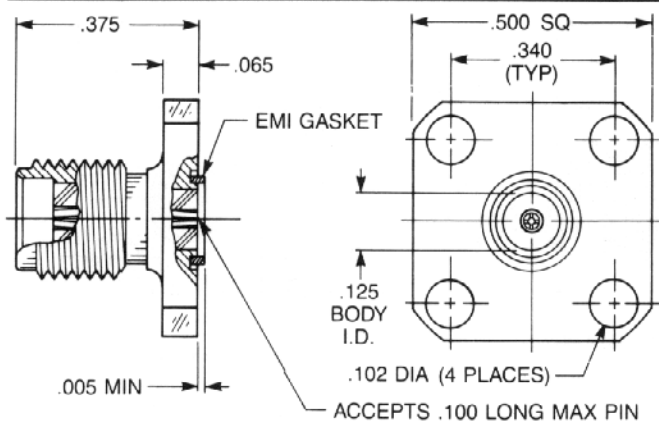




# HERMETIC SEAL LAUNCHERS

## FOR .015" DIAMETER PINS



### Straight Jack 1/2" Square Flange

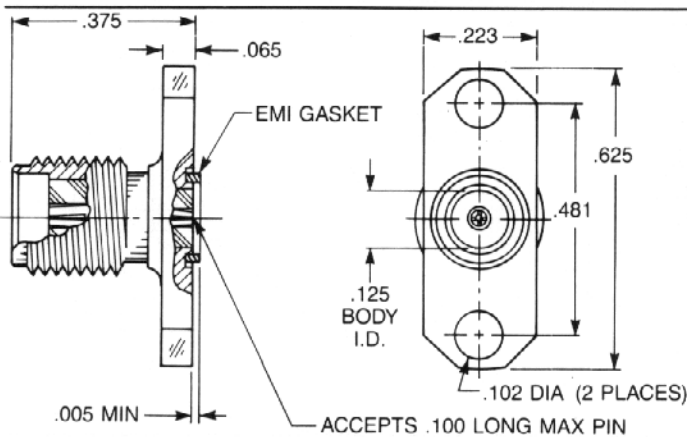
9045-9513-001

Optional packaging:

9145-9513-001 (Includes 920-82)

9245-9513-001 (Includes 920-82 and 907-111-5)

9345-9513-001 (Includes 907-111-5)



### Straight Jack 2-Hole Flange

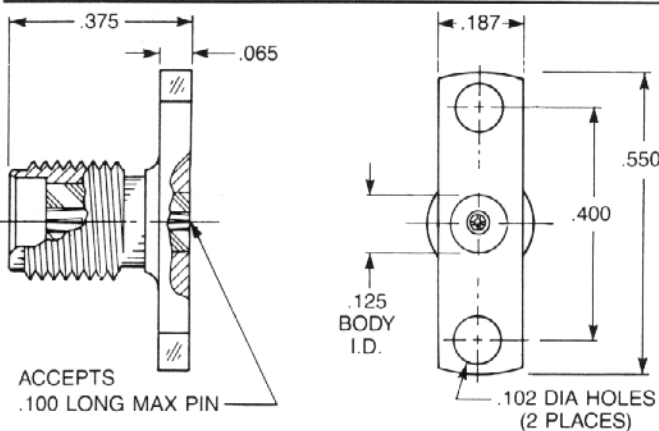
9044-9513-001

Optional packaging:

9144-9513-001 (Includes 920-82)

9244-9513-001 (Includes 920-82 and 907-111-5)

9344-9513-001 (Includes 907-111-5)



### Straight Jack Narrow 2-Hole Flange

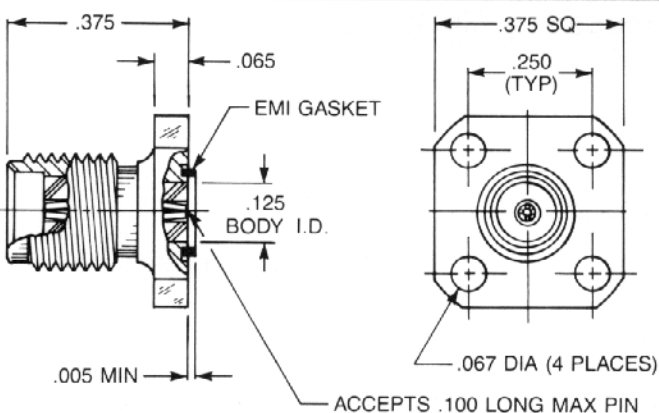
No EMI gasket  
9080-9513-001

Optional packaging:

9180-9513-001 (Includes 920-82)

9280-9513-001 (Includes 920-82 and 907-111-5)

9380-9513-001 (Includes 907-111-5)



### Straight Jack 3/8" Square Flange

9079-9513-001

Optional packaging:

9179-9513-001 (Includes 920-82)

9279-9513-001 (Includes 920-82 and 907-111-5)

9379-9513-001 (Includes 907-111-5)

These units accept pin diameters .014 to .016"

e-mail: [aepsales@aepconnectors.com](mailto:aepsales@aepconnectors.com)

AEP New Haven, CT  
203/776-2813

# HERMETIC SEAL LAUNCHERS



## FOR .015" DIAMETER PINS

### Straight Jack Rectangular Flange

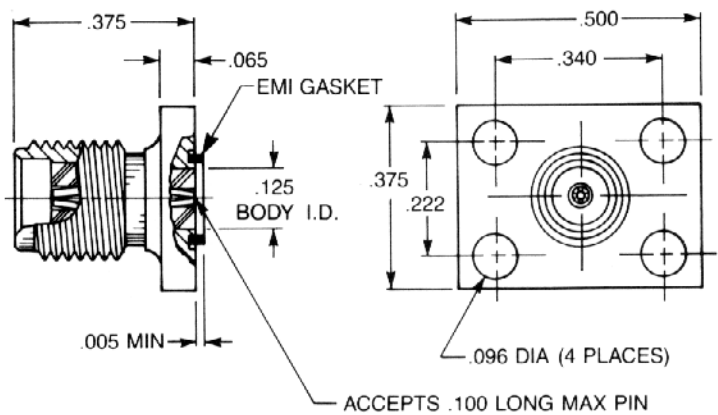
9062-9513-001

Optional packaging:

9162-9513-001 (Includes 920-82)

9262-9513-001 (Includes 920-82 and 907-111-5)

9362-9513-001 (Includes 907-111-5)



### Straight Plug 1/2" Square Flange

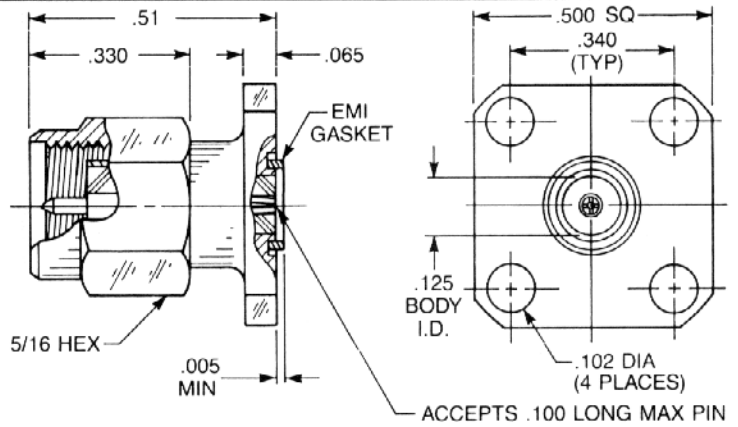
9047-9513-001

Optional packaging:

9147-9513-001 (Includes 920-82)

9247-9513-001 (Includes 920-82 and 907-111-5)

9347-9513-001 (Includes 907-111-5)



### Straight Plug 2-Hole Flange

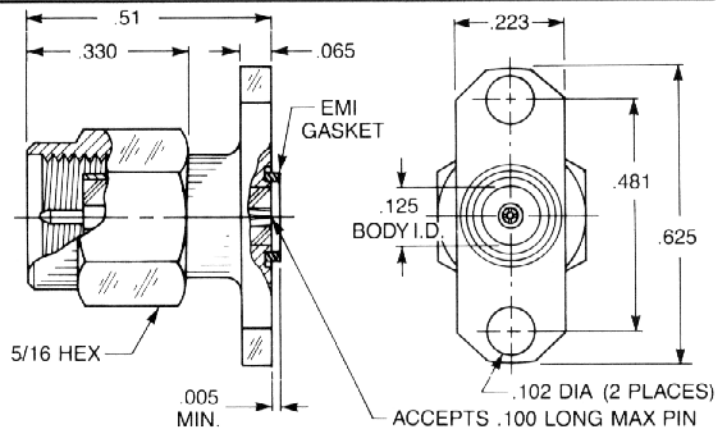
9046-9513-001

Optional packaging:

9146-9513-001 (Includes 920-82)

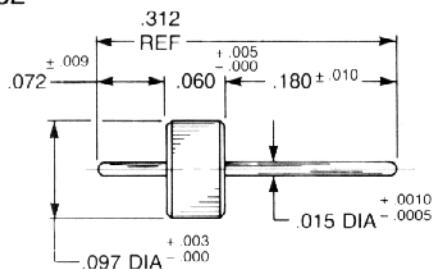
9246-9513-001 (Includes 920-82 and 907-111-5)

9346-9513-001 (Includes 907-111-5)



### Solder-In Hermetic Seal

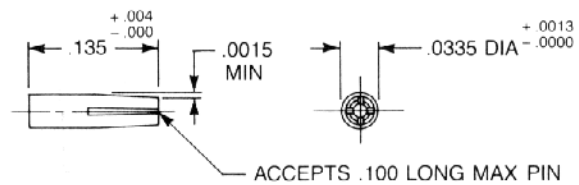
P/N 920-82



See page 45 for material and finish specifications and mounting dimensions.

### Accessory Contact

P/N 907-111-5



Material: Beryllium copper.  
Finish: Gold per MIL-G-45204, type II, class 1, grade C, over .0001 copper per MIL-C-14450.