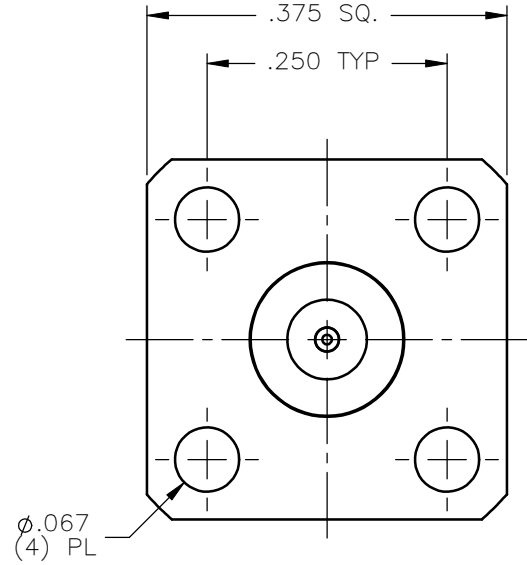
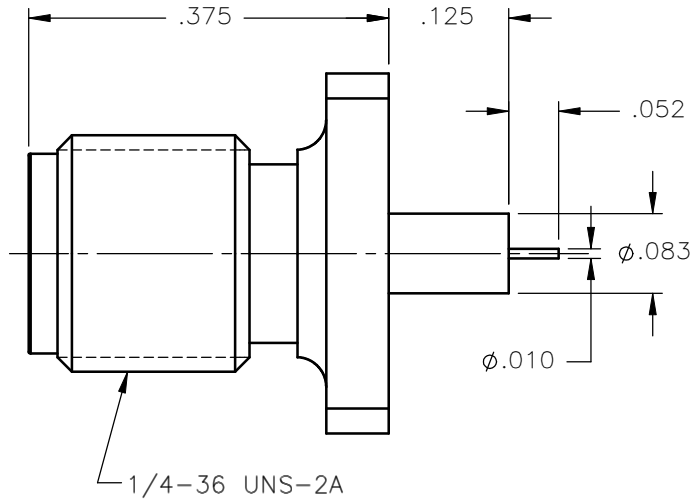


REVISIONS			
REV.	DESCRIPTION	DATE	APPROVED
A	INITIAL RELEASE	01/24/11	A.D.M.




NOTES:

MATERIALS:

1. BODY = STAINLESS STEEL PER ASTM A582, ALLOY 303, CONDITION "A".
2. INSULATOR = VIRGIN WHITE TEFLON PER ASTM D1710, GRADE 1, TYPE I, CLASS "B".
3. CONTACT = BERYLLIUM COPPER PER ASTM B196, ALLOY C17300, TEMPER TD04.

FINISHES:

1. BODY = PASSIVATE PER QQ-P-35, TYPE VI.
2. CONTACT = GOLD PLATE PER MIL-G-45204, TYPE II, CLASS 1, GRADE C, OVER .00010 TO .00020 STRESS FREE SULFAMATE NICKEL PER QQ-N-290.

UNLESS OTHERWISE SPECIFIED DIMENSIONS ARE IN INCHES TOLERANCES ON	DWN:	DATE	 Property of Radiall This document cannot be reproduced or communicated to a third party without prior written permission of RADIALL.				
	A.D.M.	01/24/11					
DECIMAL	ANGLE	CHKD:	DATE	SMA STRAIGHT JACK 3/8 SQUARE FLANGE MICROSTRIP RECEPTACLE			
		D.N.	01/24/11				
		APVD:	DATE				
		J.M.	01/24/11	SIZE	FSCM NO.	DWG NO.	REV
REFERENCE:	MATERIALS & FINISHES:		A	19505	9376-9113-001	A	
ORIGINATED: A.D.M. DATE: 01/24/11	SEE NOTES		SCALE 5:1	THIRD ANGLE PROJECTION		SHEET 1 OF 1	

9376-9113-001