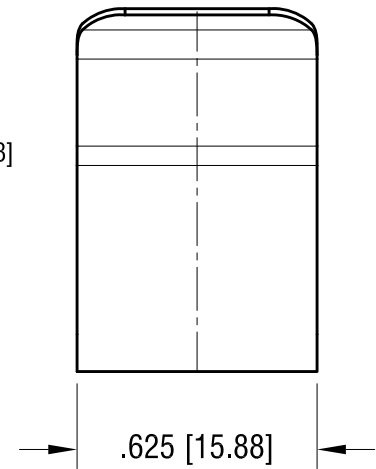
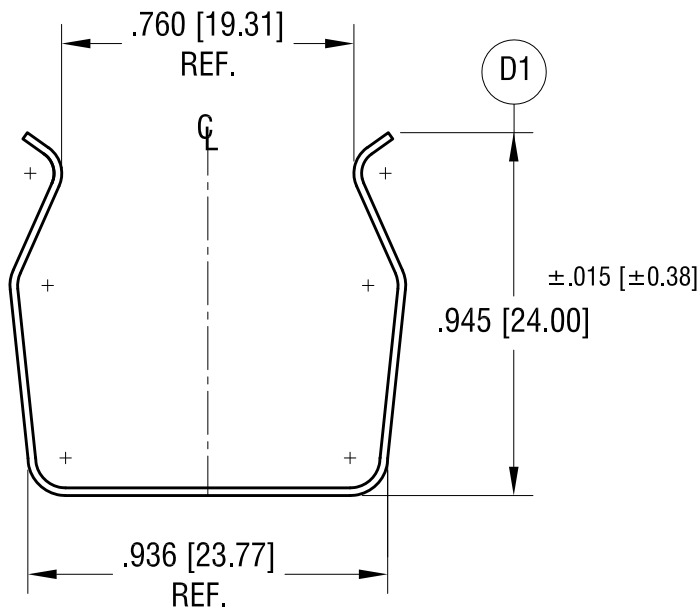
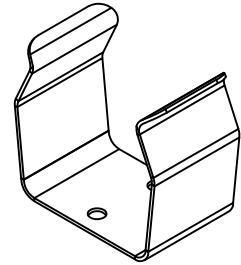
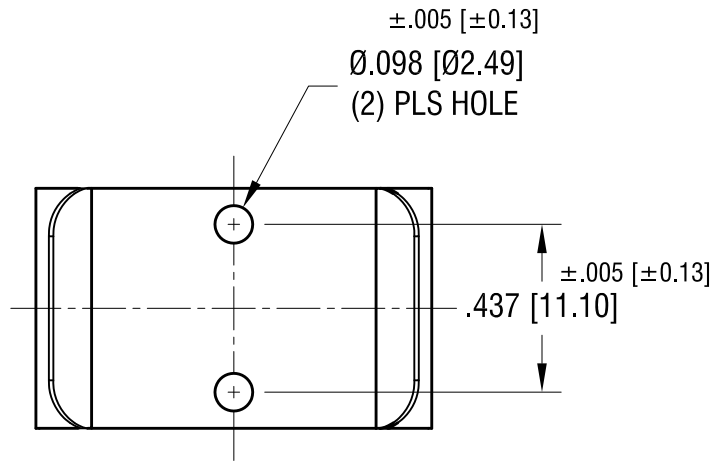


THIS DOCUMENT IS THE PROPERTY OF
KEYSTONE ELECTRONICS CORP. AND
SHALL NOT BE REPRODUCED, DISTRIBUTED
OR USED AS A BASIS FOR MANUFACTURE
WITHOUT PRIOR WRITTEN PERMISSION
FROM KEYSTONE ELECTRONICS CORP.

ACTUAL SIZE



12.02.20	ECN 20-094, (D1) WAS .937±.015	D
2.22.02	CHANGED AS PER ECN 02-017	C
10.16.98	CHANGE AS PER ECR 98-073	B
10.3.97	ECR 97-048 MAT'L WAS .025	A
DATE	DESCRIPTION	REV.

KEYSTONE ELECTRONICS CORP.			
www.keyelco.com • NEW HYDE PARK, NY 11040 • Tel (516) 328-7500			
PART NAME		'C' CELL CLIP	
MATERIAL			
.020 TH'K 2024-T3 ALUMINUM			
FINISH		DRN BY	DATE
NONE		BOONE	11.2.81
		APP'D	SCALE
		LN	2X
TOLERANCES	INCH [MM]	CODE	DWG NO.
DECIMAL	±.010 [±0.25]	C	93
ANGULAR	± 1°		
UNLESS OTHERWISE SPECIFIED			