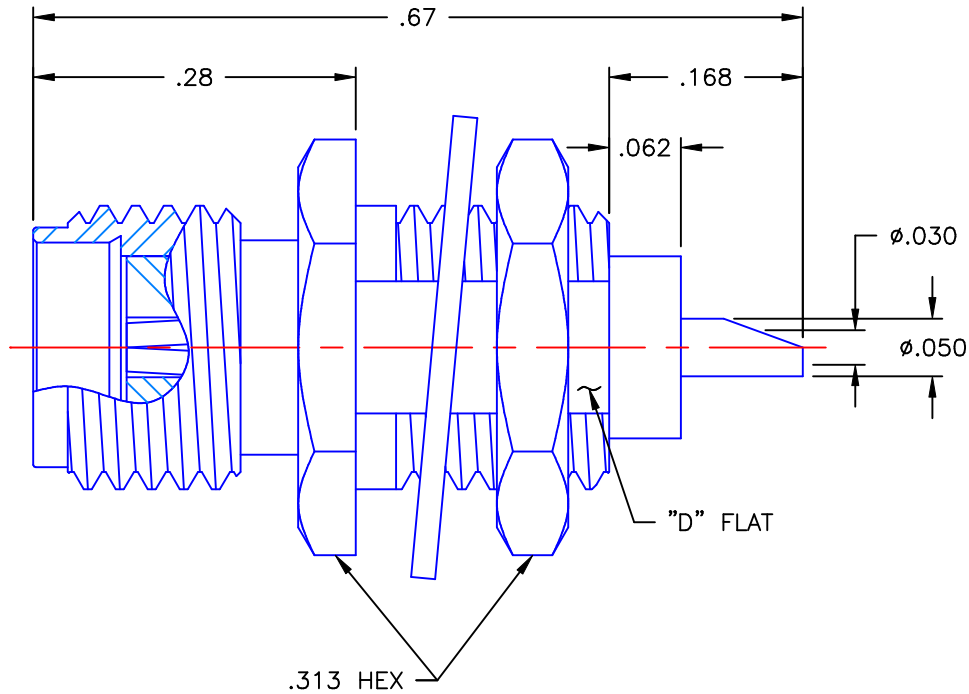


| REVISIONS | | | |
|-----------|-----------------|----------|----------|
| REV | DESCRIPTION | DATE | APPROVED |
| A | INITIAL RELEASE | 10/17/11 | J.S. |





NOTES:

MATERIALS:

1. BODY & NUT = STAINLESS STEEL PER ASTM A582, ALLOY 303, CONDITION "A".
2. INSULATOR = VIRGIN WHITE TEFLON PER ASTM D1710, GRADE 1, TYPE I, CLASS "B".
3. CONTACT = BERYLLIUM COPPER PER ASTM B196, ALLOY C17300, TEMPER TD04.
4. LOCKWASHER = PHOSPHOR BRONZE PER ASTM B139, COPPER ALLOY C53400, TEMPER H04.

FINISHES:

1. CONTACT = GOLD PLATE PER MIL-G-45204, TYPE II, CLASS 1, GRADE C, OVER .00010 TO .00020 STRESS FREE SULFAMATE NICKEL PER QQ-N-290.
2. BODY AND NUT = GOLD PLATE PER MIL-G-45204, TYPE II, CLASS 0, GRADE C, OVER .000050 TO .00010 STRESS FREE NICKEL PER QQ-N-290.
3. LOCKWASHER = GOLD PLATE PER MIL-G-45204, TYPE II, CLASS 0, GRADE C, OVER .00010 TO .00020 COPPER STRIKE PER MIL-C-14550.

| | | | | | | | |
|---|-------|--|----------------|---|------------------------|-------------------------|---|
| UNLESS OTHERWISE SPECIFIED DIMENSIONS ARE IN INCHES TOLERANCES ON | | DWN: J.S. | DATE: 10/17/11 |  a RADIALL company | Property of Radiall | |  |
| | | This document cannot be reproduced or communicated to a third party without prior written permission of RADIALL. | | | | | |
| DECIMAL | ANGLE | CHKD: D.N. | DATE: 10/17/11 | SMA STRAIGHT JACK BULKHEAD FRONT MOUNT SOLDER POT CONTACT | | | |
| | | APVD: J.M. | DATE: 10/17/11 | | | | |
| REFERENCE: | | MATERIALS & FINISHES: SEE NOTES | | SIZE: A | FSCM NO.: 19505 | DWG. NO.: 9422-1113-000 | REV: A |
| ORIGINATOR: J.S. DATE: 10/17/11 | | | | SCALE: 6:1 | THIRD ANGLE PROJECTION | | SHEET 1 OF 1 |

9422-1113-000