

Straight Plug

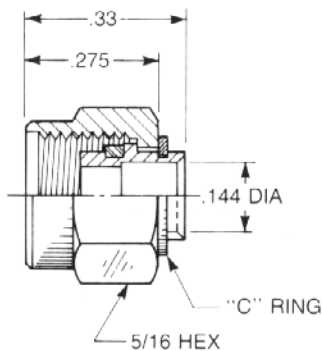
- Direct solder attachment
- Retractable coupling nut
- Cable center conductor used as contact

For .141" semi-rigid:

9301-1063-009 (Gold plated)

9301-7063-009 (Nickel plated)

QPL version available (M39012/92)



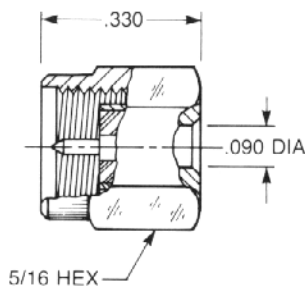
Straight Plug

- Direct solder attachment
- Retractable coupling nut
- Cable center conductor used as contact
- Stepped body for use in applications requiring frequent mating and unmating

For .141" semi rigid:

9301-1063-109 (Gold plated)

9301-7063-109 (Nickel plated)



Straight Plug

- Direct solder attachment
- Provided with contact and insulator
- Noncaptive contact
- Short body length allows very tight cable bend in dense packaging applications

For .085" semi-rigid:

9401-1083-210 (Gold plated)

9401-7083-210 (Nickel plated)

Straight Plug

- Direct solder attachment
- Provided with contact and insulator
- Noncaptive contact

For .085" semi-rigid (A = .089):

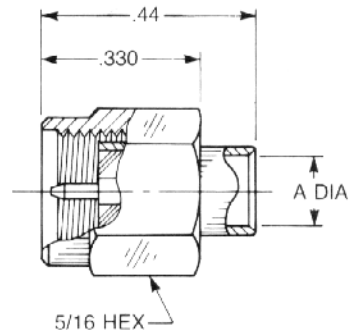
9401-1083-010 (Gold plated)

9401-7083-010 (Nickel plated)

For .141" semi-rigid (A = .144):

9401-1083-109 (Gold plated)

9401-7083-109 (Nickel plated)



Straight Plug

- Direct solder attachment
- Provided with contact and insulator
- Captive contact for one-step cable assembly

For .085" semi-rigid (A = .089):

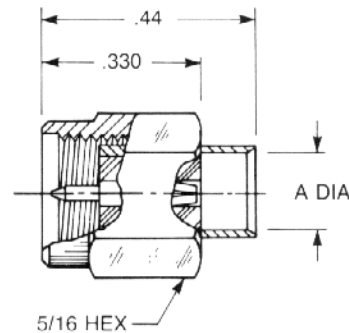
9401-1583-010 (Gold plated)

9401-7583-010 (Nickel plated)

For .141" semi-rigid (A = .144):

9401-1583-109 (Gold plated)

9401-7583-109 (Nickel plated)



Straight Plug

- Solder-clamp attachment
- Captive contact

For .085" semi-rigid:

9501-1593-010 (Gold plated)

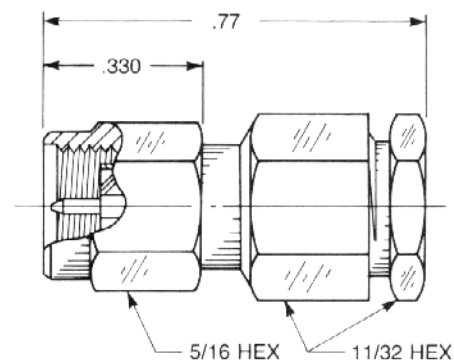
9501-9593-010 (Passivated)

For .141" semi-rigid:

9501-1593-009 (Gold plated)

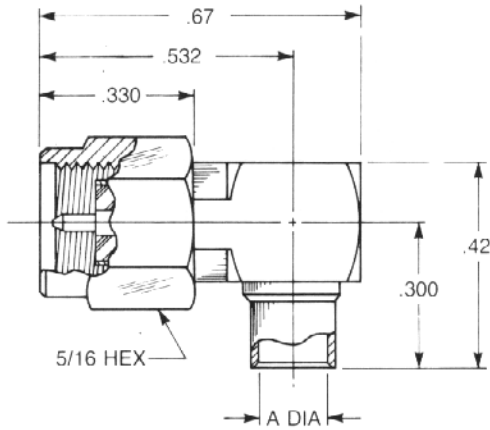
9501-9593-009 (Passivated)

QPL version available (M39012/79)



Right Angle Plug

- Direct solder attachment

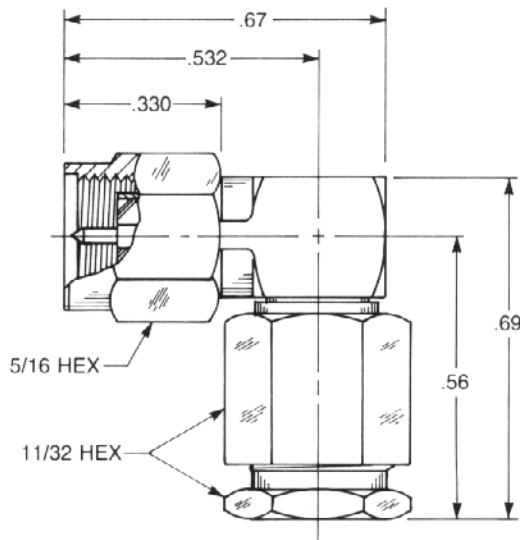


For .085" semi-rigid (A = .089):
9443-1563-010 (Gold plated)
9443-7563-010 (Nickel plated)

For .141" semi-rigid (A = .144):
9443-1563-009 (Gold plated)
9443-7563-009 (Nickel plated)

Right Angle Plug

- Solder-clamp attachment



For .085" semi-rigid:
9543-1593-010 (Gold plated)
9543-9593-010 (Passivated)

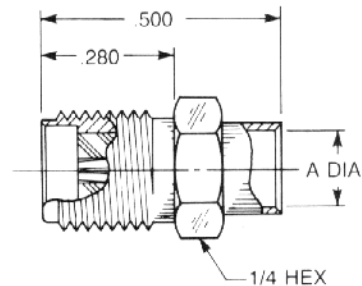
For .141" semi-rigid:
9543-1593-009 (Gold plated)
9543-9593-009 (Passivated)

Straight Jack

- Direct solder attachment
- Noncaptive contact

For .085" semi-rigid (A = .089):
9402-1083-010 (Gold plated)
9402-7083-010 (Nickel plated)

For .141" semi rigid (A = .144):
9402-1083-009 (Gold plated)
9402-7083-009 (Nickel plated)

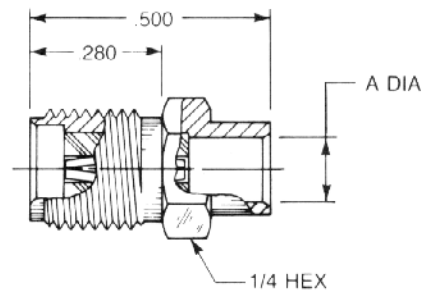


Straight Jack

- Direct solder attachment
- Captive contact for one-step cable assembly

For .085" semi-rigid (A = .089):
9402-1583-010 (Gold plated)
9402-7583-010 (Nickel plated)

For .141" semi-rigid (A = .144):
9402-1583-009 (Gold plated)
9402-7583-009 (Nickel plated)

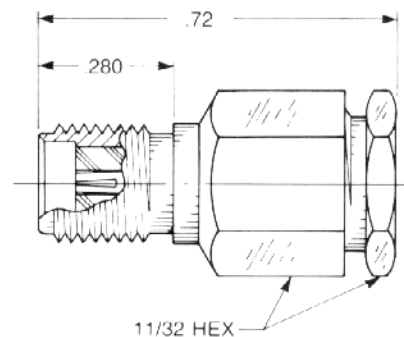


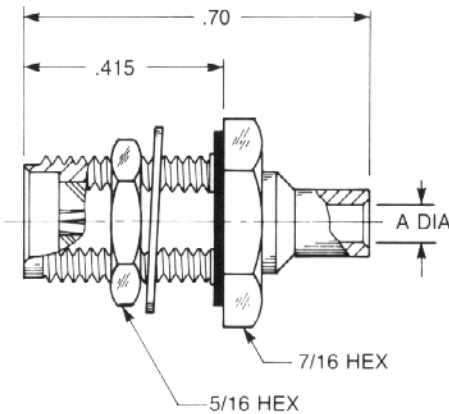
Straight Jack

- Solder-clamp attachment
- Captive contact

For .085" semi-rigid:
9502-1593-010 (Gold plated)
9502-9593-010 (Passivated)

For .141" semi-rigid:
9502-1593-009 (Gold plated)
9502-9593-009 (Passivated)




Straight Bulkhead Jack

- Direct solder attachment
- With mounting gasket
- Noncaptive contact

For .085" semi-rigid (A = .089)

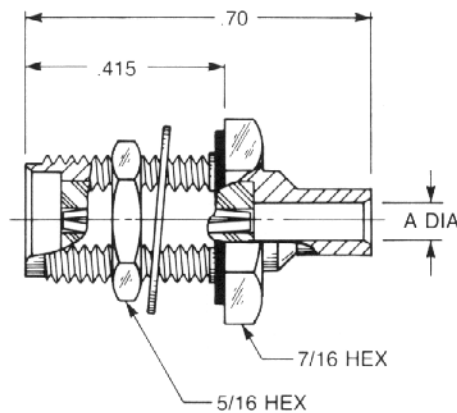
9453-1083-010 (Gold plated)

9453-7083-010 (Nickel plated)

For .141" semi-rigid (A = .144):

9453-1083-009 (Gold plated)

9453-7083-009 (Nickel plated)


Straight Bulkhead Jack

- Direct solder attachment
- With mounting gasket
- Captive contact for one-step cable assembly

For .085" semi-rigid (A = .089):

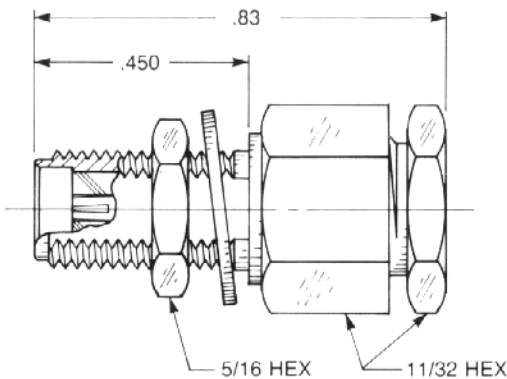
9453-1583-010 (Gold plated)

9453-7583-010 (Nickel plated)

For .141" semi-rigid (A = .144):

9453-1583-009 (Gold plated)

9453-7583-009 (Nickel plated)


Straight Bulkhead Jack

- Solder-clamp attachment
- Captive contact

For .085" semi-rigid:

9530-1593-010 (Gold plated)

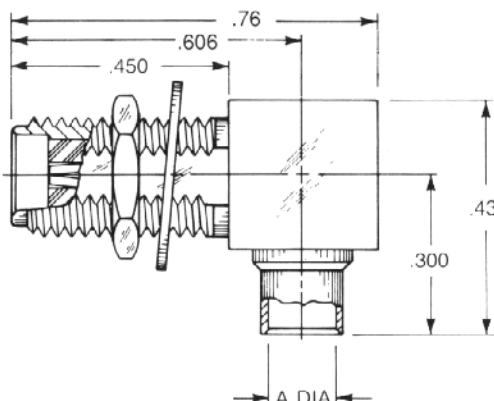
9530-9593-010 (Passivated)

For .141" semi-rigid:

9530-1593-009 (Gold plated)

9530-9593-009 (Passivated)

QPL version available (M39012/83)


Right Angle Bulkhead Jack

- Direct solder attachment

For .085" semi-rigid (A = .089):

9613-1563-010 (Gold plated)

9613-7563-010 (Nickel plated)

For .141" semi-rigid (A = .144):

9613-1563-009 (Gold plated)

9613-7563-009 (Nickel plated)