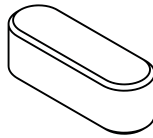
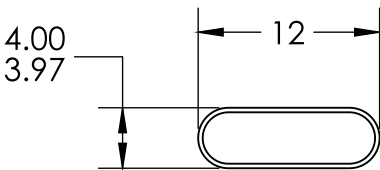


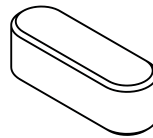
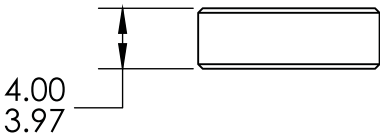
KEYS FOR USE WITH FUNCTIONAL SAFETY ENCODER

FOR SIL 3 ENCODERS DSM5, DST5, DSK5, AND DSM9

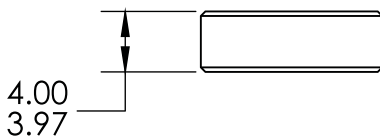
DIMENSIONS

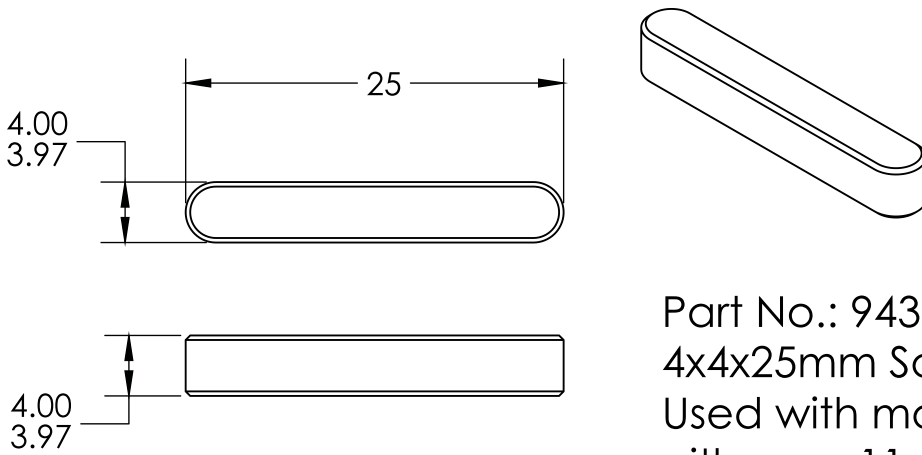


Part No.: 9435/006
 4x4x12mm Square Key
 Used with model DSM5 and
 a 10 mm diameter shaft



Part No.: 9435/009
 4X4X8mm Square Key
 Used with model DST5
 with the /OM/ mechanical
 option and a 14 mm bore,
 or the model DSK5 with a
 bore from 9.52 - 14 mm





Part No.: 9435/001
 4x4x25mm Square Key
 Used with model DSM9 and
 either an 11mm or 12mm shaft

Notes: (Unless otherwise indicated)

1. Type A, 4 x 4 x "L" square key
2. Material: 300 Series Stainless Steel

THESE KEYS HAVE BEEN CHOSEN AND TESTED TO WORK WITH THE DSM5, DSM9, AND DST5 SERIES OF FUNCTIONAL SAFETY ENCODERS. THEY ARE SUPPLIED WITH THE ENCODER IF YOU USE THE ORDERING CODE CS, AS IT IS DESIGNATED IN THE MODEL ORDERING BOX AT THE END OF THE MODEL NUMBER.

IF THE KEY BECOMES DAMAGED, OR LOST AND YOU WISH TO ORDER A REPLACEMENT, USE THE PART NUMBER SHOWN IN THE DRAWING.

ALWAYS USE THE SPECIFIED PART AS IT HAS BEEN TESTED ALONG WITH THE ENCODER FOR THE SIL 3 RATING. DO NOT SUBSTITUTE KEYS THAT HAVE NOT BEEN CERTIFIED FOR USE WITH THIS FUNCTIONAL SAFETY PRODUCT.

Sensata Technologies, Inc. ("Sensata") data sheets are solely intended to assist designers ("Buyers") who are developing systems that incorporate Sensata products (also referred to herein as "components"). Buyer understands and agrees that Buyer remains responsible for using its independent analysis, evaluation and judgment in designing Buyer's systems and products. Sensata data sheets have been created using standard laboratory conditions and engineering practices. Sensata has not conducted any testing other than that specifically described in the published documentation for a particular data sheet. Sensata may make corrections, enhancements, improvements and other changes to its data sheets or components without notice.

Buyers are authorized to use Sensata data sheets with the Sensata component(s) identified in each particular data sheet. HOWEVER, NO OTHER LICENSE, EXPRESS OR IMPLIED, BY ESTOPPEL OR OTHERWISE TO ANY OTHER SENSATA INTELLECTUAL PROPERTY RIGHT, AND NO LICENSE TO ANY THIRD PARTY TECHNOLOGY OR INTELLECTUAL PROPERTY RIGHT, IS GRANTED HEREIN. SENSATA DATA SHEETS ARE PROVIDED "AS IS". SENSATA MAKES NO WARRANTIES OR REPRESENTATIONS WITH REGARD TO THE DATA SHEETS OR USE OF THE DATA SHEETS, EXPRESS, IMPLIED OR STATUTORY, INCLUDING ACCURACY OR COMPLETENESS. SENSATA DISCLAIMS ANY WARRANTY OF TITLE AND ANY IMPLIED WARRANTIES OF MERCHANTABILITY, FITNESS FOR A PARTICULAR PURPOSE, QUIET ENJOYMENT, QUIET POSSESSION, AND NON-INFRINGEMENT OF ANY THIRD PARTY INTELLECTUAL PROPERTY RIGHTS WITH REGARD TO SENSATA DATA SHEETS OR USE THEREOF.

All products are sold subject to Sensata's terms and conditions of sale supplied at www.sensata.com SENSATA ASSUMES NO LIABILITY FOR APPLICATIONS ASSISTANCE OR THE DESIGN OF BUYERS' PRODUCTS. BUYER ACKNOWLEDGES AND AGREES THAT IT IS SOLELY RESPONSIBLE FOR COMPLIANCE WITH ALL LEGAL, REGULATORY AND SAFETY-RELATED REQUIREMENTS CONCERNING ITS PRODUCTS, AND ANY USE OF SENSATA COMPONENTS IN ITS APPLICATIONS, NOTWITHSTANDING ANY APPLICATIONS-RELATED INFORMATION OR SUPPORT THAT MAY BE PROVIDED BY SENSATA.

Mailing Address: Sensata Technologies, Inc., 529 Pleasant Street, Attleboro, MA 02703, USA.

CONTACT US

Americas

+1 (800) 350 2727 – Option 1
sales.beisensors@sensata.com
Europe, Middle East & Africa
 +33 (3) 88 20 8080
position-info.eu@sensata.com

Asia Pacific

sales.isasia@list.sensata.com
 China +86 (21) 2306 1500
 Japan +81 (45) 277 7117
 Korea +82 (31) 601 2004
 India +91 (80) 67920890
 Rest of Asia +886 (2) 27602006
 ext 2808