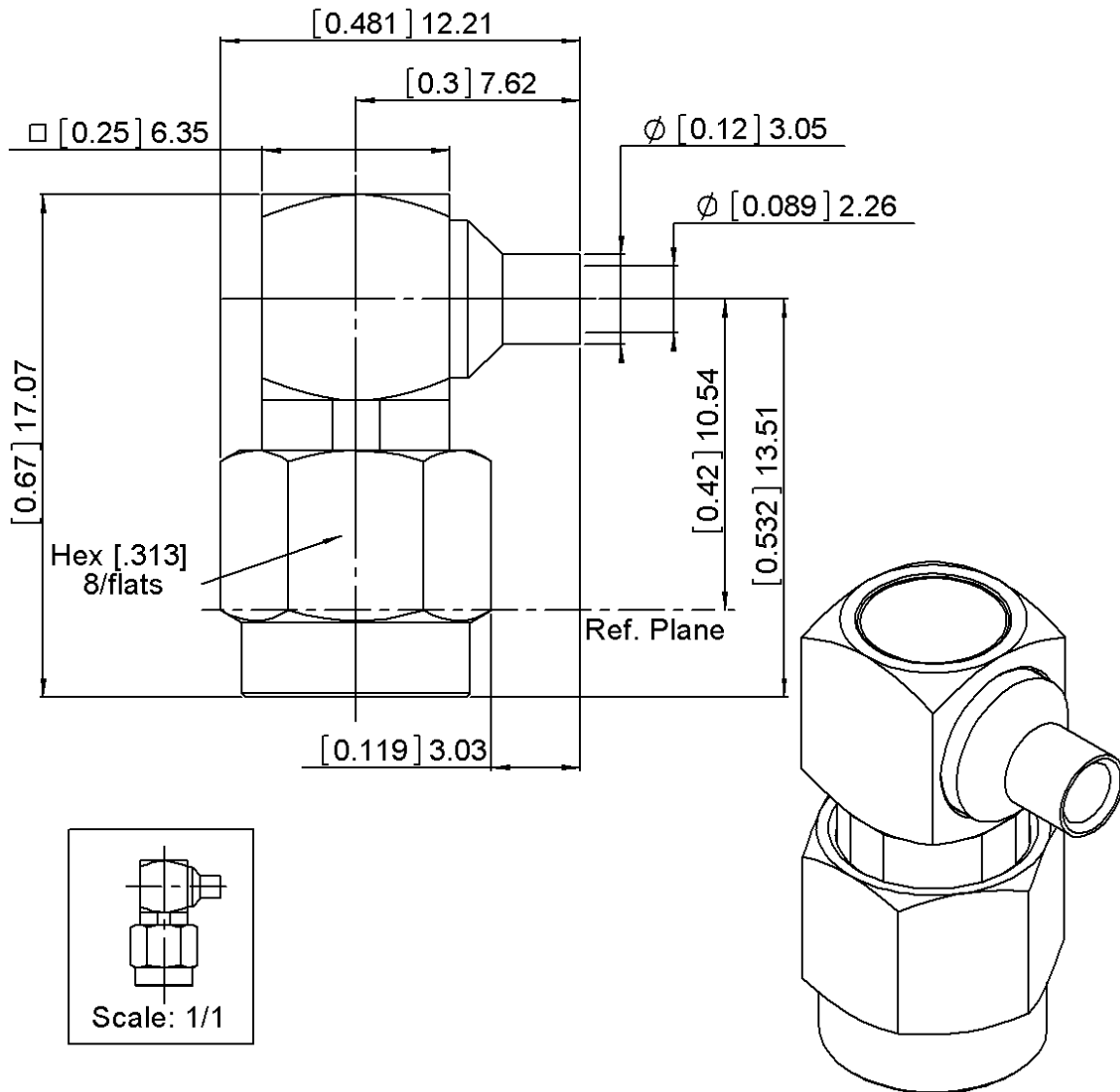


RIGHT ANGLE PLUG SOLDER TYPE

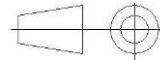
9443-1563-010

CABLE .085"

Series : SMA



All dimensions are in mm.



COMPONENTS	MATERIALS	PLATING (µm)
BODY	STAINLESS STEEL	GOLD 0.8 OVER NICKEL 1.3
CENTER CONTACT	BERYLLIUM COPPER	GOLD 1.3 OVER NICKEL 2
OUTER CONTACT		
INSULATOR	PTFE	
GASKET	SILICONE RUBBER	
OTHERS PARTS	BRASS	GOLD 0.8 OVER COPPER 2.54
-	-	-
-	-	-

Issue : 0949 B

In the effort to improve our products, we reserve the right to make changes judged to be necessary.



RIGHT ANGLE PLUG SOLDER TYPE

9443-1563-010

CABLE .085"

Series : SMA

PACKAGING

Standard	Unit	Other
	'W' option	Contact us

SPECIFICATION

ELECTRICAL CHARACTERISTICS

Impedance		50 Ω
Frequency		0-12.4 GHz
VSWR	1.10 +	0.0100 x F(GHz) Maxi
Insertion loss		0.05 √F(GHz) dB Maxi
RF leakage	- (90 - F(GHz)) dB Maxi
Voltage rating		335 Veff Maxi
Dielectric withstanding voltage		750 Veff mini
Insulation resistance		5000 MΩ mini

CABLE ASSEMBLY

Stripping	a	b	c	d	e	f
mm	0.00	0.00	0.00	0.00	0.00	0.00

Assembly instruction : **AIS-238-B104**

Recommended cable(s)
KS 1
RG 405

MECHANICAL CHARACTERISTICS

Center contact retention		
Axial force – Mating end		27 N mini
Axial force – Opposite end		27 N mini
Torque		2.8 N.cm mini

Characteristics indicated on this data sheet are those that can be achieved with the highest performance cable. Intrinsic limitations of the cable may diminish the performance of the assembly

Cable retention

- pull off	130 N mini
- torque	NA N.cm

TOOLING

Recommended torque		
Mating		100 N.cm
Panel nut		NA N.cm
Clamp nut		NA N.cm
A/F clamp nut		0.0000 mm

Part Number	Description	Hexagon
.	.	.

Mating life		500 Cycles mini
Weight		0.0000 g

OTHER CHARACTERISTICS

ENVIRONMENTAL

Operating temperature		-65/+105 °C
Hermetic seal		NA Atm.cm3/s
Panel leakage		NA

Issue : 0949 B

In the effort to improve our products, we reserve the right to make changes judged to be necessary.

