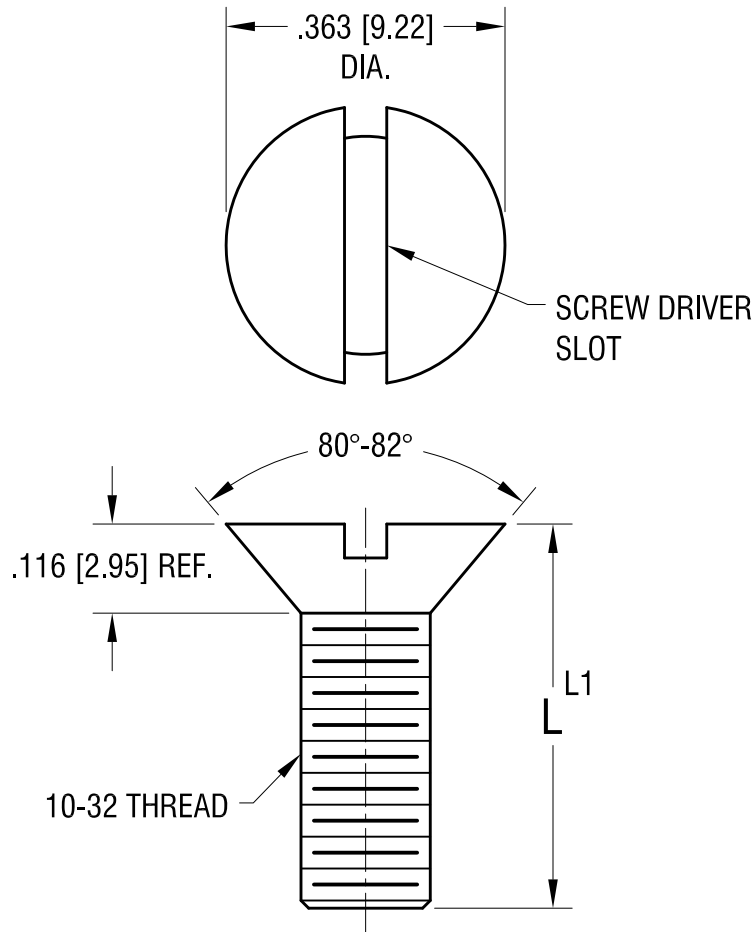


THIS DOCUMENT IS THE PROPERTY OF  
KEYSTONE ELECTRONICS CORP. AND  
SHALL NOT BE REPRODUCED, DISTRIBUTED  
OR USED AS A BASIS FOR MANUFACTURE  
WITHOUT PRIOR WRITTEN PERMISSION  
FROM KEYSTONE ELECTRONICS CORP.



PART NO.	'L' DIM.	'L1' TOL. +0.0
9523	.500 [12.70]	-.020 [-0.50]
9524	.750 [19.05]	-.030 [-0.76]
9525	1.000 [25.40]	
9526	1.500 [38.10]	-.060 [-1.52]

**KEYSTONE ELECTRONICS CORP.**

www.keyelco.com • ASTORIA, N.Y. 11105-2017 • Tel (718) 956-8900

PART NAME		10-32 FLAT HEAD SCREW	
MATERIAL		STEEL	
FINISH		DRN BY	DATE
ZINC PLATE		BOONE	3.1.04
		APP'D	SCALE
		LN	4X
TOLERANCES	INCH [MM]	CODE	DWG NO.
DECIMAL	± .023 [± 0.58]	C	9523-9526
ANGULAR	± 1°		
UNLESS OTHERWISE SPECIFIED			

DATE	DESCRIPTION	REV.