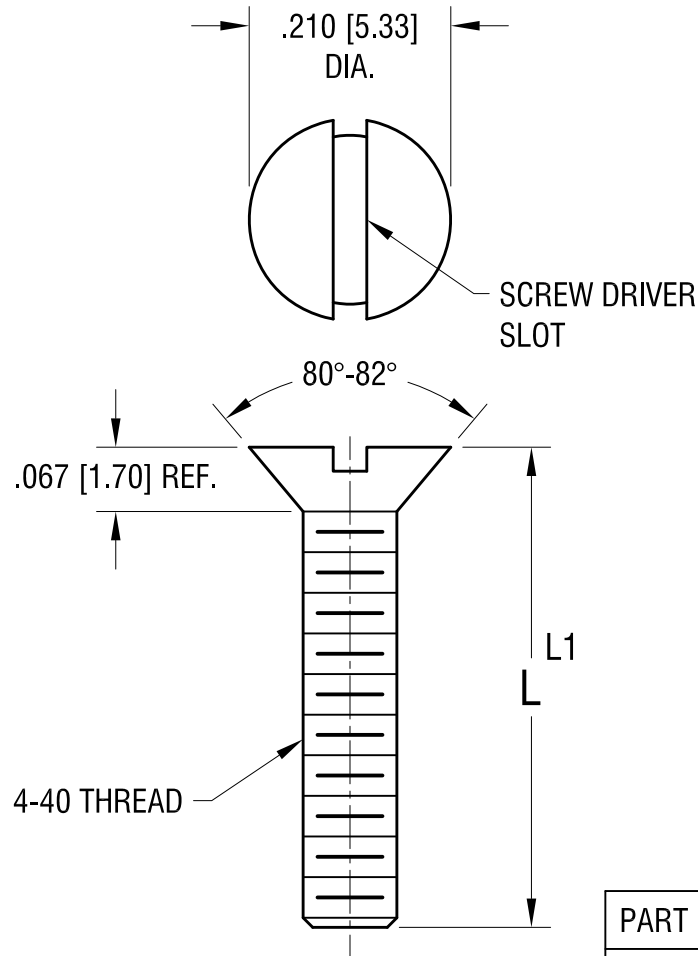


THIS DOCUMENT IS THE PROPERTY OF
KEYSTONE ELECTRONICS CORP. AND
SHALL NOT BE REPRODUCED, DISTRIBUTED
OR USED AS A BASIS FOR MANUFACTURE
WITHOUT PRIOR WRITTEN PERMISSION
FROM KEYSTONE ELECTRONICS CORP.

ACTUAL SIZE



P/N 9527



PART NO.	'L' DIM.	'L1' TOL. +0.0
9527	.250 [6.25]	
9528	.375 [9.53]	-.020 [-0.50]
9529	.500 [12.70]	
9530	.625 [15.88]	
9531	.750 [19.05]	-.030 [-0.76]
9532	1.000 [25.40]	

KEYSTONE ELECTRONICS CORP.

www.keyelco.com • NEW HYDE PARK NY 11040 • Tel (516)328-7500

PART NAME				4-40 FLAT HEAD SCREW			
MATERIAL				NYLON 6/6, V2			
FINISH			DRN BY		DATE		
NONE			BOONE		3.01.04		
			APP'D		SCALE		
			LN		5X		
TOLERANCES		INCH [MM]		CODE		DWG NO.	
DECIMAL		± .015 [± 0.38]		C		9527 - 9532	
ANGULAR		± 1°					
UNLESS OTHERWISE SPECIFIED							

DATE	DESCRIPTION	REV.
------	-------------	------