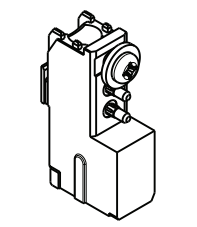


ZONE	REV	SCR NUMBER	DESCRIPTION	BY	DATE	APPROVED
ALL	A	DMAR-8EMMNB.VER01	NEW RELEASE	HCL-RP	05/03/2011	D.MANTER
	B	DSMH-8HFNPH.VER01	UPDATED GUIDE MODULE	HCL-VH	06/13/2011	D.SMITH
	C	MSPE-9B9JQS.VER01	CHANGED DIMENSIONS TO ONE DECIMAL	HCL-PG	09/10/2013	M.SPACONE

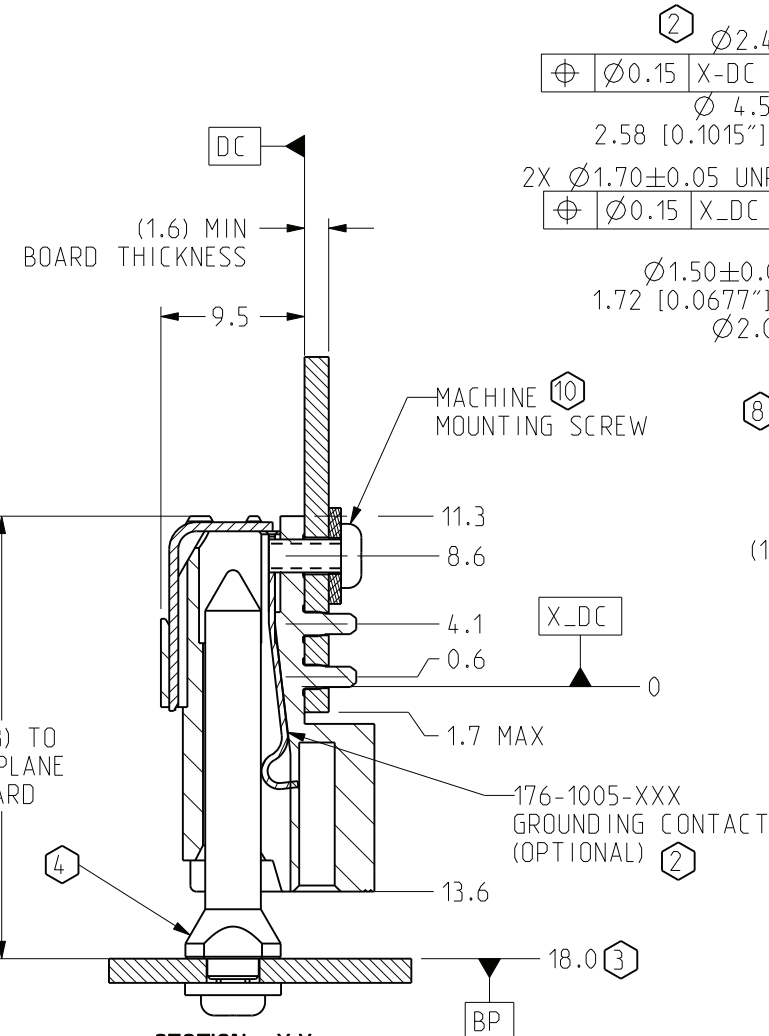
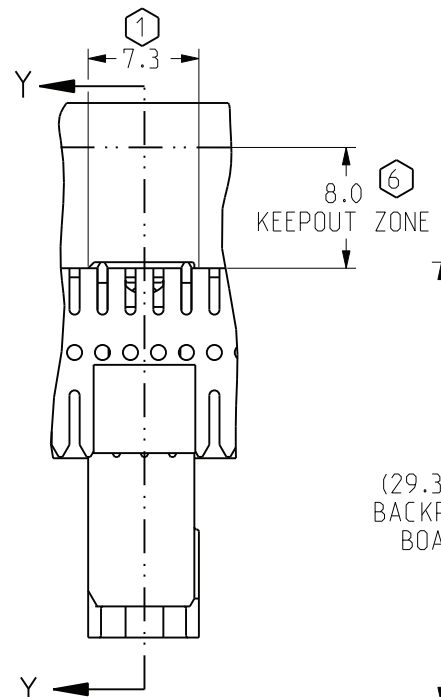
PART NUMBER NO GROUND-CONTACT	KEY_POSITION	PART NUMBER WITH GROUND-CONTACT	KEY_POSITION
960-201A-A0A	A	960-201A-A0B	A
960-201B-A0A	B	960-201B-A0B	B
960-201C-A0A	C	960-201C-A0B	C
960-201D-A0A	D	960-201D-A0B	D
960-201E-A0A	E	960-201E-A0B	E
960-201F-A0A	F	960-201F-A0B	F
960-201G-A0A	G	960-201G-A0B	G
960-201H-A0A	H	960-201H-A0B	H
960-201Y-A0A	NO KEY	960-201Y-A0B	NO KEY



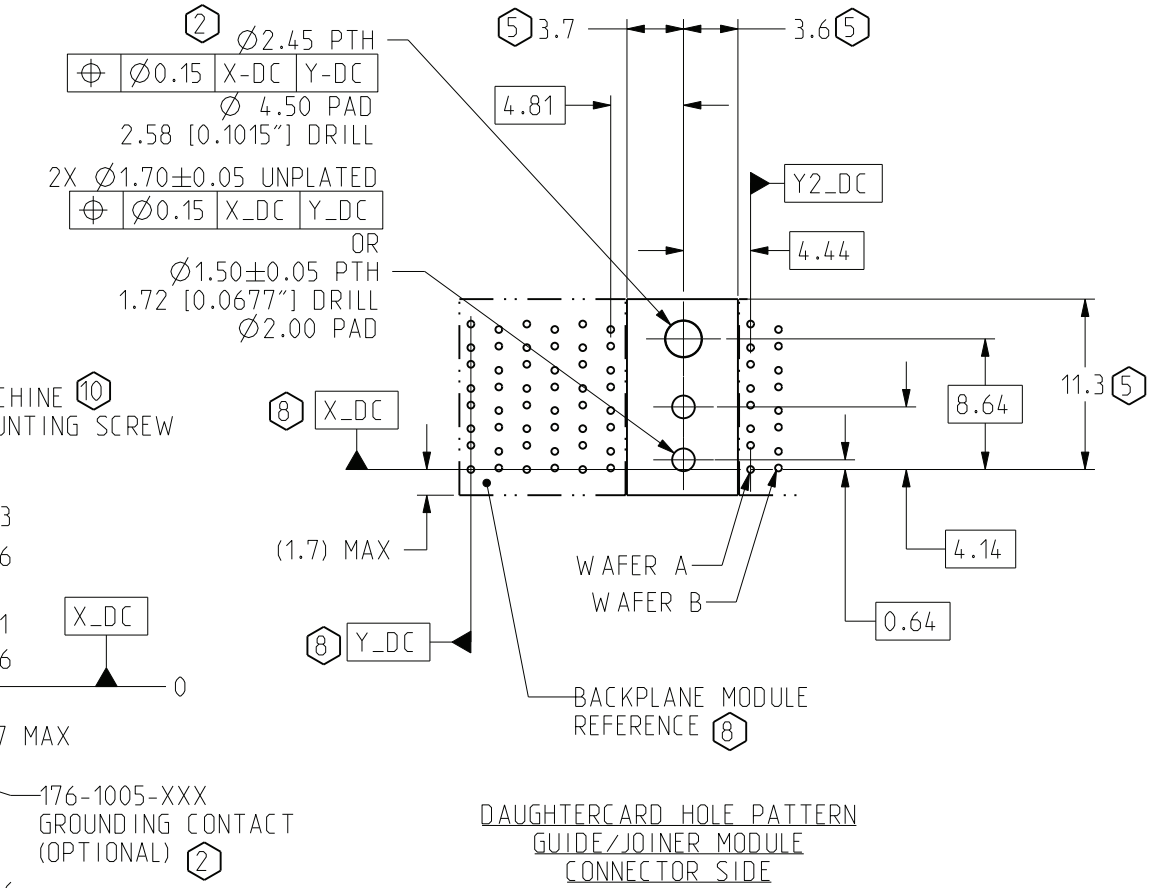
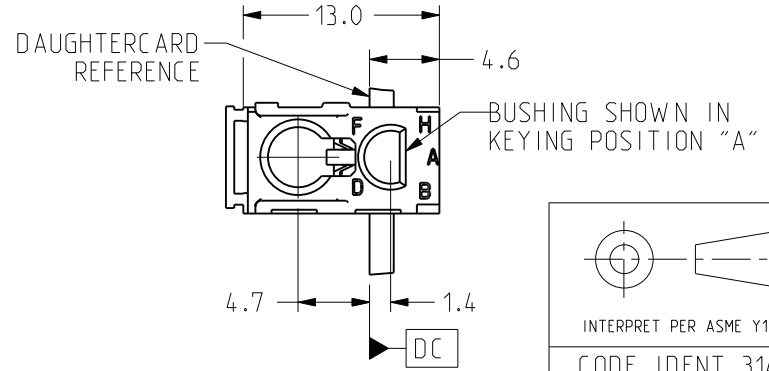
ISOMETRIC VIEW
SCALE 1/1

NOTES:

- ① USE 7.4 NOMINAL FOR DAUGHTERCARD LAYOUT.
- ② PLATED THROUGH HOLE TO CONNECT TO CHASSIS FOR FIRST MATE GROUND OPTION THROUGH GUIDE PIN, SEE TB-2149 FOR ROUTING GUIDELINES. USE UNPLATED THROUGH HOLE FOR UNGROUNDED MODULE.
- ③ NOMINAL DIMENSION FOR FULLY SEATED CONNECTOR.
- ④ FOR MATING GUIDE PIN DETAIL AND LOCATION, SEE: DRAWING C942-2000-500 FOR STANDALONE GUIDE PIN, OR DRAWING C942-2010-500 FOR MODULE MOUNTED GUIDE PIN.
- ⑤ NO SURFACE TRACES IN KEEPOUT ZONE.
- ⑥ FOR CONNECTOR REPAIRABILITY, REFER TO TB-2149 FOR KEEPOUT ZONE DIMENSIONS.
- 7. SEE TB-2211 FOR BOARD WEIGHT LIMITATIONS.
- ⑧ REFER TO C950-2X0A-500 FOR SIGNAL CONNECTOR DETAIL.
- 9. REFER TO TB-2150 FOR XCede PRODUCT SPECIFICATIONS.
- ⑩ SCREW LENGTH AND PART NUMBER ARE DEPENDENT ON DAUGHTERCARD THICKNESS (AS SPECIFIED FROM CONFIGURATOR).



SECTION Y-Y
SCALE 2/1



DAUGHTERCARD HOLE PATTERN
GUIDE/JOINER MODULE
CONNECTOR SIDE

TOLERANCES	DESIGN
0.0 ±0.25	09/01/2006 C.LEIGHTON
0.00 ±0.13	DRAWN 09/06/2007 LEIGHTON
0.000 ± -	CHK 09/06/2007 A.PFAHNL
ANGLES ± 3°	APVD 09/06/2007 D.MANTER

UNLESS OTHERWISE SPECIFIED DIMENSIONS ARE IN MM. DECIMAL MARKER IS A PERIOD

CUSTOMER USE
DRAWING

Amphenol TCS
A Division of Amphenol Corporation
200 Innovative Way, Nashua, NH 03062 603.879.3000

TITLE DAUGHTERCARD DIE CAST GUIDE MODULE
XCede 2 PAIR

PART NO. SEE TABLE REV N/A

DRAWING NO. C-960-201Y-500 REV C

ASSEM: Q1109-CONNECTOR2-GUIDED-CAST DRAWING: C960-201Y-500 2.4 C.O

SIZE B SCALE 2/1 SHEET 1 OF 1

DRW NO. C-960-201Y-500 SH 1 REV C