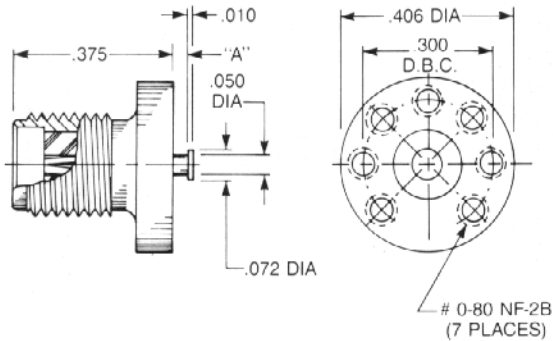


## Straight Surface Mount Jack Receptacle

- Standard flange
- Noncaptive contact

### Dim. A

.031	<b>9003-1213-001</b>	(Gold plated)
	<b>9003-9213-001</b>	(Passivated)
.063	<b>9003-1213-002</b>	(Gold plated)
	<b>9003-9213-002</b>	(Passivated)
.125	<b>9003-1213-003</b>	(Gold plated)
	<b>9003-9213-003</b>	(Passivated)

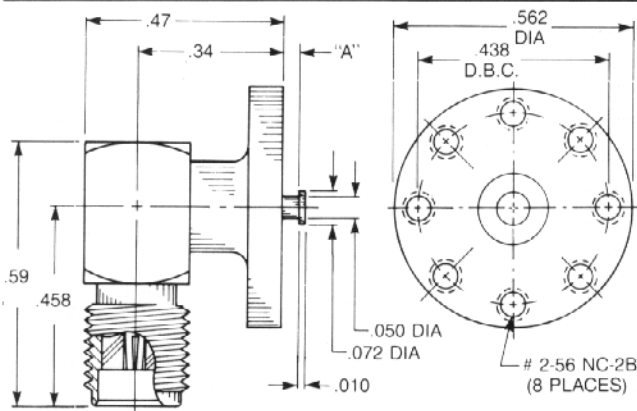


## Straight Surface Mount Jack Receptacle

- Small diameter flange
- Noncaptive contact

### Dim. A

.031	<b>9610-1213-001</b>	(Gold plated)
	<b>9610-9213-001</b>	(Passivated)
.063	<b>9610-1213-002</b>	(Gold plated)
	<b>9610-9213-002</b>	(Passivated)
.125	<b>9610-1213-003</b>	(Gold plated)
	<b>9610-9213-003</b>	(Passivated)

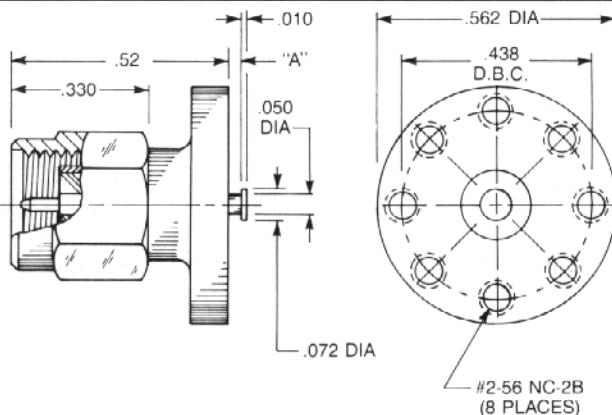


## Right Angle Surface Mount Jack Receptacle

- Standard flange
- Noncaptive rear contact

### Dim. A

.031	<b>9035-1513-001</b>	(Gold plated)
	<b>9035-9513-001</b>	(Passivated)
.063	<b>9035-1513-002</b>	(Gold plated)
	<b>9035-9513-002</b>	(Passivated)
.125	<b>9035-1513-003</b>	(Gold plated)
	<b>9035-9513-003</b>	(Passivated)



## Straight Surface Mount Plug Receptacle

- Standard flange
- Noncaptive contact

### Dim. A

.031	<b>9034-1213-001</b>	(Gold plated)
	<b>9034-9213-001</b>	(Passivated)
.063	<b>9034-1213-002</b>	(Gold plated)
	<b>9034-9213-002</b>	(Passivated)
.125	<b>9034-1213-003</b>	(Gold plated)
	<b>9034-9213-003</b>	(Passivated)

Connectors for use with other board thicknesses are available

e-mail: [aepsales@aepconnectors.com](mailto:aepsales@aepconnectors.com)

**AEP** New Haven, CT  
203/776-2813