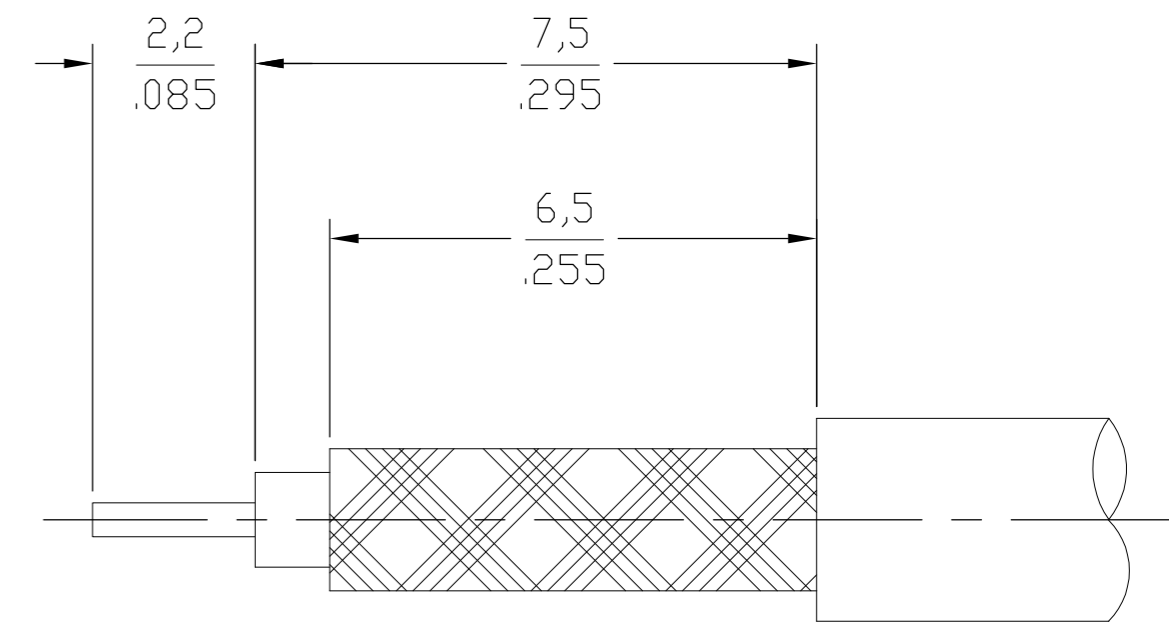
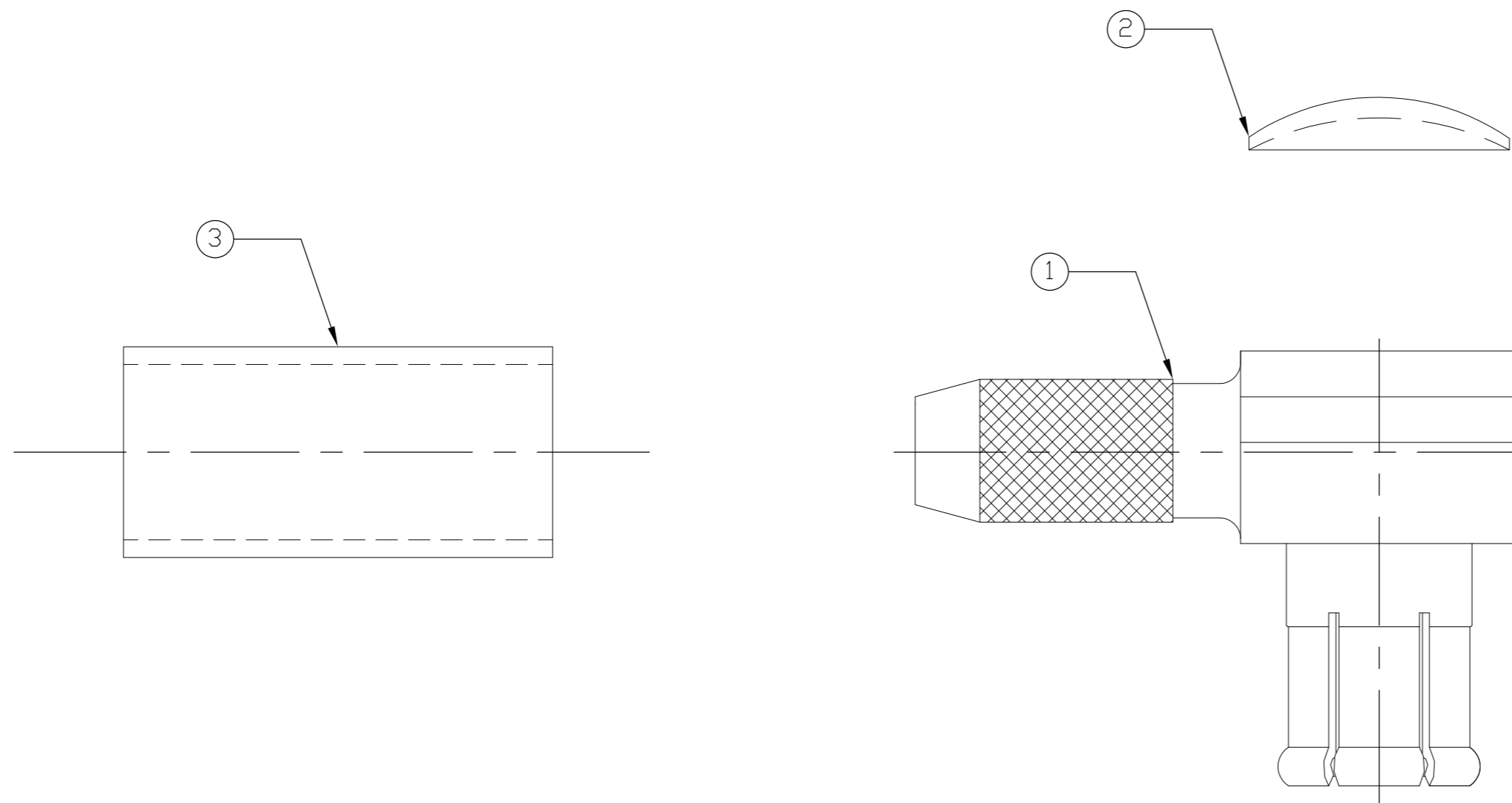


THIS DRAWING IS UNPUBLISHED. RELEASED FOR PUBLICATION  
 © COPYRIGHT BY TYCO ELECTRONICS CORPORATION. ALL RIGHTS RESERVED.

LOC		DIST		REVISIONS			
P	LTR	DESCRIPTION	DATE	DWN	APVD		
	B	REV PER ECO 08-007172	26MAR2008	DW	JL		



RECOMMENDED STRIP LENGTH

ELECTRICAL		MECHANICAL	
Nominal Impedance (Ohms)	75	Force to Engage (lbs MAX)	5.6
Frequency Range (GHz)	DC to 6	& Disengage (lbs)	1.8 MIN 4.5 MAX
Volt Rating (VRMS MAX)		Center Contact Captivation Designed to	Maintain DSX Interface When Mating
@ Sea Level	170		
VSWR	1.07 MAX @ 2.5 GHz		
	1.12 MAX @ 6 GHz		
Insertion Loss .1dB MAX/1000 MHz		ENVIRONMENTAL	
Corona, 70,000 Ft (VRMS MIN)	45	TEMPERATURE RATING	-65° TO +165°C
Dielectric Withstanding Voltage (VRMS MIN) @ Sea Level	500	Vibration	MIL-STD-202, Method 204, Condition D
Contact Resistance (Milliohms MAX)		Thermal Shock	MIL-STD-202, Method 102, Condition C
Center Contact	5.0	Moisture Resistance	MIL-STD-202, Method 106
Outer Contact	2.5	Corrosion - MIL-STD-202, Method	101, Condition B
Cable to Housing	1.0		
RF High Potential @ Sea Level (VRMS MIN @ 5 MHz)	670		
I.R.(Megohms MIN)	10,000		

RG179/U	2-413889-4	3-1403081-3	1408171-1	1362991-1
CABLE SIZE	FERRULE QTY=1 (3)	CAP QTY=1 (2)	PLUG ASSEMBLY QTY=1 (1)	PART NUMBER

THIS DRAWING IS A CONTROLLED DOCUMENT.		DWN	24NOV00	Tyco Electronics Corporation Harrisburg, PA 17105-3608	
DIMENSIONS: INCHES		CHK	24NOV00	NAME	
TOLERANCES UNLESS OTHERWISE SPECIFIED:		APVD	24NOV00	MCX RIGHT ANGLE CABLE PLUG CRIMP ATTACHMENT, 75 OHM	
0 PLC	± -	PRODUCT SPEC		SIZE	A2
1 PLC	± -	APPLICATION SPEC	408-8464	CAGE CODE	00779
2 PLC	± -	WEIGHT	-	DRAWING NO	C=1362991
3 PLC	± -	CUSTOMER DRAWING		SCALE	10:1
4 PLC	± -	RESTRICTED TO		SHEET	1 of 1
ANGLES	± -	REV	B		
FINISH	-				