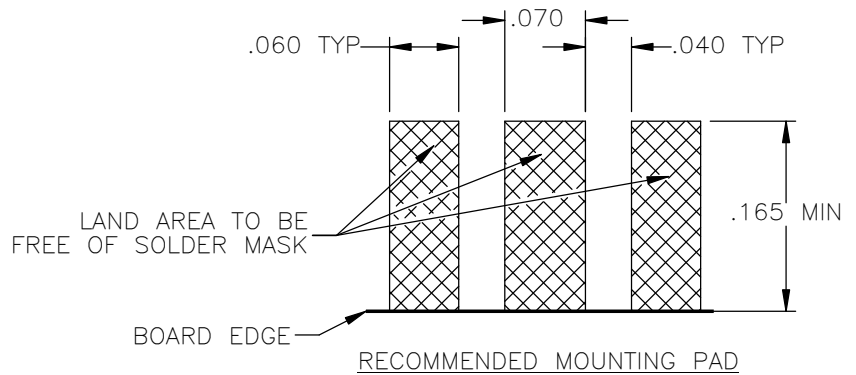
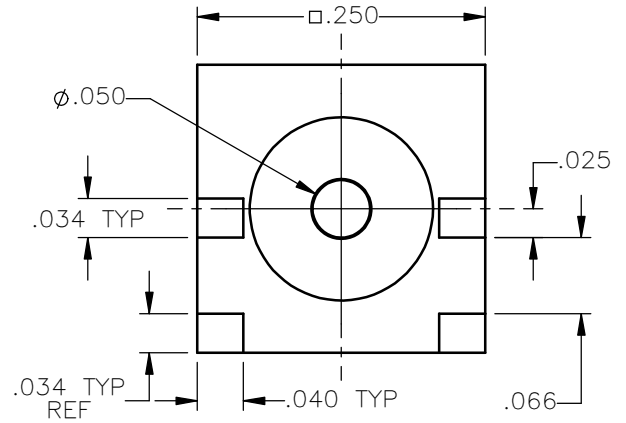
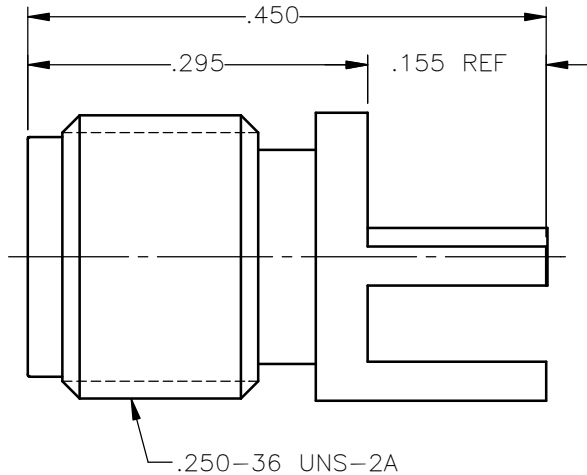


REVISIONS			
REV.	DESCRIPTION	DATE	APPROVED
A	INITIAL RELEASE	03/19/18	D.N.





NOTES:

MATERIALS:

1. BODY = STAINLESS STEEL PER ASTM A582, ALLOY 303, CONDITION "A".
2. INSULATOR = VIRGIN WHITE TEFLON PER ASTM D1710, GRADE 1, TYPE I, CLASS "B".
3. CONTACT = BERYLLIUM COPPER PER ASTM B196, ALLOY C17300, TEMPER TD04.

FINISHES:

1. BODY = GOLD PLATE PER ASTM B488-11, TYPE II, 30µin MIN, GRADE C, OVER 50 TO 100µin STRESS FREE NICKEL PER AMS-QQ-N-290.
2. CONTACT = GOLD PLATE PER ASTM B488-11, TYPE II, 50µin MIN, GRADE C, OVER 100 TO 200µin STRESS FREE SULFAMATE NICKEL PER AMS-QQ-N-290.

UNLESS OTHERWISE SPECIFIED DIMENSIONS ARE IN INCHES TOLERANCES ON	DWN: DATE	 <b>Property of Radiall</b> This document cannot be reproduced or communicated to a third party without prior written permission of RADIALL.	
	D.N. 03/19/18		
DECIMAL	ANGLE	CHKD: DATE	SMA STRAIGHT JACK EDGE MOUNT RECEPTACLE FOR .062 P.C.B. BOARD
		C.E. 03/19/18	
REFERENCE:	MATERIALS & FINISHES:	APVD: DATE	SIZE
ORIGINATED: D.N. DATE: 03/19/18	SEE NOTES	J.M. 03/19/18	A
			FSCM NO. 19505
			DWG NO. 9650-1113-004
			REV A
			SCALE 6:1
			THIRD ANGLE PROJECTION
			SHEET 1 OF 1

9650-1113-004