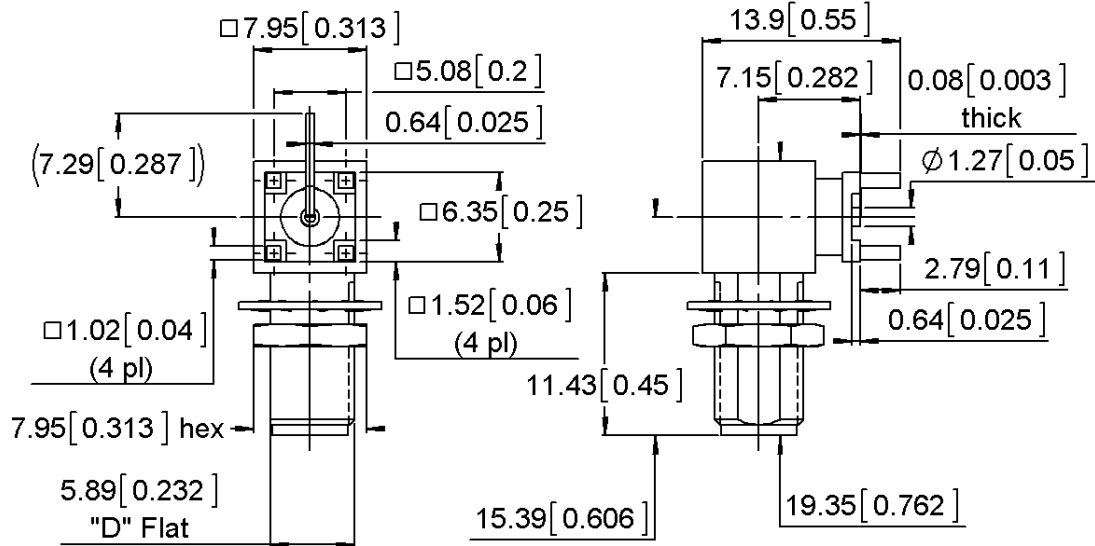
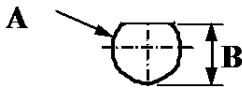


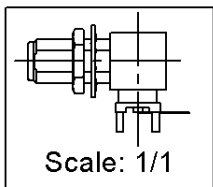
PAGE 1/2	ISSUE 1412 G	SERIES SMA	PART NUMBER 9652-1513-003
----------	--------------	------------	---------------------------



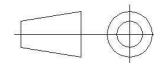
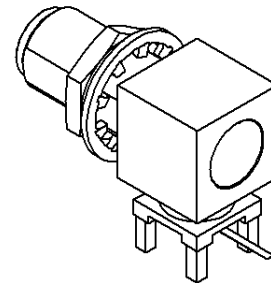
PANEL CUT OUT



	mm	
	Maxi	mini
A	6.604	6.452
B	6.121	5.969



All dimensions are in mm.



COMPONENTS	MATERIALS	PLATING (µm)
Body	STAINLESS STEEL	GOLD 0.8 OVER NICKEL 1.3
Center contact	BERYLLIUM COPPER	GOLD 1.27 OVER NICKEL 2.54
Outer contact		
Insulator	PTFE	
Gasket		
Others parts	STAINLESS STEEL, BRASS	GOLD 0.8 OVER COPPER 2.54
-	-	-
-	-	-

PAGE 2/2	ISSUE 1412 G	SERIES SMA	PART NUMBER 9652-1513-003
----------	--------------	------------	---------------------------

PACKAGING

Standard	Unit	Other
1	Contact us	Contact us

ELECTRICAL CHARACTERISTICS

Impedance		50	Ω
Frequency		0-12.4	GHz
VSWR	*1.10	+	0.0050 x F(GHz) Maxi
Insertion loss		0.1	√F(GHz) dB Maxi
RF leakage	- (- F(GHz)) dB Maxi
Voltage rating		335	Veff Maxi
Dielectric withstanding voltage		750	Veff mini
Insulation resistance		5000	MΩ mini

MECHANICAL CHARACTERISTICS

Center contact retention			
Axial force – Mating End			N mini
Axial force – Opposite end			N mini
Torque			N.cm mini
Recommended torque			
Mating			N.cm
Panel nut			N.cm
Mating life		500	Cycles mini
Weight		5.7900	g

ENVIRONMENTAL

Operating temperature	-65/+165	°C
Hermetic seal		Atm.cm3/s
Panel leakage		

SPECIFICATION

OTHER CHARACTERISTICS

Assembly instruction:

Others:
***transmission line only**

NOT APPROVED