

DC - 2 WIRE NAMUR
Brass, Nickel Plated (BN),
and Plastic (TROGAMID-T)
Cylindrical, Threaded

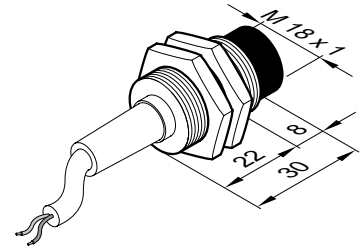
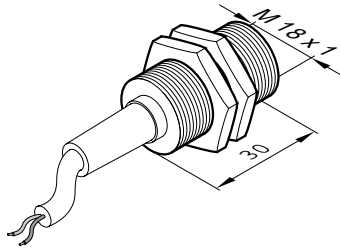
- **Low energy device**
- **Operates in hazardous areas with external amplifier**
- **Meets NAMUR regulations and DIN 19234 specifications**
- **Carries C€ mark**

- IEC(529) IP67 (NEMA 1, 3, 4, 6, 12, 13) Protection
- Reverse Polarity Protection
- Plastic and Metal Housing according to NAMUR Regulations and DIN 19234
- Temperature Range: -25 to 70°C (-13 to 158°F)

| | M18 Flush Mount | | M18 Non-Flush Mount | |
|--|------------------------|----------------------|----------------------------|----------------------|
| Sensing Distance | 5mm (.20 in.) | | 8mm (.31 in.) | |
| Cable or Connector Style Cat. No. | Cable | 65 | Cable | 65 |
| Nickel Plated Brass (BN) | 9932-0500 | 9932-0565 | 9932-0600 | 9932-0665 |
| Plastic (TROGAMID T) | 9932-1300 | | 9932-1200 | |
| Ripple Voltage | ≤5% | ≤5% | ≤5% | ≤5% |
| Voltage Range (supplied by Pulsotronic 8100-2200 Unit) | 8.2V DC at 1KΩ | 8.2V DC at 1KΩ | 8.2V DC at 1KΩ | 8.2V DC at 1KΩ |
| Output Current (with target detection) | 0.5 mA | 0.5 mA | 0.5 mA | 0.5 mA |
| Output Current (no target detection) | 3.5 mA | 3.5 mA | 3.5 mA | 3.5 mA |
| Switching Frequency | 1000 0Hz | 1000 Hz | 500 Hz | 500 Hz |
| Hysteresis | ≤15% | ≤15% | ≤15% | ≤15% |
| Temperature Drift | ≤10% | ≤10% | ≤10% | ≤10% |
| Repeatability | .5mm (.02 in.) | .5mm (.02 in.) | .8mm (.03 in.) | .8mm (.03 in.) |
| Front Cap Material | PBTP (Metal Housing) | PBTP (Metal Housing) | PBTP (Metal Housing) | PBTP (Metal Housing) |

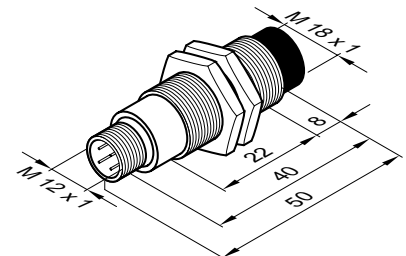
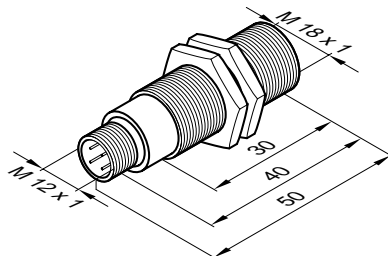
Fixed Cable

PVC 2m (6ft. 6in.). For 5m (16 ft. 5 in.) cable length, change the last two digits of the part number to 02. For other cable lengths and/or PUR cable, please consult Altech. Supplied with Brass, Nickel Plated (BN) locknuts.



65 Style Connector

4-pin, Micro style, 12mm (.47 in.) supplied with Brass, Nickel Plated (BN) locknuts.



Metric/in. Conversion Table

| | |
|-------------------|--------------------|
| 1.0 mm = .04 in. | 28.0 mm = 1.16 in. |
| 1.5 mm = .06 in. | 30.0 mm = 1.20 in. |
| 8.0 mm = .31 in. | 40.0 mm = 1.57 in. |
| 12.0 mm = .47 in. | 50.0 mm = 1.96 in. |
| 18.0 mm = .70 in. | 51.0 mm = 2.00 in. |
| 22.0 mm = .86 in. | 60.0 mm = 2.36 in. |

This table converts millimeters to inches in reference to the illustrations included on these pages

Accessories

2 meter (6 ft. 6 in.) DC Cable Assemblies for Quick Disconnect Sensors

65 Connectors, 4 PIN – 4 Wire cable (PIN 1, 2, 3, 4) :
65 Connector 8000-5280 PVC Right Angle

Change last digit of connector number to 5 for 5 meter cable

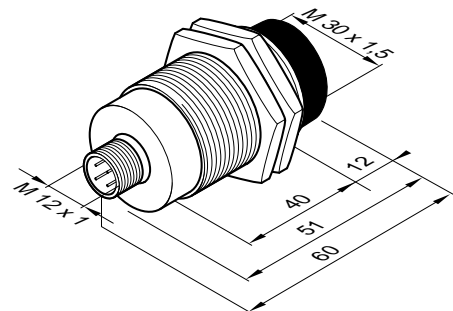
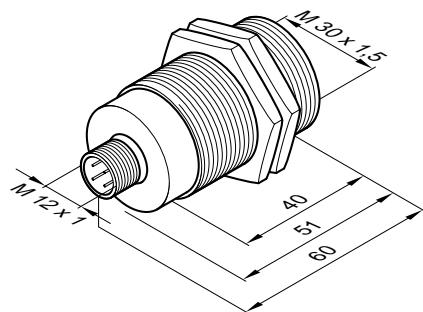
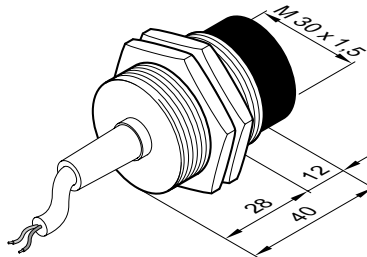
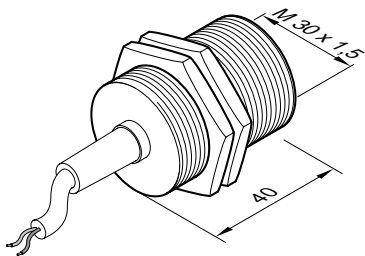
Refer to pages 116-121 for more cable information

Remote Amplifier – Use 8100-2200, see page 123

Mounting Brackets – see Pages 114-115

| M30 Flush Mount 10mm (.39 in.) | | M30 Non-Flush Mount 15mm (.59 in.) | |
|-----------------------------------|----------------------|---------------------------------------|----------------------|
| Cable | 65 | Cable | 65 |
| 9932-0700 | 9932-0765 | 9932-0800 | 9932-0865 |
| 9932-1500 | | 9932-1400 | |
| ≤5% | ≤5% | ≤5% | ≤5% |
| 8.2V DC at 1KΩ | 8.2V DC at 1KΩ | 8.2V DC at 1KΩ | 8.2V DC at 1KΩ |
| 0.5 mA | 0.5 mA | 0.5 mA | 0.5 mA |
| 3.5 mA | 3.5 mA | 3.5 mA | 3.5 mA |
| 500 Hz | 500 Hz | 300 Hz | 300 Hz |
| ≤15% | ≤15% | ≤15% | ≤15% |
| ≤10% | ≤10% | ≤10% | ≤10% |
| .1mm (.039 in.) | .1mm (.039 in.) | 1.5mm (.059 in.) | 1.5mm (.059 in.) |
| PBTP (Metal Housing) | PBTP (Metal Housing) | PBTP (Metal Housing) | PBTP (Metal Housing) |

Note: Sensor dimensions in mm.



Wiring Diagrams

Note: Wire colors are applicable to cable purchased from Altech

