

Triaxial accelerometer with integral cable

993A-5

SPECIFICATIONS

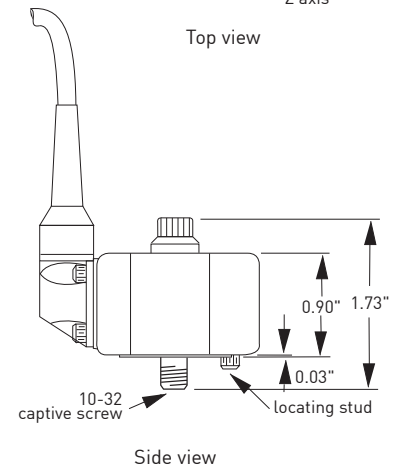
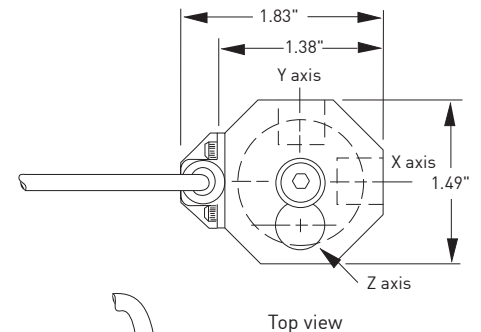
Sensitivity, ±10%, 25°C		100 mV/g
Acceleration range		50 g peak
Amplitude nonlinearity		1%
Frequency response:		
all channels, ±10%		2 - 2,000 Hz
Transverse sensitivity, max		5% of axial
Temperature response:		
-50°C		+10%
+25°C		0%
+80°C		+3%
+120°C		-7%
Power requirement:		
Voltage source		18 - 30 VDC
Current regulating diode		2 - 10 mA
Electrical noise, equiv. g:		
Broadband	2.5 Hz to 25 kHz	150 µg
Spectral	10 Hz	20 µg/√Hz
	100 Hz	2.0 µg/√Hz
	1,000 Hz	0.6 µg/√Hz
Output impedance, max		100 Ω
Bias output voltage		12 VDC
Grounding		case isolated, internally shielded
Temperature range		-50° to +120°C
Vibration limit		500 g peak
Shock limit		5,000 g peak
Electromagnetic sensitivity, equiv. g		100 µg/gauss
Sealing		epoxy
Base strain sensitivity		0.002 g/µstrain
Sensing element design		PZT, shear
Weight		90 grams
Case material		hardcoated aluminum
Mounting		10-32 captive screw
Recommended cabling		J98 integral cable, 6 ft.

Accessories supplied: #11085 captive screw; calibration data (level 2)



Key features

- Measures three axes at a single mounting location for faster, more efficient data collection
- Manufactured in ISO 9001 facility



Note: Due to continuous process improvement, specifications are subject to change without notice. This document is cleared for public release.

Connections	
Function	Cable conductor color
axis X, power/signal	green
axis Y, power/signal	red
axis Z, power/signal	white
common (all channels)	black
N/C	shield