

High-frequency, integral cable accelerometers

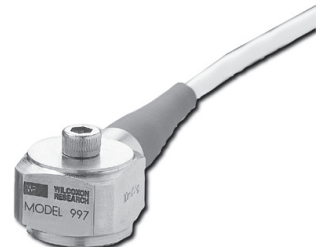
997 series

SPECIFICATIONS

Sensitivity, $\pm 10\%$, 25°C		10 mV/g
Acceleration range		600 g peak
Amplitude nonlinearity		1%
Frequency response:	$\pm 5\%$	1.5 - 20,000 Hz
	$\pm 10\%$	1.0 - 25,000 Hz
	± 3 dB	0.5 - 29,000 Hz
Resonance frequency, mounted		>45 kHz
Transverse sensitivity, max		3% of axial
Temperature response:	-55°C	+1%
	-25°C	-1%
	+120°C	+8%
Power requirement:		
Voltage source		18 - 30 VDC
Current regulating diode		2 - 10 mA
Electrical noise, equiv. g, nominal:		
Broadband	2.5 Hz to 25 kHz	1,000 μ g
	10 Hz	25 μ g/ $\sqrt{\text{Hz}}$
Spectral	100 Hz	9 μ g/ $\sqrt{\text{Hz}}$
	1,000 Hz	7 μ g/ $\sqrt{\text{Hz}}$
Output impedance, max		100 Ω
Bias output voltage, nominal		12 VDC
Grounding		case isolated, internally shielded
Turn-on time		<1 sec
Temperature range		-50° to +120°C
Vibration limit		1,000 g
Shock limit		5,000 g peak
Sealing		hermetic
Base strain sensitivity, max		0.0005 g/ μ strain
Weight		35 grams
Case material		316L stainless steel
Mounting:	997	8-32 captive screw
	997-M4	M4 captive screw
Integral cabling		J10, 16 ft., Enviroprene, two-conductor shielded

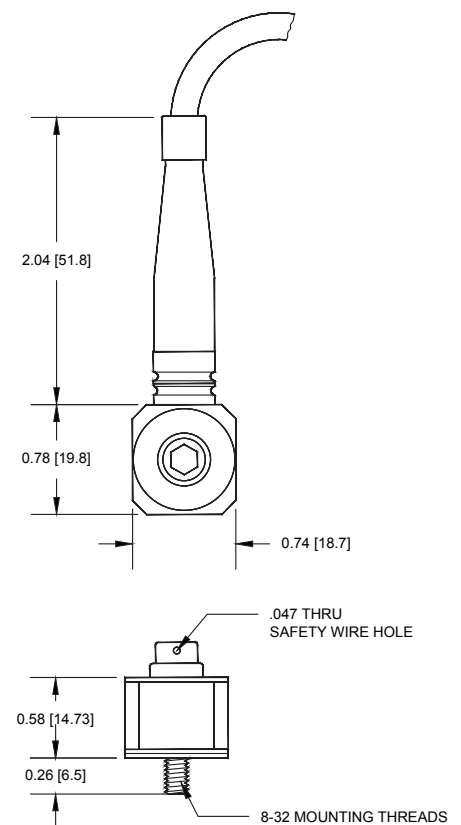
Accessories supplied: Captive screw (type depends on model); calibration data (level 2)

Options: Cable length



Key features

- Available models: 997 (8-32 captive screw) and 997-M4 (M4 captive screw)
- High amplitude range
- Manufactured in ISO 9001 facility



Connections	
Function	Cable conductor color
power/signal	white
common	black
case	shield



Note: Due to continuous process improvement, specifications are subject to change without notice.
This document is cleared for public release.