

Description

The 9QXL2000B is a 20-output very-low-additive phase jitter fanout buffer for PCIe Gen4 and Gen5. It offers integrated terminations for 85Ω transmission lines.

PCIe Clocking Architectures

- Common Clocked (CC)
- Independent Reference (IR) with and without spread spectrum

Typical Applications

- Servers
- Storage
- Networking
- SSDs

Features

- Low-Power HCSL (LP-HCSL) 85Ω outputs eliminate 80 resistors, saving 130mm² of area
- Low-Power HCSL (LP-HCSL) outputs reduce device power consumption by 50%
- 8 OE# pins configurable to control up to 20 outputs
- 9 selectable SMBus addresses
- Spread spectrum compatible
- 10 × 10 mm 72-VFQFPN package

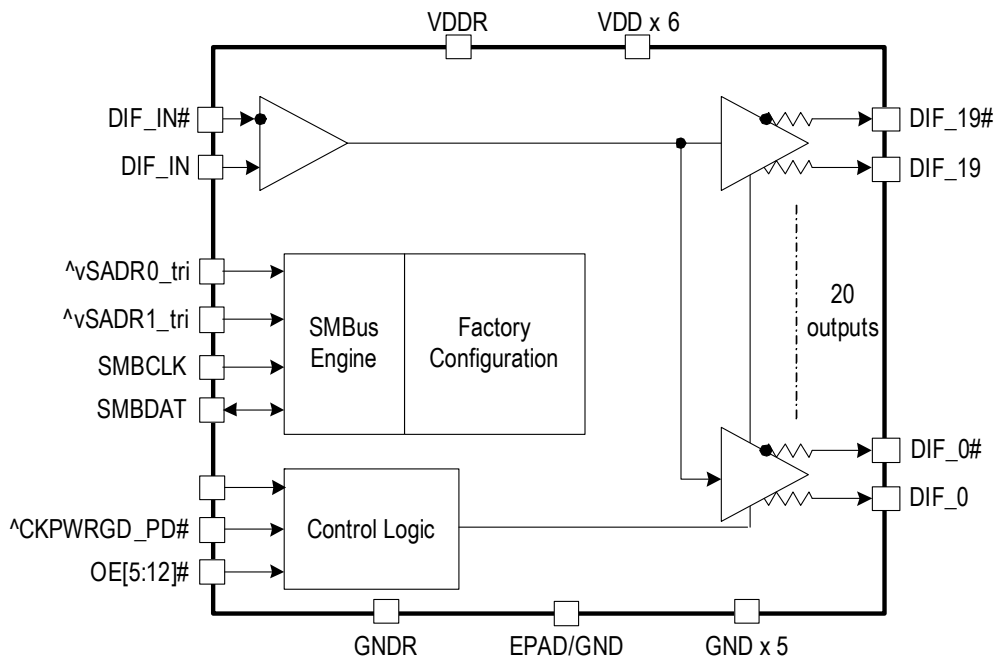
Output Features

- 20 Low-Power HCSL (LP-HCSL) 85Ω output pairs

Key Specifications

- Output-to-output skew: < 50ps
- Additive phase jitter: DB2000Q filter < 40fs rms
- Additive Phase jitter: PCIe Gen4 filter < 40fs rms
- Additive Phase jitter: PCIe Gen5 filter < 20fs rms
- DB2000Q v1.1 pinout

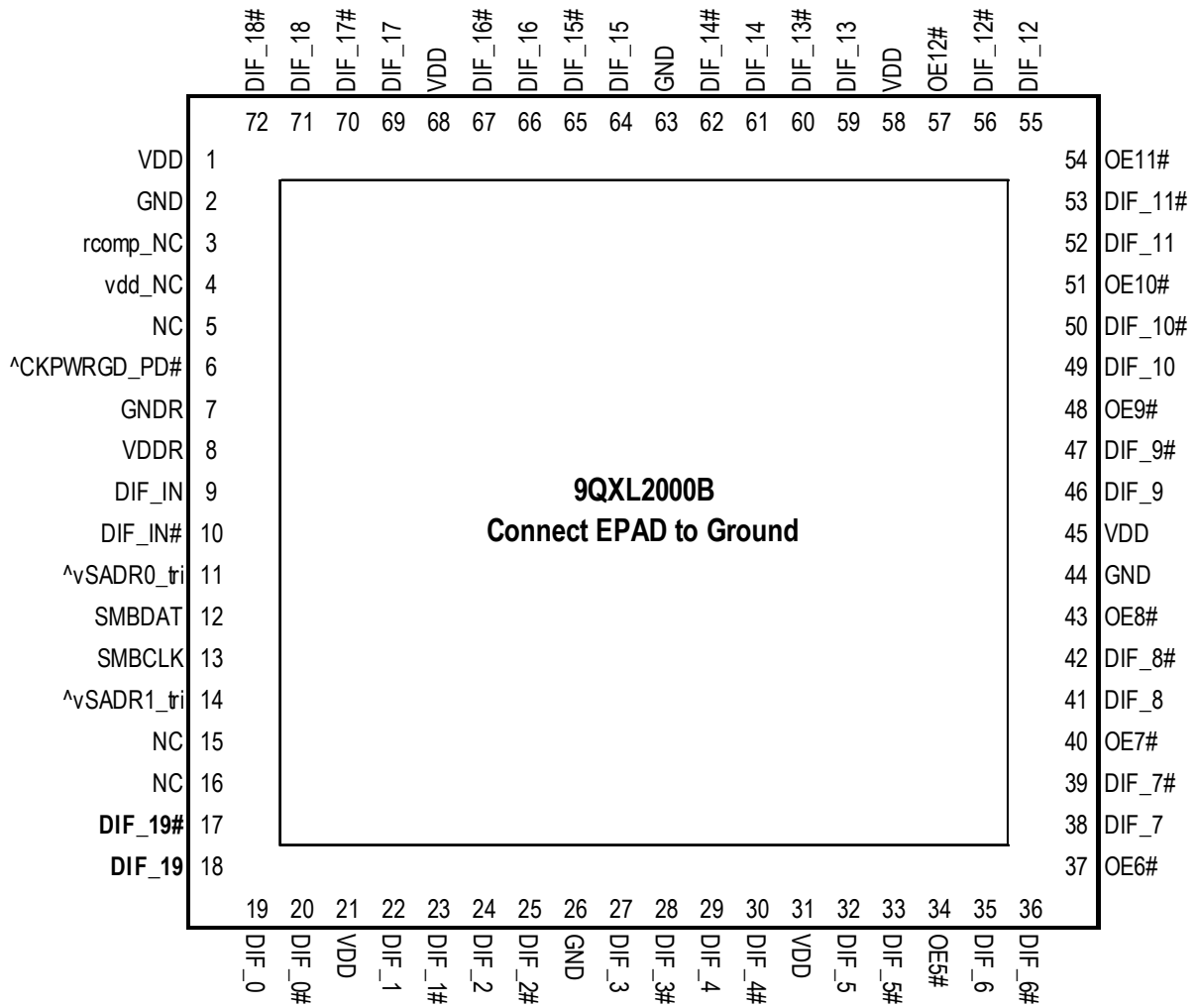
Block Diagram



Contents

Description	1
PCIe Clocking Architectures	1
Typical Applications	1
Features	1
Output Features	1
Key Specifications	1
Block Diagram	1
Pin Assignments	3
Pin Descriptions	4
Absolute Maximum Ratings	7
Electrical Characteristics	7
Power Management	12
Power Connections	12
SMBus Addressing	13
Test Loads	14
Alternate Terminations	14
General SMBus Serial Interface Information	15
Package Outline Drawings	19
Ordering Information	19
Marking Diagram	20
Revision History	20

Pin Assignments



72-VFQFPN (10 x 10 mm, 0.5mm pad pitch)

- ^ prefix indicates an internal pull-up resistor
- v prefix indicates an internal pull-down resistor
- ^v prefix indicates an internal pull-up and pull-down resistor

Pin Descriptions

Table 1. Pin Descriptions

Number	Name	Type	Description
1	VDD	Power	Power supply, nominally 3.3V.
2	GND	GND	Ground pin.
3	rcomp_NC	-	The DB2000Q specification calls this pin RCOMP. This pin is a true No Connect on the Renesas 9QXL2000 device, since it is not needed. Any existing connections on the board may remain to support non-Renesas DB2000Q devices.
4	vdd_NC	-	The DB2000Q specification calls this pin VDD. This pin is a true No Connect on the Renesas 9QXL2000 device, since it is not needed. Any existing connections on the board may remain to support non-Renesas DB2000Q devices.
5	NC	-	No connection.
6	^CKPWRGD_PD#	Input	Input notifies device to sample latched inputs and start up on first high assertion. Low enters Power Down Mode, subsequent high assertions exit Power Down Mode. This pin has internal pull-up resistor.
7	GNDR	GND	Analog ground pin for the differential input (receiver).
8	VDDR	Power	Power supply for differential input clock (receiver). This VDD should be treated as an analog power rail and filtered appropriately. Nominally 3.3V.
9	DIF_IN	Input	HCSL true input.
10	DIF_IN#	Input	HCSL complementary input.
11	^vSADR0_tri	Input	SMBus address bit. This is a tri-level input that works in conjunction with other SADR pins, if present, to decode SMBus Addresses. It has internal pull up/down resistors to bias to VDD/2. See the SMBus Addressing table.
12	SMBDAT	I/O	Data pin of SMBUS circuitry
13	SMBCLK	Input	Clock pin of SMBUS circuitry
14	^vSADR1_tri	Input	SMBus address bit. This is a tri-level input that works in conjunction with other SADR pins, if present, to decode SMBus Addresses. It has internal pull up/down resistors to bias to VDD/2. See the SMBus Addressing table.
15	NC	-	No connection.
16	NC	-	No connection.
17	DIF_19#	Output	HCSL complementary clock output.
18	DIF_19	Output	HCSL true clock output.
19	DIF_0	Output	HCSL true clock output.
20	DIF_0#	Output	HCSL complementary clock output.
21	VDD	Power	Power supply, nominally 3.3V.
22	DIF_1	Output	HCSL true clock output.
23	DIF_1#	Output	HCSL complementary clock output.
24	DIF_2	Output	HCSL true clock output.
25	DIF_2#	Output	HCSL complementary clock output.
26	GND	GND	Ground pin.

Table 1. Pin Descriptions (Cont.)

Number	Name	Type	Description
27	DIF_3	Output	HCSL true clock output.
28	DIF_3#	Output	HCSL complementary clock output.
29	DIF_4	Output	HCSL true clock output.
30	DIF_4#	Output	HCSL complementary clock output.
31	VDD	Power	Power supply, nominally 3.3V.
32	DIF_5	Output	HCSL true clock output.
33	DIF_5#	Output	HCSL complementary clock output.
34	OE5#	Input	Active low input for enabling output 5. 1 = disable output, 0 = enable output.
35	DIF_6	Output	HCSL true clock output.
36	DIF_6#	Output	HCSL complementary clock output.
37	OE6#	Input	Active low input for enabling output 6. 1 = disable output, 0 = enable output.
38	DIF_7	Output	HCSL true clock output.
39	DIF_7#	Output	HCSL complementary clock output.
40	OE7#	Input	Active low input for enabling output 7. 1 = disable output, 0 = enable output.
41	DIF_8	Output	HCSL true clock output.
42	DIF_8#	Output	HCSL complementary clock output.
43	OE8#	Input	Active low input for enabling output 8. 1 = disable output, 0 = enable output.
44	GND	GND	Ground pin.
45	VDD	Power	Power supply, nominally 3.3V.
46	DIF_9	Output	HCSL true clock output.
47	DIF_9#	Output	HCSL complementary clock output.
48	OE9#	Input	Active low input for enabling output 9. 1 = disable output, 0 = enable output.
49	DIF_10	Output	HCSL true clock output.
50	DIF_10#	Output	HCSL complementary clock output.
51	OE10#	Input	Active low input for enabling output 10. 1 = disable output, 0 = enable output.
52	DIF_11	Output	HCSL true clock output.
53	DIF_11#	Output	HCSL complementary clock output.
54	OE11#	Input	Active low input for enabling output 11. 1 = disable output, 0 = enable output.
55	DIF_12	Output	HCSL true clock output.

Table 1. Pin Descriptions (Cont.)

Number	Name	Type	Description
56	DIF_12#	Output	HCSL complementary clock output.
57	OE12#	Input	Active low input for enabling output 12. 1 = disable output, 0 = enable output.
58	VDD	Power	Power supply, nominally 3.3V.
59	DIF_13	Output	HCSL true clock output.
60	DIF_13#	Output	HCSL complementary clock output.
61	DIF_14	Output	HCSL true clock output.
62	DIF_14#	Output	HCSL complementary clock output.
63	GND	GND	Ground pin.
64	DIF_15	Output	HCSL true clock output.
65	DIF_15#	Output	HCSL complementary clock output.
66	DIF_16	Output	HCSL true clock output.
67	DIF_16#	Output	HCSL complementary clock output.
68	VDD	Power	Power supply, nominally 3.3V.
69	DIF_17	Output	HCSL true clock output.
70	DIF_17#	Output	HCSL complementary clock output.
71	DIF_18	Output	HCSL true clock output.
72	DIF_18#	Output	HCSL complementary clock output.
73	EPAD	GND	Connect EPAD to ground.

Absolute Maximum Ratings

Stresses above the ratings listed below can cause permanent damage to the 9QXL2000B. These ratings, which are standard values for Renesas commercially rated parts, are stress ratings only. Functional operation of the device at these or any other conditions above those indicated in the operational sections of the specifications is not implied. Exposure to absolute maximum rating conditions for extended periods can affect product reliability. Electrical parameters are guaranteed only over the recommended operating temperature range.

Table 2. Absolute Maximum Ratings

Parameter	Symbol	Conditions	Minimum	Typical	Maximum	Unit	Notes
Supply Voltage	V_{DDx}		-	-	3.9	V	1,2
Input Low Voltage	V_{IL}		GND - 0.5	-	-	V	1
Input High Voltage	V_{IH}	Except for SMBus interface.	-	-	$V_{DD} + 0.5$	V	1,3
Input High Voltage	$V_{IH\text{SMB}}$	SMBus clock and data pins.	-	-	3.9	V	1
Storage Temperature	T_s		-65	-	150	°C	1
Junction Temperature	T_j	Maximum operating junction temperature.	-	-	125	°C	1
Input ESD Protection	ESD prot	Human Body Model.	2000	-	-	V	1

¹ Confirmed by design and characterization, not 100% tested in production.

² Operation under these conditions is neither implied nor guaranteed.

³ Not to exceed 3.9V.

Electrical Characteristics

T_{AMB} = over the specified operating range. Supply voltages per normal operation conditions; see [Test Loads](#) for loading conditions.

Table 3. SMBus Parameters

Parameter	Symbol	Conditions	Minimum	Typical	Maximum	Unit	Notes
SMBus Input Low Voltage	$V_{IL\text{SMB}}$		-	-	0.8	V	-
SMBus Input High Voltage	$V_{IH\text{SMB}}$		2.1	-	$V_{DD\text{SMB}}$	V	-
SMBus Output Low Voltage	$V_{OL\text{SMB}}$	At I_{PULLUP} .	-	-	0.4	V	-
SMBus Sink Current	I_{PULLUP}	At V_{OL} .	4	-	-	mA	-
Nominal Bus Voltage	$V_{DD\text{SMB}}$		2.7	-	3.6	V	1
SCLK/SDATA Rise Time	t_{RSMB}	(Max $V_{IL} - 0.15\text{V}$) to (Min $V_{IH} + 0.15\text{V}$).	-	-	1000	ns	1
SCLK/SDATA Fall Time	t_{FSMB}	(Min $V_{IH} + 0.15\text{V}$) to (Max $V_{IL} - 0.15\text{V}$).	-	-	300	ns	1
SMBus Operating Frequency	f_{SMBMAX}	Maximum SMBus operating frequency.	-	-	400	kHz	5

¹ Confirmed by design and characterization, not 100% tested in production.

² Control input must be monotonic from 20% to 80% of input swing.

³ Time from deassertion until outputs are > 200mV.

⁴ DIF_IN input.

⁵ The differential input clock must be running for the SMBus to be active.

Table 4. DIF_IN Clock Input Parameters

Parameter	Symbol	Conditions	Minimum	Typical	Maximum	Unit	Notes
Input Crossover Voltage – DIF_IN	V_{CROSS}	Cross over voltage.	100	-	900	mV	1
Input Swing – DIF_IN	V_{SWING}	Differential value.	200	-	-	mV	1
Input Slew Rate – DIF_IN	dv/dt	Measured differentially.	0.7	-	-	V/ns	1,2
Input Leakage Current	I_{IN}	$V_{IN} = V_{DD}$, $V_{IN} = GND$.	-5	-	5	μA	-
Input Duty Cycle	d_{tin}	Measurement from differential waveform.	45	-	55	%	1

¹ Confirmed by design and characterization, not 100% tested in production.

² Slew rate measured through $\pm 75mV$ window centered around differential zero.

Table 5. Input/Supply/Common Parameters

T_{AMB} = over the specified operating range. Supply voltages per normal operation conditions; see [Test Loads](#) for loading conditions.

Parameter	Symbol	Conditions	Minimum	Typical	Maximum	Unit	Notes
Supply Voltage	V_{DDx}	Supply voltage for core and analog.	3.135	3.3	3.465	V	-
Ambient Operating Temperature	T_{AMB}	Industrial range (T_{IND}).	-40	25	85	$^{\circ}C$	-
Input High Voltage	V_{IH}	Single-ended inputs, except SMBus, tri-level inputs.	2	-	$V_{DD} + 0.3$	V	-
Input Low Voltage	V_{IL}	Single-ended inputs, except SMBus, tri-level inputs.	GND - 0.3	-	0.8	V	-
Input High Voltage	V_{IH}	Tri-level inputs.	2.2	-	$V_{DD} + 0.3$	V	-
Input Mid Voltage	V_{IM}	Tri-level inputs.	1.2	$V_{DD}/2$	1.8	V	-
Input Low Voltage	V_{IL}	Tri-level inputs.	GND - 0.3	-	0.8	V	-
Input Current	I_{IN}	Single-ended inputs, $V_{IN} = GND$, $V_{IN} = V_{DD}$.	-5	-	5	μA	-
	I_{INP}	Single-ended inputs. $V_{IN} = 0V$; inputs with internal pull-up resistors. $V_{IN} = V_{DD}$; inputs with internal pull-down resistors.	-50	-	50	μA	-
Input Frequency	F_{ibyp}	$V_{DD} = 3.3V$.	1	-	400	MHz	-
Pin Inductance	L_{pin}			-	7	nH	1
Capacitance	C_{IN}	Logic inputs, except DIF_IN.	1.5	-	5	pF	1
	C_{INDIF_IN}	DIF_IN differential clock inputs.	1.5	-	2.7	pF	1,4
	C_{OUT}	Output pin capacitance.	-	-	6	pF	1
Clk Stabilization	T_{STAB}	From V_{DD} power-up and after input clock stabilization or deassertion of PD# to 1st clock.	-	1.0	1.8	ms	1,2
OE# Latency	$t_{LATOE\#}$	DIF start after OE# assertion. DIF stop after OE# deassertion.	4	5	10	clocks	1,2,3

Table 5. Input/Supply/Common Parameters (Cont.)

T_{AMB} = over the specified operating range. Supply voltages per normal operation conditions; see [Test Loads](#) for loading conditions.

Parameter	Symbol	Conditions	Minimum	Typical	Maximum	Unit	Notes
Tdrive_PD#	t _{DRVPD}	DIF output enable after PD# deassertion.	-	76	300	μs	1,3
Tfall	t _F	Fall time of control inputs.	-	-	5	ns	2
Trise	t _R	Rise time of control inputs.	-	-	5	ns	2

¹ Confirmed by design and characterization, not 100% tested in production.

² Control input must be monotonic from 20% to 80% of input swing.

³ Time from deassertion until outputs are > 200mV.

⁴ DIF_IN input.

Table 6. Current Consumption

Parameter	Symbol	Conditions	Minimum	Typical	Maximum	Unit	Notes
Operating Supply Current	I _{DDVDD}	All outputs 100MHz, C _L = 2pF; Z _o = 85Ω.	-	177	219	mA	-
	I _{DDVDDA/R}	All outputs 100MHz, C _L = 2pF; Z _o = 85Ω.	-	3	5	mA	-
Power Down Current	I _{DDVDDP}	All differential pairs low-low.	-	0.6	1	mA	-
	I _{DDVDDA/RP}	All differential pairs low-low.	-	0.8	1.1	mA	-

Table 7. Skew and Differential Jitter Parameters

T_{AMB} = over the specified operating range. Supply voltages per normal operation conditions; see [Test Loads](#) for loading conditions.

Parameter	Symbol	Conditions	Minimum	Typical	Maximum	Unit	Notes
CLK_IN, DIF[x:0]	t _{PD}	Input-to-output skew.	2.3	2.7	3	ns	1,2,3,4,5,7
CLK_IN, DIF[x:0]	t _{PDVARIATION}	Input-to-output skew variation for a given device at a given voltage.	-	-	2	ps/°C	1,2,3,5,8
DIF[x:0]	t _{SKREW_ALL}	Output-to-output skew across all outputs.	-	28	50	ps	1,2,3,7
Duty Cycle Distortion	t _{DCD}	Measured differentially at 100MHz.	-0.6	-0.3	0	%	1,6,7

¹ Measured into fixed 2pF load cap. Input to output skew is measured at the first output edge following the corresponding input.

² Measured from differential cross-point to differential cross-point.

³ All input-to-output specs refer to the timing between an input edge and the specific output edge created by it.

⁴ Measured with scope averaging on to find mean value.

⁵ Confirmed by design and characterization, not 100% tested in production.

⁶ Duty cycle distortion is the difference in duty cycle between the output and the input clock when the device is operated in Bypass Mode.

⁷ Measured from differential waveform.

⁸ This is the amount of input-to-output delay variation with respect to temperature. This is equivalent to 250ps over the -40°C to +85°C temperature range.

Table 8. LP-HCSL Outputs Driving High Impedance Receiver

T_{AMB} = over the specified operating range. Supply voltages per normal operation conditions; see [Test Loads](#) for loading conditions.

Parameter	Symbol	Conditions	Minimum	Typical	Maximum	Industry Limits	Unit	Notes
Slew Rate	dV/dt	Scope averaging on, fast setting.	2	2.4	4	1 – 4	V/ns	1,2,3
Rise/Fall Matching	ΔtR/tF	Single-ended measurement.		5.3	16	20	%	-
Maximum Voltage	Vmax	Measurement on single-ended signal using absolute value (scope averaging off).	700	790	875	660 – 1150	mV	7,8
Minimum Voltage	Vmin		-150	-50	25	-300 – +150		1,5,7,8
Crossing Voltage (abs)	Vcross_abs	Scope averaging off.	250	370	550	250 – 550	mV	1,6,7
Crossing Voltage (var)	Δ-Vcross	Scope averaging off.	-	15	50	140	mV	1,6,7

¹ Confirmed by design and characterization, not 100% tested in production.

² Measured from differential waveform.

³ Slew rate is measured through the Vswing voltage range centered around differential 0V. This results in a ±150mV window around differential 0V.

⁴ Matching applies to rising edge rate for Clock and falling edge rate for Clock#. It is measured using a ±75mV window centered on the average cross point where Clock rising meets Clock# falling. The median cross point is used to calculate the voltage thresholds the oscilloscope is to use for the edge rate calculations.

⁵ Vcross is defined as voltage where Clock = Clock# measured on a component test board and only applies to the differential rising edge (i.e. Clock rising and Clock# falling).

⁶ The total variation of all Vcross measurements in any particular system. Note that this is a subset of Vcross_min/max (Vcross absolute) allowed. The intent is to limit Vcross induced modulation by setting Δ-Vcross to be smaller than Vcross absolute.

⁷ At default SMBus settings.

⁸ Includes 300mV of overshoot for Vmax and 300mV of undershoot for Vmin.

Table 9. Filtered Phase Jitter Parameters - PCIe Common Clocked (CC) Architectures

Parameter	Symbol	Conditions	Minimum	Typical	Maximum	Specification Limits	Unit	Notes
Additive Phase Jitter, Bypass Mode	$t_{jphPCIeG1-CC}$	PCIe Gen1.	-	0.21	1.3	Not Applicable	ps (p-p)	1,2,3,4
	$t_{jphPCIeG2-CC}$	PCIe Gen2 Low Band 10kHz < f < 1.5MHz (PLL BW of 5–16MHz or 8–16MHz, CDR = 5MHz).	-	0.0041	0.0045		ps (rms)	1,2,4,6
		PCIe Gen2 High Band 1.5MHz < f < Nyquist (50MHz) (PLL BW of 5–16MHz or 8–16MHz, CDR = 5MHz).	-	0.07	0.1		ps (rms)	1,2,4,6
	$t_{jphPCIeG3/4-CC}$	PCIe Gen3, Gen4 (PLL BW of 2–4MHz or 2–5MHz, CDR = 10MHz).	-	0.03	0.04		ps (rms)	1,2,4,6
	$t_{jphPCIeG5-CC}$	PCIe Gen5 (see PCIe Gen5 specifications for details).	-	0.01	0.02		ps (rms)	1,2,4,6

Table 10. Filtered Phase Jitter Parameters – PCIe Independent Reference (IR) Architectures

Parameter	Symbol	Conditions	Minimum	Typical	Maximum	Industry Limits	Unit	Notes
Additive Phase Jitter, Bypass Mode	$t_{jphPCIeG2-SRIS}$	PCIe Gen2 (PLL BW of 16MHz, CDR = 5MHz).	-	0.09	0.104	Not applicable	ps (rms)	1,2,4,6
	$t_{jphPCIeG3-SRIS}$	PCIe Gen3 (PLL BW of 2–4MHz, CDR = 10MHz).	-	0.02	0.03		ps (rms)	1,2,4,6

Notes for PCIe Filtered Phase Jitter tables (CC) and (IR).

- ¹ Applies to all differential outputs, guaranteed by design and characterization.
- ² Applies to all outputs when driven by a low phase noise source.
- ³ Sample size of at least 100K cycles. This figure extrapolates to 108ps pk-pk at 1M cycles for a BER of 1⁻¹².
- ⁴ For RMS values, additive jitter is calculated by solving for “b” [$b = \sqrt{c^2 - a^2}$] where “a” is rms input jitter and “c” is rms total jitter.
- ⁵ IR is the new name for Separate Reference Independent Spread (SRIS) and Separate Reference no Spread (SRNS) PCIe clock architectures. According to the PCIe Base Specification Rev4.0 version 1.0, the jitter transfer functions and corresponding jitter limits are not defined for the IR clock architecture. The IR filters from the PCIe Base Specification, Rev 3.1a are used to populate this table. There are no accepted filters or limits for IR clock architectures at PCIe Gen1 or Gen4 data rates at the time of publication.
- ⁶ Measured using SMA100B signal source, or equivalent, and a phase noise analyzer.

Table 11. Filtered Phase Jitter Parameters – DB2000Q Filter

Parameter	Symbol	Conditions	Minimum	Typical	Maximum	Specification Limits	Unit	Notes
Additive Phase Jitter	$t_{jphDB2000Qadd}$	100MHz.	-	24	40	80	fs (rms)	1,2,3

¹ Applies to all outputs when driven by a low phase noise source.

² After applying DB2000Q filter.

³ For RMS values, additive jitter is calculated by solving for “b” [$b = \sqrt{c^2 - a^2}$] where “a” is rms input jitter and “c” is rms total jitter.

Table 12. Unfiltered Phase Jitter Parameters – 12kHz to 20MHz

Parameter	Symbol	Conditions	Minimum	Typical	Maximum	Industry Limits	Unit	Notes
Additive Phase Jitter	$t_{jph12k-20Madd}$	100MHz.	-	97	121	N/A	fs (rms)	1,2,3
		156.25MHz.	-	86	103			

¹ Applies to all outputs when driven by a low phase noise source.

² 12kHz to 20MHz brick wall filter.

³ For RMS values, additive jitter is calculated by solving for “b” [$b = \sqrt{c^2 - a^2}$] where “a” is rms input jitter and “c” is rms total jitter.

Power Management

Inputs					Outputs
CKPWRGD_PD#	DIF_IN	OEx bit Byte[2:0]	OE Pin CFG bit Byte[8,9]	OEx# Pin	DIFx
0	X	X	X	X	Low/Low
1	Running	0	X	X	Low/Low
		1	0	X	Running
1	Running	1	1	0	Running
		1	1	1	Low/Low

Power Connections

Pin Number		Description
V _{DD}	GND	
8	7	Analog Rx
1, 21, 31, 45, 58, 68	2, 26, 44, 63	DIF clocks

SMBus Addressing

Pin		SMBus Address (Read/Write bit = 0)
SMB_A1_tri	SMB_A0_tri	
0	0	D8
0	M	DA
0	1	DE
M	0	C2
M	M	C4
M	1	C6
1	0	CA
1	M	CC
1	1	CE

Test Loads

Figure 1. AC/DC Test Load for High Impedance Receivers

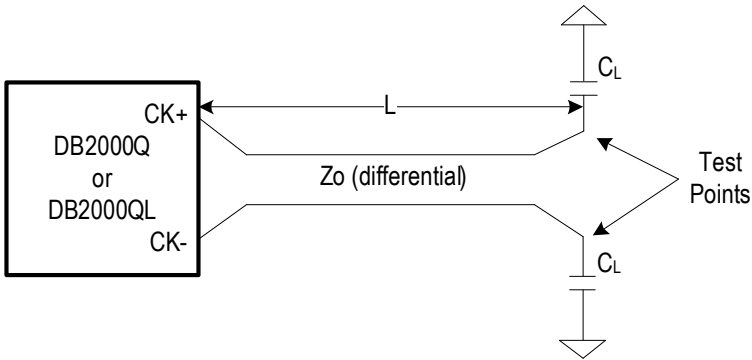


Figure 2. Test Setup for DB2000Q Additive Phase Jitter Measurement

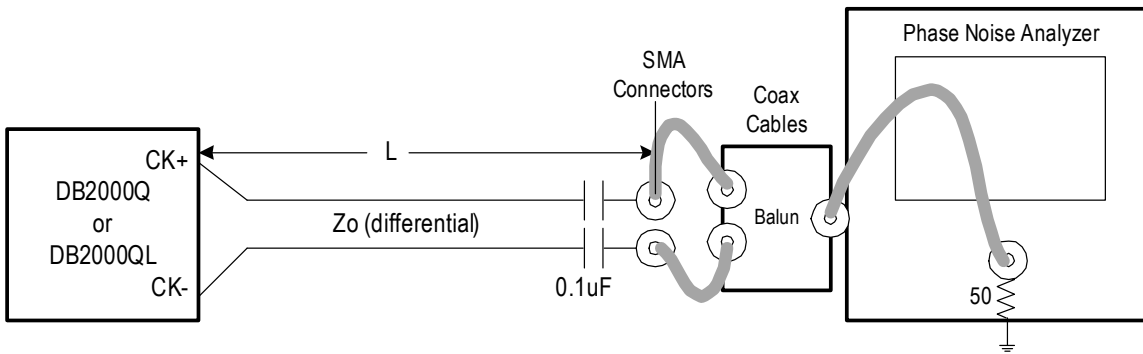


Table 13. Parameters for Test Loads

Rs (Ω)	Zo (Ω)	L (cm)	CL (pF)
Internal	85	30.5	2

Alternate Terminations

The LP-HCSL output can easily drive other logic families. See [“AN-891 Driving LVPECL, LVDS, and CML Logic with “Universal” Low-Power HCSL Outputs”](#) for termination schemes for LVPECL, LVDS, CML and SSTL.

General SMBus Serial Interface Information

How to Write

- Controller (host) sends a start bit
- Controller (host) sends the write address
- Renesas clock will **acknowledge**
- Controller (host) sends the beginning byte location = N
- Renesas clock will **acknowledge**
- Controller (host) sends the byte count = X
- Renesas clock will **acknowledge**
- Controller (host) starts sending ByteN – ByteN + X -1
- Renesas clock will **acknowledge** each byte **one at a time**
- Controller (host) sends a stop bit

Index Block Write Operation		
Controller (Host)		Renesas (Slave/Receiver)
T	starT bit	
Slave Address		
WR	WRite	
		ACK
Beginning Byte = N		
		ACK
Data Byte Count = X		
		ACK
Beginning Byte N		
		ACK
O		X Byte
O		
O		
Byte N + X - 1		
		ACK
P	stoP bit	

How to Read

- Controller (host) will send a start bit
- Controller (host) sends the write address
- Renesas clock will **acknowledge**
- Controller (host) sends the beginning byte location = N
- Renesas clock will **acknowledge**
- Controller (host) will send a separate start bit
- Controller (host) sends the read address
- Renesas clock will **acknowledge**
- Renesas clock will send the data byte count = X
- Renesas clock sends ByteN + X - 1
- Renesas clock sends **Byte0 – ByteX (if X_(H) was written to Byte8)**
- Controller (host) will need to acknowledge each byte
- Controller (host) will send a not acknowledge bit
- Controller (host) will send a stop bit

Index Block Read Operation		
Controller (Host)		Renesas (Slave/Receiver)
T	starT bit	
Slave Address		
WR	WRite	
		ACK
Beginning Byte = N		
		ACK
RT	Repeat starT	
Slave Address		
RD	ReaD	
	X Byte	ACK
ACK		Data Byte Count=X
ACK		Beginning Byte N
		O
		O
		O
		O
		Byte N + X - 1
N	Not acknowledge	
P	stoP bit	

SMBus Table: Output Enable Register

Byte 0	Name	Control Function	Type	0	1	Default
Bit 7	Reserved					0
Bit 6	DIF_19_En	Output Enable	RW	Low/Low	Enable	1
Bit 5	DIF_18_En	Output Enable	RW	Low/Low	Enable	1
Bit 4	DIF_17_En	Output Enable	RW	Low/Low	Enable	1
Bit 3	DIF_16_En	Output Enable	RW	Low/Low	Enable	1
Bit 2	Reserved					0
Bit 1	Reserved					0
Bit 0	Reserved					0

SMBus Table: Output Enable Register

Byte 1	Name	Control Function	Type	0	1	Default
Bit 7	DIF_7_En	Output Enable	RW	Low/Low	Pin Control (See Byte 8, 9 or 10)	1
Bit 6	DIF_6_En	Output Enable	RW			1
Bit 5	DIF_5_En	Output Enable	RW			1
Bit 4	DIF_4_En	Output Enable	RW			1
Bit 3	DIF_3_En	Output Enable	RW			1
Bit 2	DIF_2_En	Output Enable	RW			1
Bit 1	DIF_1_En	Output Enable	RW			1
Bit 0	DIF_0_En	Output Enable	RW			1

SMBus Table: Output Enable Register

Byte 2	Name	Control Function	Type	0	1	Default
Bit 7	DIF_15_En	Output Enable	RW	Low/Low	Pin Control (See Byte 8, 9 or 10)	1
Bit 6	DIF_14_En	Output Enable	RW			1
Bit 5	DIF_13_En	Output Enable	RW			1
Bit 4	DIF_12_En	Output Enable	RW			1
Bit 3	DIF_11_En	Output Enable	RW			1
Bit 2	DIF_10_En	Output Enable	RW			1
Bit 1	DIF_9_En	Output Enable	RW			1
Bit 0	DIF_8_En	Output Enable	RW			1

SMBus Table: Reserved Register

Byte 3	Name	Control Function	Type	0	1	Default
Bit 7	RB_OE12	Real Time Readback of OE#12	R	OE# pin Low	OE# Pin High	Real-time
Bit 6	RB_OE11	Real Time Readback of OE#11	R			Real-time
Bit 5	RB_OE10	Real Time Readback of OE#10	R			Real-time
Bit 4	RB_OE9	Real Time Readback of OE#9	R			Real-time
Bit 3	RB_OE8	Real Time Readback of OE#8	R			Real-time
Bit 2	RB_OE7	Real Time Readback of OE#7	R			Real-time
Bit 1	RB_OE6	Real Time Readback of OE#6	R			Real-time
Bit 0	RB_OE5	Real Time Readback of OE#5	R			Real-time

Byte 4 is Reserved and reads back 0h00.

SMBus Table: Vendor & Revision ID Register

Byte 5	Name	Control Function	Type	0	1	Default
Bit 7	RID3	REVISION ID	R	B rev is 0001		0
Bit 6	RID2		R			0
Bit 5	RID1		R			x
Bit 4	RID0		R			x
Bit 3	VID3	VENDOR ID	R	Renesas/IDT		0
Bit 2	VID2		R			0
Bit 1	VID1		R			0
Bit 0	VID0		R			1

SMBus Table: Device ID

Byte 6	Name	Control Function	Type	0	1	Default
Bit 7	Device ID 7 (MSB)		R	2000 is C8		1
Bit 6	Device ID 6		R			1
Bit 5	Device ID 5		R			0
Bit 4	Device ID 4		R			0
Bit 3	Device ID 3		R			1
Bit 2	Device ID 2		R			0
Bit 1	Device ID 1		R			x
Bit 0	Device ID 0		R			0

SMBus Table: Byte Count Register

Byte 7	Name	Control Function	Type	0	1	Default
Bit 7	Reserved					0
Bit 6	Reserved					0
Bit 5	Reserved					0
Bit 4	BC4	Writing to this register configures how many bytes will be read back.	RW	Default value is 8 hex.		0
Bit 3	BC3		RW			1
Bit 2	BC2		RW			0
Bit 1	BC1		RW			0
Bit 0	BC0		RW			0

SMBus Table: OE Pin Configuration A Register

Byte8	Name	Control Function	Type	0	1	Default
Bit 7	OE12#_CFG A	Controls DIF_12	RW	Does not Control	Controls	1
Bit 6	OE11#_CFG A	Controls DIF_11	RW			1
Bit 5	OE10#_CFG A	Controls DIF_10	RW			1
Bit 4	OE09#_CFG A	Controls DIF_9	RW			1
Bit 3	OE08#_CFG A	Controls DIF_8	RW			1
Bit 2	OE07#_CFG A	Controls DIF_7	RW			1
Bit 1	OE06#_CFG A	Controls DIF_6	RW			1
Bit 0	OE05#_CFG A	Controls DIF_5	RW			1

SMBus Table: OE Pin Configuration B Register

Byte 9	Name	Control Function	Type	0	1	Default
Bit 7	OE12#_CFG B	Controls DIF_13	RW	Does not Control	Controls	0
Bit 6	OE11#_CFG B	Controls DIF_14	RW			0
Bit 5	OE10#_CFG B	Controls DIF_15	RW			0
Bit 4	OE09#_CFG B	Controls DIF_0	RW			0
Bit 3	OE08#_CFG B	Controls DIF_1	RW			0
Bit 2	OE07#_CFG B	Controls DIF_2	RW			0
Bit 1	OE06#_CFG B	Controls DIF_3	RW			0
Bit 0	OE05#_CFG B	Controls DIF_4	RW			0

SMBus Table: OE Pin Configuration C and Output Amplitude Register

Byte 10	Name	Control Function	Type	0	1	Default
Bit 7	OE12#_CFG	Controls DIF_16		Does not Control	Controls	0
Bit 6	OE11#_CFG	Controls DIF_17				0
Bit 5	OE10#_CFG	Controls DIF_18				0
Bit 4	OE09#_CFG	Controls DIF_19				0
Bit 3	Reserved					0
Bit 2	AMP[2]	Global Differential Output Control	RW	0.3V–1V 100mV/step Default = 0.8V	1	
Bit 1	AMP[1]		RW		0	
Bit 0	AMP[0]		RW		1	

Bytes 11–20 are Reserved.

SMBus Table: PD_RESTORE

Byte 21	Name	Control Function	Type	0	1	Default
Bit 7	Reserved					0
Bit 6	Reserved					0
Bit 5	Reserved					0
Bit 4	Reserved					0
Bit 3	PD_RESTORE#	Save Configuration in Power Down	RW	Config Cleared	Config Saved	1
Bit 2	Reserved					0
Bit 1	Reserved					0
Bit 0	Reserved					0

Package Outline Drawings

The package outline drawings are located at the end of this document and are accessible from the Renesas website (see [Ordering Information](#) for POD links). The package information is the most current data available and is subject to change without revision of this document.

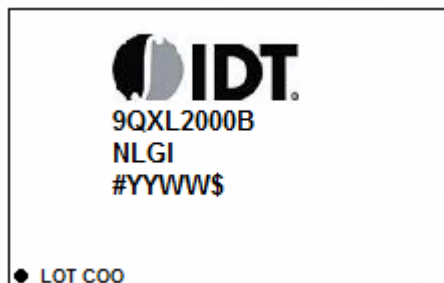
Ordering Information

Orderable Part Number	Package	Carrier Type	Temperature
9QXL2000BNLGI	10 x 10 mm, 0.50mm pitch 72-VFQFPN	Trays	-40°C to +85°C
9QXL2000BNLGI8	10 x 10 mm, 0.50mm pitch 72-VFQFPN	Reel	-40°C to +85°C

“G” designates PB-free configuration, RoHS compliant.

“B” is the device revision designator (will not correlate with the datasheet revision).

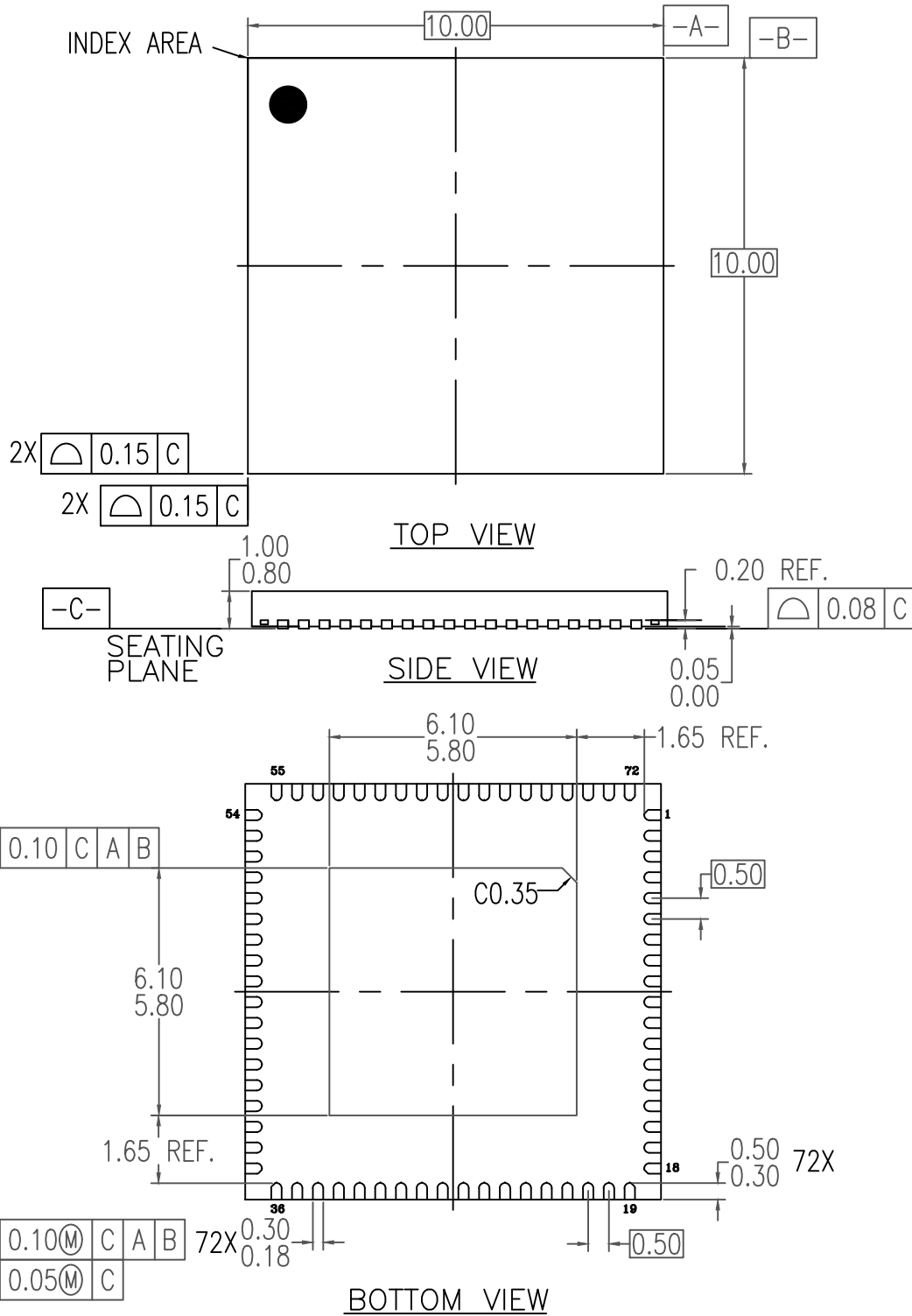
Marking Diagram



- Lines 2 and 3: part number
 - “I” denotes industrial temperature range
- Line 4:
 - “#” denotes the stepping number.
 - “YYWW” denotes the last two digits of the year and work-week the part was assembled.
 - “\$” denotes the mark code.
- “LOT” denotes the lot number.
- “COO” denotes country of origin.

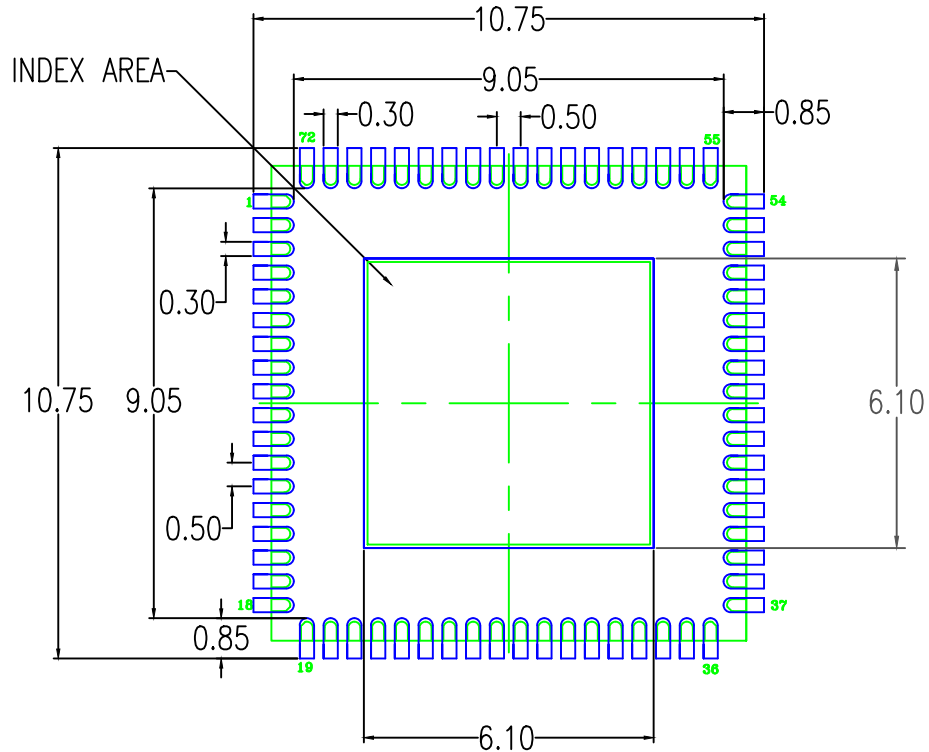
Revision History

Revision Date	Description of Change
March 9, 2022	Updated front page description.
June 10, 2021	<ul style="list-style-type: none"> ▪ Removed bytes 11–20 and noted them as reserved.
May 8, 2020	<ul style="list-style-type: none"> ▪ Added $t_{PDVARIATION}$ specification to Table 7. Footnote 3 updated and footnote 8 added. ▪ “Slew Rate Matching” changed to “Rise/Fall Matching” in Table 8.
February 22, 2019	Updated Test Loads length (L) parameter.
February 15, 2019	Initial release.



NOTES:

1. ALL DIMENSIONING AND TOLERANCING CONFORM TO ANSI Y14.5M-1994
2. ALL DIMENSIONS ARE IN MILLIMETERS.
3. INDEX AREA (PIN1 IDENTIFIER)



RECOMMENDED LAND PATTERN DIMENSION

NOTES:

1. ALL DIMENSIONS ARE IN MM. ANGLES IN DEGREES.
2. TOP DOWN VIEW. AS VIEWED ON PCB.
3. COMPONENT OUTLINE SHOWS FOR REFERENCE IN GREEN.
4. LAND PATTERN IN BLUE. NSMD PATTERN ASSUMED.
5. LAND PATTERN RECOMMENDATION PER IPC-7351B GENERIC REQUIREMENT FOR SURFACE MOUNT DESIGN AND LAND PATTERN.

Package Revision History		
Date Created	Rev No.	Description
Sept 3, 2019	Rev 03	Update P1 Dimension from 5.8 to 5.95 mm SQ
May 8, 2017	Rev 02	Change Package Code QFN to VFQFPN