



# 80×80×25 mm

San Ace 80WF 9WF type

## General Specifications

- Material ..... Frame: Plastic (Flammability: UL 94V-0), Impeller: Plastic (Flammability: UL 94V-0)
- Expected life ..... See the table below. (L10 life: 90% survival rate for continuous operation in free air at 60°C, rated voltage)
- Motor protection function ..... Locked rotor burnout protection, Reverse polarity protection  
For details, please refer to p. 547.
- Dielectric strength ..... 50/60 Hz, 500 VAC, for 1 minute (between lead wire conductors and frame)
- Insulation resistance ..... 10 MΩ or more with a 500 VDC megger (between lead wire conductors and frame)
- Sound pressure level (SPL) ..... At 1 m away from the air inlet
- Storage temperature ..... -30 to +70°C (Non-condensing)
- Lead wire ..... ⊕Red ⊖Black (Sensor) Yellow
- Mass ..... 130 g

This fan can be used in environments with oil mist.\*

\* Environment where cutting oil creates oil mist. Conduct a product evaluation with the type of oil to be used.

## Specifications

The models listed below **have ribs and pulse sensors.**

Model no.	Rated voltage [V]	Operating voltage range [V]	Rated current [A]	Rated input [W]	Rated speed [min <sup>-1</sup> ]	Max. airflow [m <sup>3</sup> /min] [CFM]	Max. static pressure [Pa] [inchH <sub>2</sub> O]	SPL [dB (A)]	Operating temperature [°C]	Expected life [h]
<b>9WF0824S401</b>	24	20.4 to 27.6	0.16	3.84	4000	1.2 42.4	58 0.23	38	-20 to +70	40000/60°C

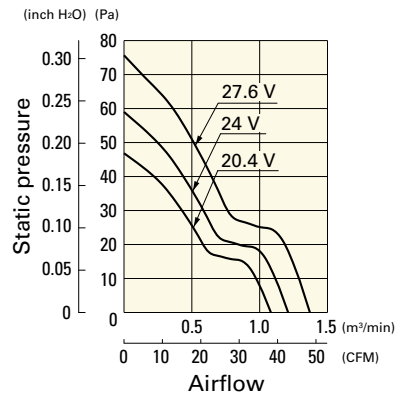
The following sensor and control options are available for selection.

Available for all models. **Without sensor** **Lock sensor**

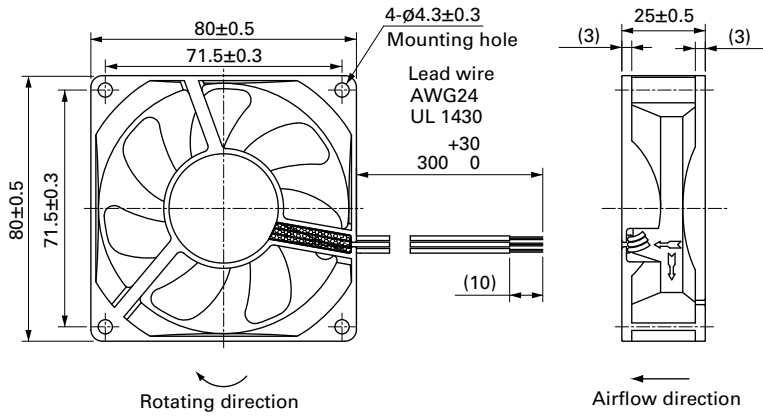
## Airflow - Static Pressure Characteristics

**9WF0824S401** With pulse sensor

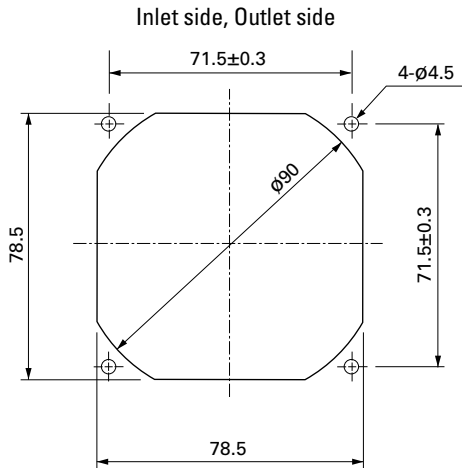
Operating voltage range



## ■ Dimensions (unit: mm)



## ■ Reference Dimensions of Mounting Holes and Vent Opening (unit: mm)



## ■ Options

Finger guards

page: p. 532

Model no.: 109-049E, 109-049H, 109-049C