

Amphenol

Advanced Sensors

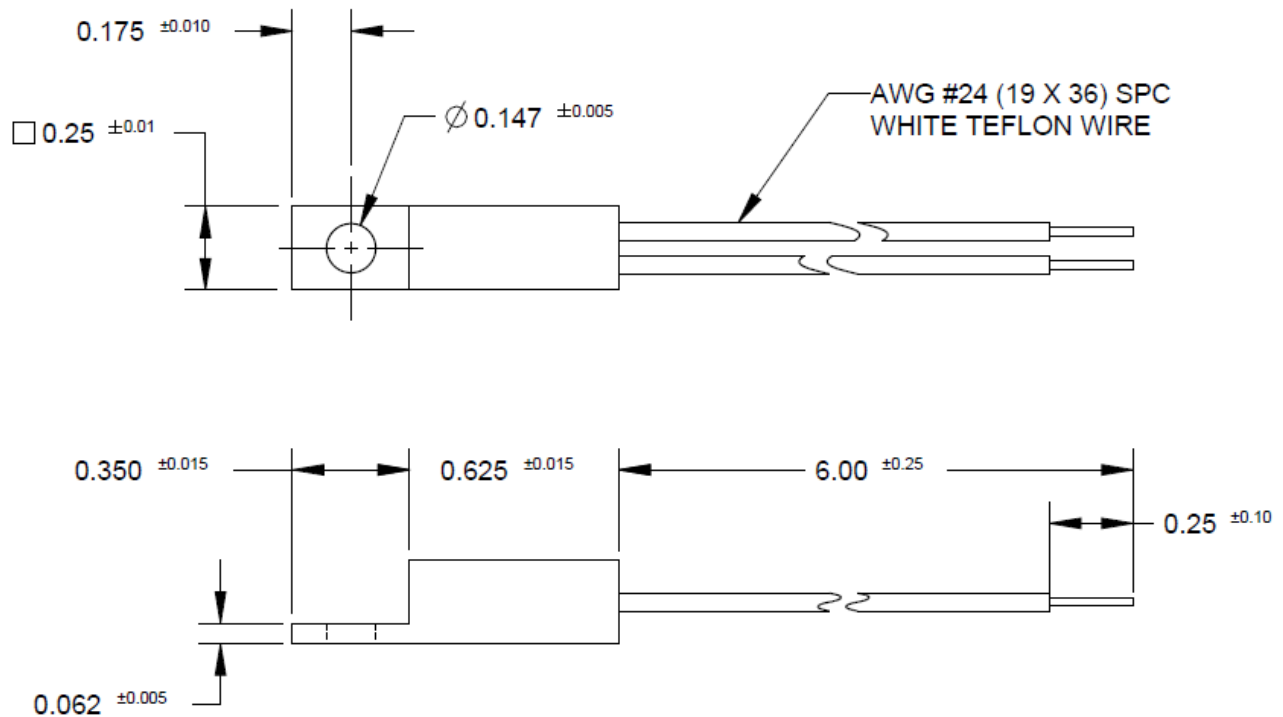
THERMISTOR SPECIFICATION NTC THERMISTOR TYPE: A-850	Originated by: S. Schneider THM Ref. No. 13944100	PAGE 1 of 1 DATE: 02/25/2015
CUSTOMER: Catalog	CUSTOMER SPECIFICATION No. N/A	

DESCRIPTION: Radial Leaded Disc Potted into Aluminum Tab Housing

ELECTRICAL SPECIFICATION

Resistance specification: 10000 Ω \pm 10% at 25°C (9000 - 11000)
 β value 25/85: 4073K
 Temperature Range: -40°C to 125°C

OUTLINE DRAWING



DIMENSIONS ARE IN INCHES
 (NOT TO SCALE)