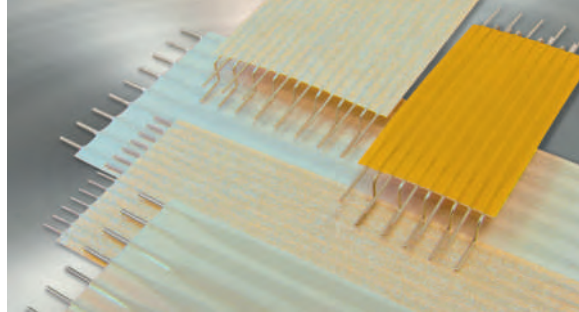


PANTA FIX JUMPER



TECHNOLOGY

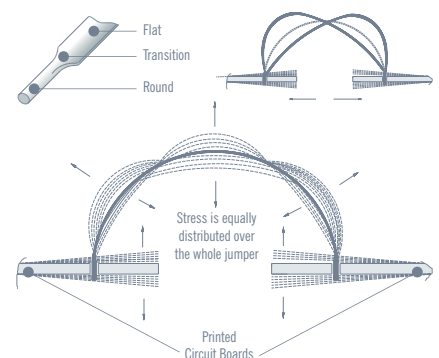
PANTA FIX JUMPERS are highly flexible flat conductor connectors. Solid round conductors ensure fast and safe assembly. The PANTA round-flat-round technology combines both: The copper conductors are rolled flat to a defined geometry in the insulating area. Ensuring the highest standards of vibration and bending resistance. The smooth notch-free transition from round to flat guarantees fracture-safe connection points.

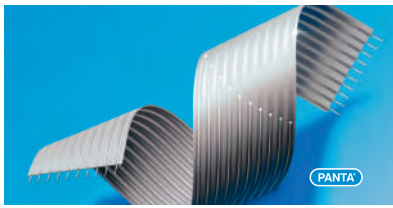
BENEFITS

- ▶ High vibration and bending resistance
- ▶ Reliable and fracture-safe connection
- ▶ Very easy handling
- ▶ Immediately ready for installation
- ▶ Economizes working time and assembly costs
- ▶ Minimum space required
- ▶ High productivity by simultaneous soldering of all connection points in the solder bath
- ▶ Wiring errors are avoided
- ▶ Choice of various termination styles
- ▶ Allows combination with male connectors
- ▶ High-quality insulation materials (-40°C to +125 °C)
- ▶ Different pitches within one jumper available (MIX)
- ▶ Short insulation lengths also available as wire jumpers (without the flat rolled copper conductor end)

CHARACTERISTICS

- ▶ High vibration and bending resistance
- ▶ Smooth notch-free transition from flat to round
- ▶ Fracture-safe connection point
- ▶ Compensation of intrinsic vibrations
- ▶ Avoidance of vibration resonances



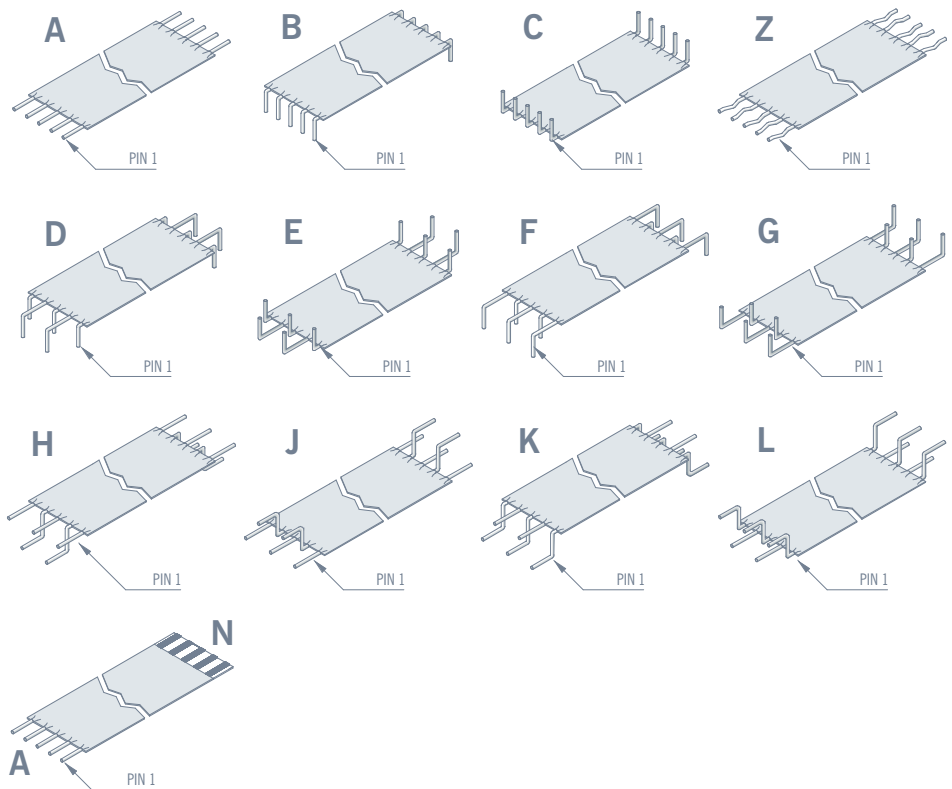


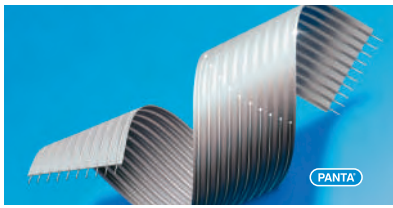
PANTA FIX JUMPER

ORDER CODE

Pitch e.g. A=2.54 mm See pitch code	Insulation material e.g. P = Polyester N = Nomex E = PEN K = Polyimide	Termination style e.g. A = identical ends AN = different (see chart, combinations on request)
A 05	- N 051	- A - <input type="checkbox"/>
Number of pins	Insulation length from 15-999 mm Special lengths on request	Special designs on request, drawing required

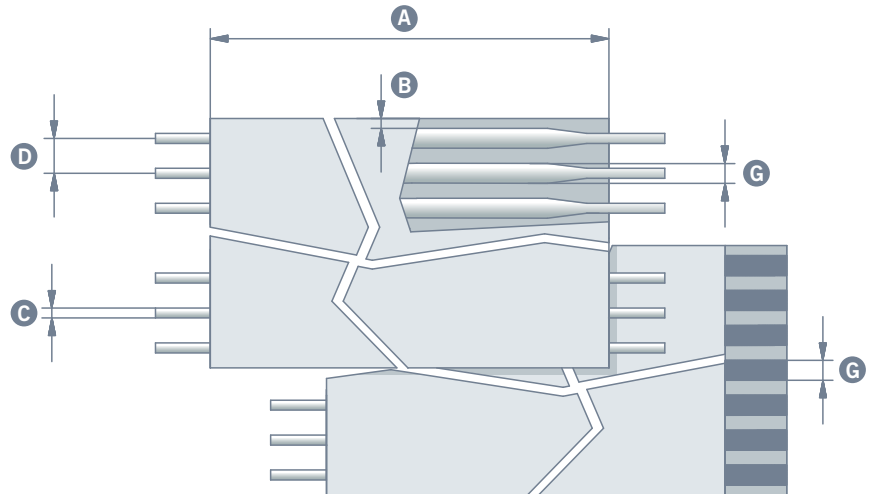
TERMINATION STYLES





PANTA FIX JUMPER

TECHNICAL DATA



Order code		U	E	G	B	L	D	F	A	Z	P	R	C
D Pitch	mm	0.8	1.00	1.25	1.27	1.90	2.00	2.50	2.54	3.18	3.5	3.81	5.08
Max. number of pins		32	32	32	32	32	32	32	32	25	23	20	16
A Length	mm	15-999											
B Min. margin	mm	0.3	0.3	0.3	0.3	0.3	0.3	0.3	0.3	0.3	0.3	0.5	0.5
C Pin diameter	mm	0.254	0.32	0.32	0.32	0.40	0.40	0.51	0.51	0.51	0.51	0.51	0.51
American Wire Gauge	AWG	30	28	28	28	26	26	24	24	24	24	24	24
G Flat conductor width	mm	0.5	0.7	0.75	0.75	1.35	1.35	1.5	1.5	1.5	1.5	1.5	1.5
Flat conductor thickness	μm	90	90	100	100	110	110	120	120	120	120	120	120
Conductor material		Cu acc. to DIN 40500; min. 1.5 μm tin-plated						2-3 μm matt tin-plated					
Current rating at 20°C	A	0.5	1.0	1.5	1.5	2.0	2.0	3.0	3.0	3.0	3.0	3.0	3.5
Voltage rating	V _{DC}	80	200	200	200	200	200	300	300	300	300	300	300
Dielectric strength	V _{DC} /min	200	700	1100	1100	1500	1500	1500	1500	1500	1500	1500	1500

Insulation		Polyester	Nomex	PEN	Polyimide
With Pitch	mm	2,54			
American Wire Gauge	AWG	24			
Insulation resistance (grd-sig-grd)	Ω	>10 ¹⁰			
Operating temperature	°C	-40 ... +105	-40 ... +125	-40 ... +125	-40 ... +125
Soldering temperature	°C/sec	250/4	260/5	260/5	260/5