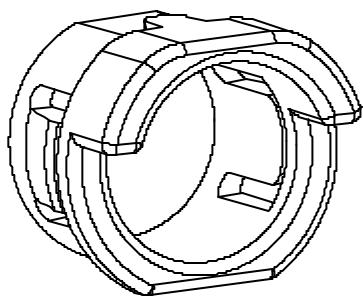
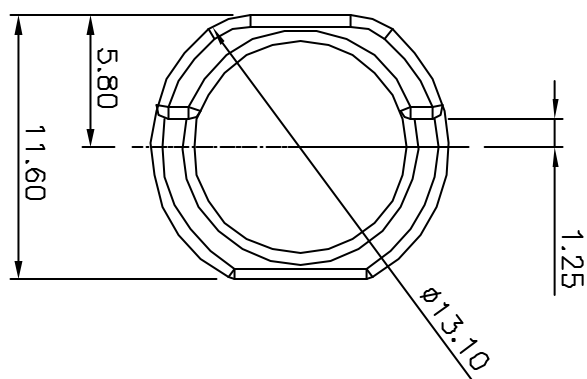
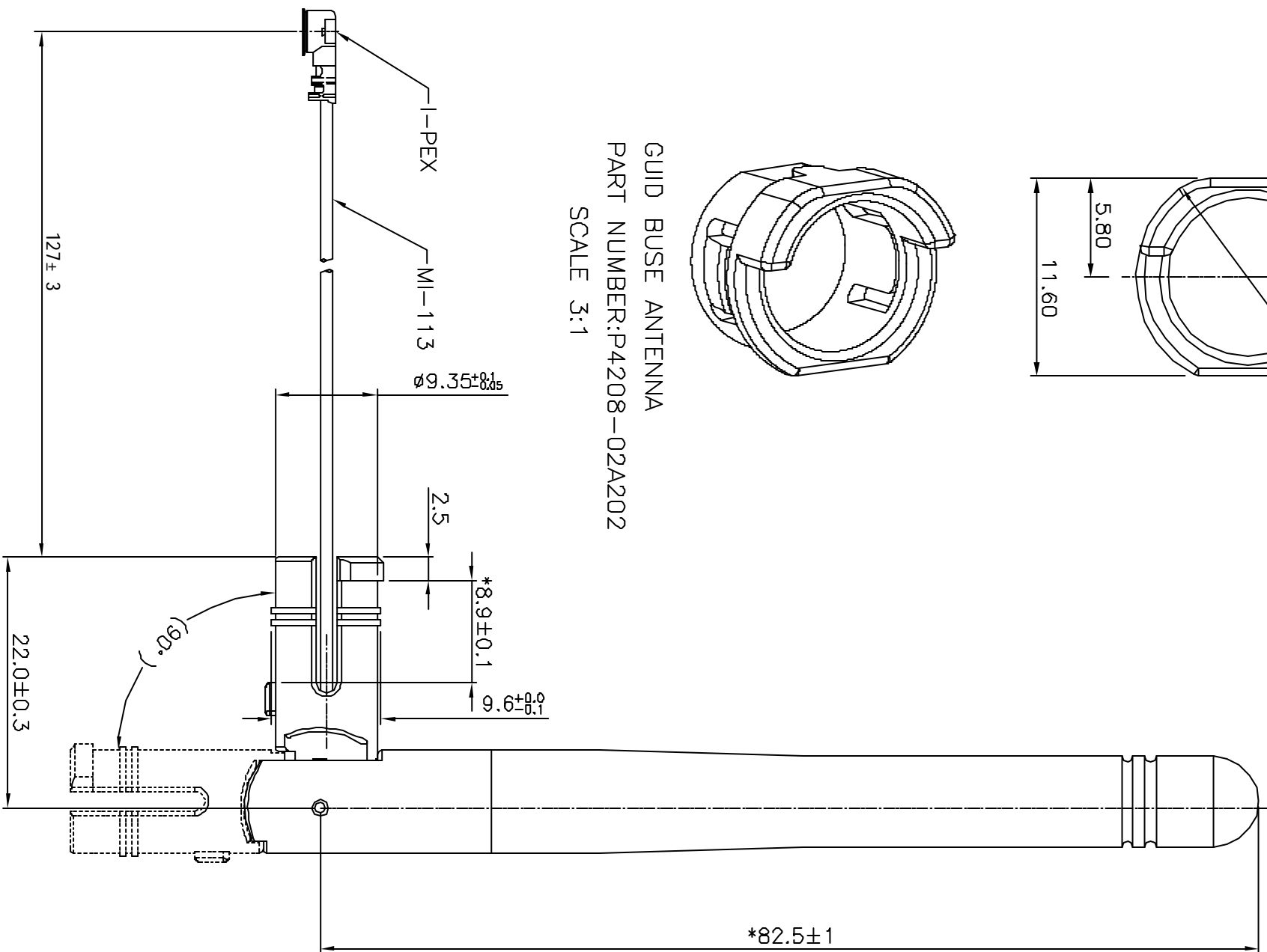


REVISION RECORD				
REV	ECC	DESCRIPTION	DRFT	CHKD



GUID BUSE ANTENNA  
PART NUMBER:P4208-02A202  
SCALE 3:1



NOTE:

ELECTRICAL PROPERTIES

- DESCRIPTION : 1/4λ SWVEL TYPE DIPOLE ANTENNA  
                  φ9.3x82.5+MI-113+I-PEX
- FREQUENCY : 2400~2500MHz
- IMPEDANCE : 50 Ohms nominal
- V.S.W.R. : 2.0 max. IN BAND
- GAIN : 1.14~2.14dbi, VERTICAL DIRECTION
- ADMITTED POWER RADIATION : 1W
- TYPE OF RADIATION : TOROIDAL
- POLARIZATION : VERTICAL
- ELECTRICAL LENGTH : 1/4 λ, DIPOLE
- RADIATION : 0 mni

MECHANICAL PROPERTIES

- CABLE : MI-113, 50ohm
- OPERATING TEMPERATURE RANGE : -20°C~+70°C
- STORAGE TEMPERATURE RANGE : -20°C~+70°C
- ANTENNA COVER : TPE
- ANTENNA BASE :PBT+PC
- COLOR : BLACK

PART NUMBER : E421G-241270101

PS:BAG LABEL:A24-HABUF-P5I

DETACHED LISTS			
MM	DATE	DATE	DATE
TOLERANCES EXCEPT AS NOTED	CHKD	DATE	10/26/05
.0 ± 0.15	MPD	DATE	
.00 ± 0.075	APPL	DATE	
.000 ± 0.05	MATERIAL :		
ANGLES ± 0.5	QTY :		
THIRD ANGLE PROJECTION	FINISH :		
	SCALE : 2:1		
TITLE		FULL RISE ELECTRONIC CO., LTD	
ANTENNA 2.4G (two rings)+CABLE		DRAWING NO. GE423C82	
		/PART NO. SEE NOTE	
		DO NOT SCALE DRAWING	
		SIZE	REV
		A3	0
		SHEET	1 OF 1

8 7 6 5 4 3 2 1