

ebm-papst Mulfingen GmbH & Co. KG

Bachmühle 2

74673 Mulfingen

Phone: +49 7938 81-0

Fax: +49 7938 81-110

www.ebmpapst.com

info1@de.ebmpapst.com

Nominal data

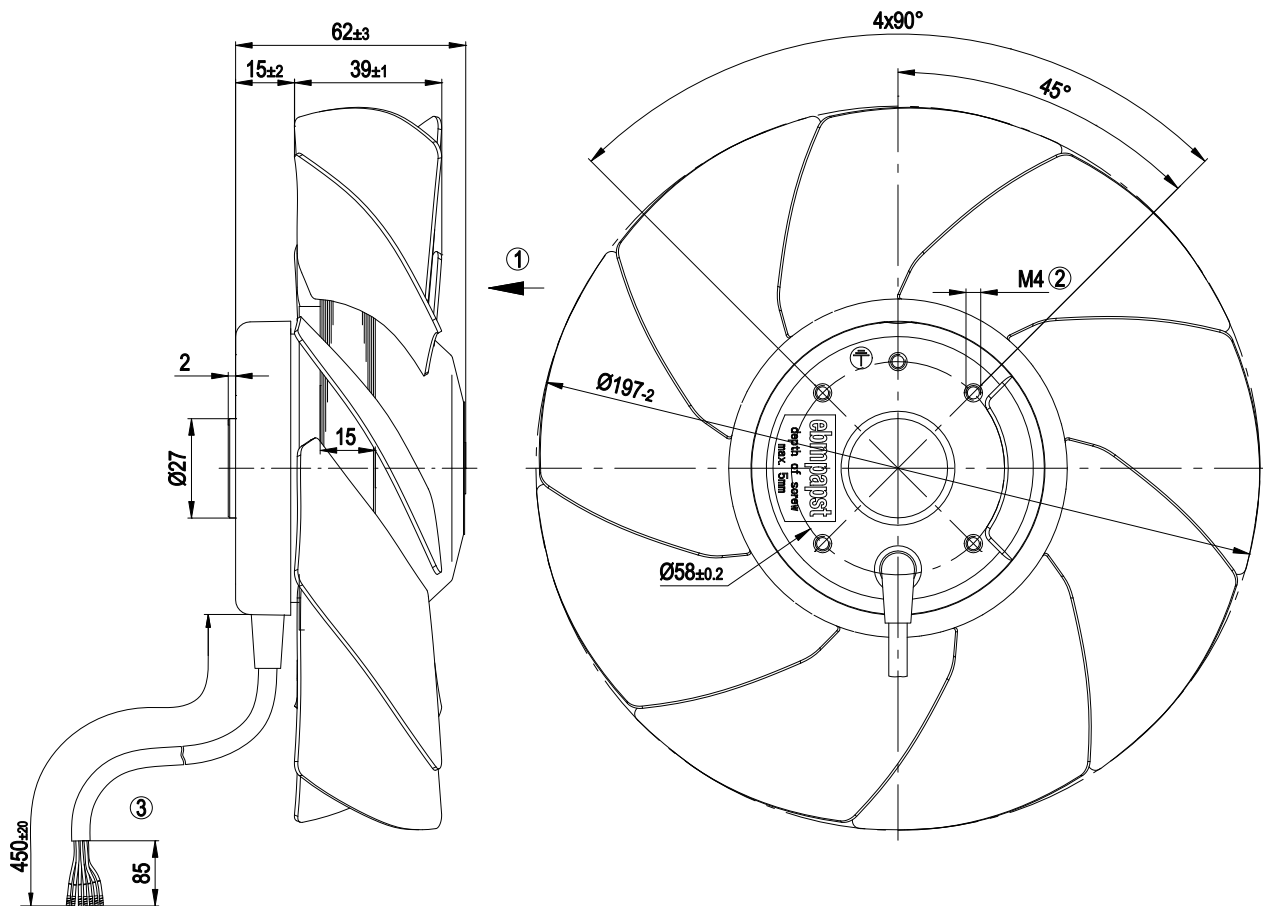
| | | | |
|-------------------------------|-----------------------|------|------|
| Type | A2D200-AH18-01 | | |
| Motor | M2D068-BC | | |
| Phase | | 3~ | 3~ |
| Nominal voltage | [V] | 400 | 400 |
| Connection | | Y | Y |
| Frequency | [Hz] | 50 | 60 |
| Type of data definition | | rfa | rfa |
| Valid for approval / standard | | CE | CE |
| Speed | [min ⁻¹] | 2600 | 2900 |
| Power input | [W] | 68 | 70 |
| Current draw | [A] | 0.17 | 0.13 |
| Max. back pressure | [Pa] | 140 | 140 |
| Max. ambient temperature | [°C] | 45 | 70 |

ml = max. load · me = max. efficiency · rfa = running at free air · cs = customer specs · cu = customer unit
Subject to alterations

Technical features

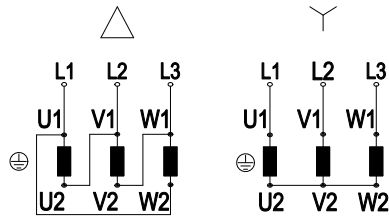
| | |
|---|--|
| Leakage current | < 0.75 mA |
| Size | 200 mm |
| Operation mode | S1 |
| Direction of rotation | Counter-clockwise, seen on rotor |
| Mounting position | Shaft horizontal or rotor on bottom; rotor on top on request |
| Humidity class | F1-2 |
| Direction of air flow | "V" |
| Insulation class | "B" |
| Cable exit | Lateral |
| Condensate discharge holes | Rotor-side |
| Bearing motor | Ball bearing |
| Mass | 1.6 kg |
| Material of blades | Sheet steel, coated in black |
| Product conforming to standard | EN 60335-1 |
| Surface of rotor | Coated in black |
| Number of blades | 9 |
| Type of protection | IP 44 |
| Protection class | I |
| Max. permissible ambient motor temp. (transp./ storage) | + 80 °C |
| Min. permissible ambient motor temp. (transp./storage) | - 40 °C |
| Approval | CCC |

Product drawing



| | |
|---|--|
| 1 | Direction of air flow "V" |
| 2 | Depth of screw max. 5 mm |
| 3 | Connection line PVC 7G 0.5mm ² , 7x brass lead tips crimped |

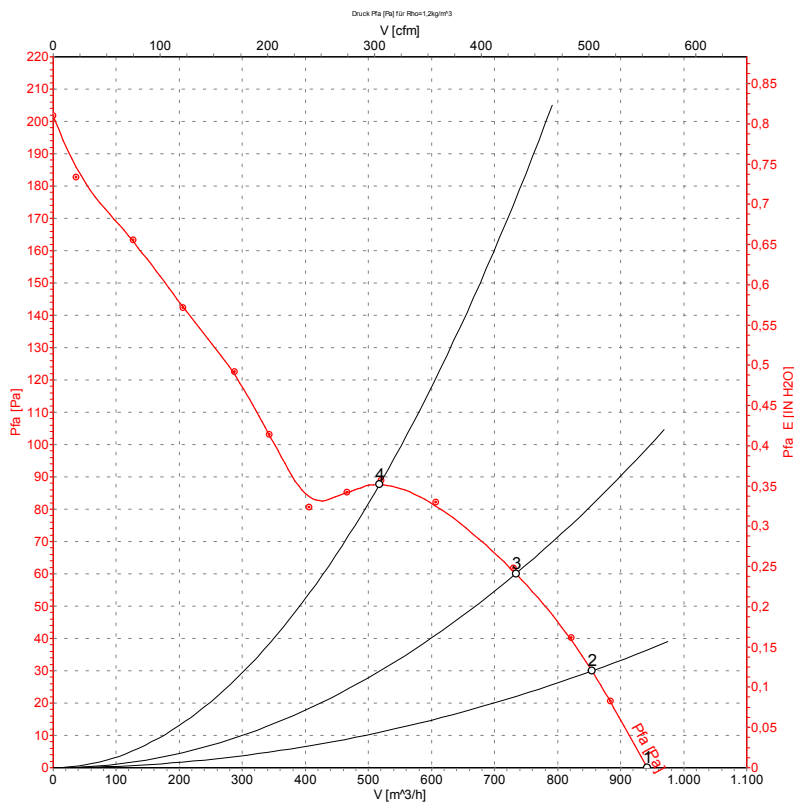
Connection screen



Note: Direction of rotation changes when two phases are reversed

| | | | | | |
|----------|------------------|----|-----------------|----|-------|
| Δ | Delta connection | Y | Star connection | L1 | black |
| L2 | blue | L3 | brown | U1 | black |
| V1 | blue | W1 | brown | U2 | green |
| V2 | white | W2 | yellow | | |

Charts: Air flow 50 Hz



Measurement: LU-26980

Measured values

| | U | f | n | P ₁ | I | \hat{V} | P _{fa} |
|---|-----|------|----------------------|----------------|------|-----------|-----------------|
| | [V] | [Hz] | [min ⁻¹] | [W] | [A] | [m³/h] | [Pa] |
| 1 | 400 | 50 | 2600 | 68 | 0.17 | 940 | 0 |
| 2 | 400 | 50 | 2550 | 69 | 0.17 | 855 | 30 |
| 3 | 400 | 50 | 2500 | 72 | 0.17 | 735 | 61 |
| 4 | 400 | 50 | 2460 | 75 | 0.17 | 515 | 89 |