

AC axial fan

straight blades (A series)



ebm-papst Mulfingen GmbH & Co. KG

Bachmühle 2
74673 Mulfingen
Phone: +49 7938 81-0
Fax: +49 7938 81-110
www.ebmpapst.com
info1@de.ebmpapst.com

Nominal data

Type	A2D300-AD02-02				
Motor	M2D068-EC				
Phase		3~	3~	3~	3~
Nominal voltage	[V]	230	230	400	400
Connection		D	D	Y	Y
Frequency	[Hz]	50	60	50	60
Type of data definition		rfa	rfa	rfa	rfa
Valid for approval / standard		CE	CE	CE	CE
Speed	[min ⁻¹]	2650	2800	2650	2800
Power input	[W]	180	270	180	270
Current draw	[A]	0,54	0.71	0.31	0.41
Max. back pressure	[Pa]	150	100	150	100
Max. ambient temperature	[°C]	60	35	60	35
Air flow	[m ³ /h]	2760	2940	2760	2940
Back pressure	[Pa]	0	0	0	0
Sound pressure level	[dB(A)]	76	77	76	77

ml = max. load · me = max. efficiency · rfa = running at free air · cs = customer specs · cu = customer unit
Subject to alterations

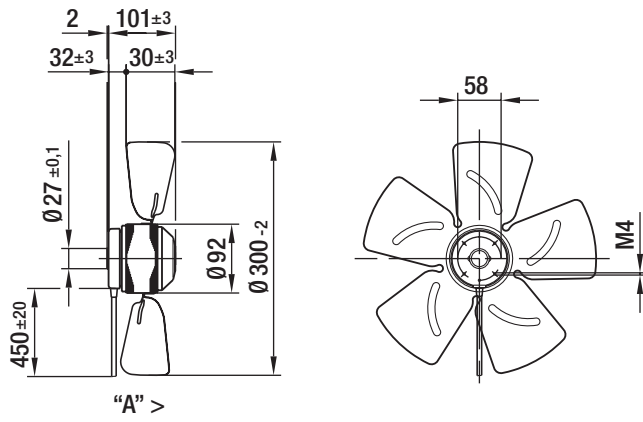
AC axial fan

straight blades (A series)

Technical features

Size	300 mm
Operation mode	Continuous operation (S1)
Direction of rotation	Clockwise, seen on rotor
Direction of air flow	"A"
Insulation class	"B"
Cable exit	Lateral
Bearing motor	Ball bearing
Mass	2.7 kg
Material of impeller	Sheet steel, coated in black
Number of blades	5
Type of protection	IP 44 - depending on position
Protection class	I
Approval	CCC

Product drawing

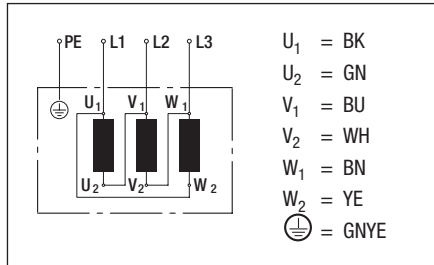


AC axial fan

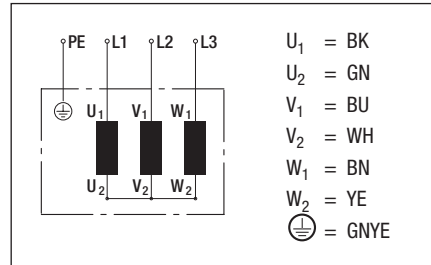
straight blades (A series)

Connection screen

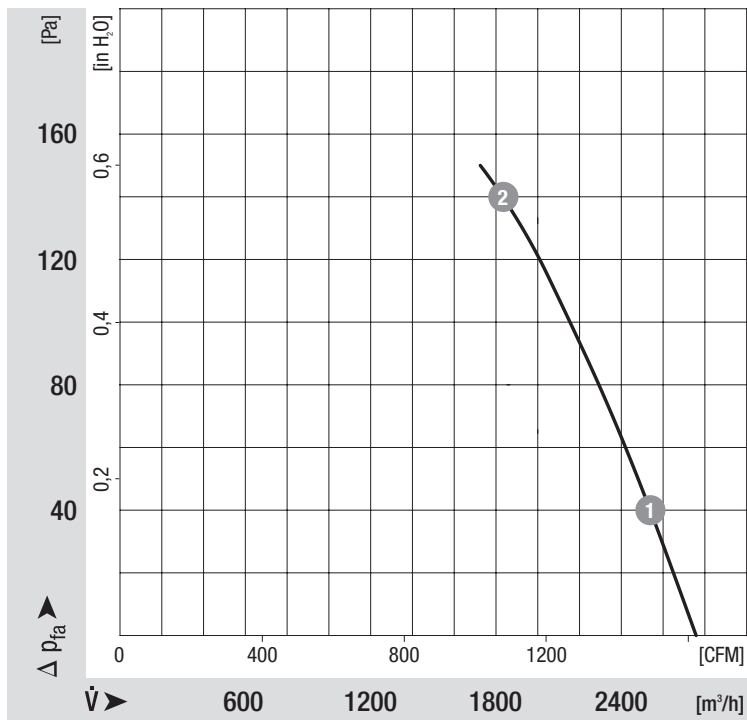
Delta (3~ 230 VAC)



Star (3~ 400 VAC)



Charts: Air flow 50 Hz



Measured values

	n	P ₁	I
	[min ⁻¹]	[W]	[A]
1	2610	190	0.32
2	2535	220	0.35